

TPS65150 Low Input Voltage, Compact LCD Bias IC With VCOM Buffer

1 Features

- 1.8-V to 6-V Input Voltage Range
- Integrated VCOM Buffer
- High-voltage Switch to Isolate $V_{(VGH)}$
- Gate-Voltage Shaping of $V_{(VGH)}$
- 2-A Internal MOSFET switch
- Main Output $V_{(VS)}$ up to 15 V With <1% Output Voltage Accuracy
- Virtual-Synchronous Converter Technology
- Regulated Negative Charge Pump Driver $V_{(VGL)}$
- Regulated Positive Charge Pump Driver $V_{(CPI)}$
- Adjustable Power-On Sequencing
- Adjustable Fault Detection Timing
- Gate Drive Signal for External Isolation MOSFET
- Out-of-Regulation Protection
- Overvoltage Protection
- Thermal Shutdown
- Available in HTSSOP-24 Package
- Available in VQFN-24 Package

2 Applications

- TFT LCD Displays for Notebooks
- TFT LCD Displays for Monitors
- Car Navigation Displays

3 Description

The TPS65150 device offers a very compact and small power supply solution that provides all three voltages required by thin film transistor (TFT) LCD displays. With an input voltage range of 1.8 V to 6 V the device is ideal for notebooks powered by a 2.5-V or 3.3-V input rail or monitor applications with a 5-V input voltage rail. Additionally the TPS65150 device provides an integrated high current buffer to provide the VCOM voltage for the TFT backplane.

Two regulated adjustable charge pump driver provide the positive $V_{(VGH)}$ and negative $V_{(VGL)}$ bias voltages for the TFT. The device incorporates adjustable power-on sequencing for $V_{(VGL)}$ as well as for $V_{(VGH)}$. This avoids any additional external components to implement application specific sequencing. The device has an integrated high-voltage switch to isolate $V_{(VGH)}$.

The same internal circuit can also be used to provide a gate shaping signal of $V_{(VGH)}$ for the LCD panel controlled by the signal applied to the CTRL input. For highest safety, the TPS65150 device has an integrated adjustable shutdown latch feature, which allows application-specific flexibility. The device monitors the outputs ($V_{(VS)}$, $V_{(VGL)}$, $V_{(VGH)}$); and, as soon as one of the outputs falls below its power good threshold, the device enters shutdown latch, after its adjustable delay time has passed by.

Device Information⁽¹⁾

PART NUMBER	PACKAGE	BODY SIZE (NOM)
TPS65150	HTSSOP (24)	7.80 mm × 4.40 mm
	VQFN (24)	4.00 mm × 4.00 mm

(1) For all available packages, see the orderable addendum at the end of the data sheet.

Block Diagram

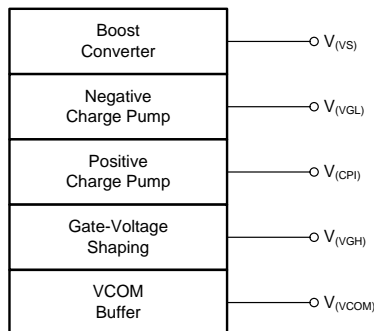


Table of Contents

1 Features	1	7.4 Device Functional Modes.....	21
2 Applications	1	8 Application and Implementation	23
3 Description	1	8.1 Application Information.....	23
4 Revision History	2	8.2 Typical Application	23
5 Pin Configuration and Functions	3	8.3 System Examples	32
6 Specifications	4	9 Power Supply Recommendations	35
6.1 Absolute Maximum Ratings	4	10 Layout	35
6.2 ESD Ratings.....	4	10.1 Layout Guidelines	35
6.3 Recommended Operating Conditions.....	5	10.2 Layout Example	36
6.4 Thermal Information	5	11 Device and Documentation Support	37
6.5 Electrical Characteristics.....	5	11.1 Device Support.....	37
6.6 Switching Characteristics	7	11.2 Community Resources.....	37
6.7 Typical Characteristics	8	11.3 Trademarks	37
7 Detailed Description	10	11.4 Electrostatic Discharge Caution.....	37
7.1 Overview	10	11.5 Glossary	37
7.2 Functional Block Diagram	11	12 Mechanical, Packaging, and Orderable Information	37
7.3 Feature Description.....	12		

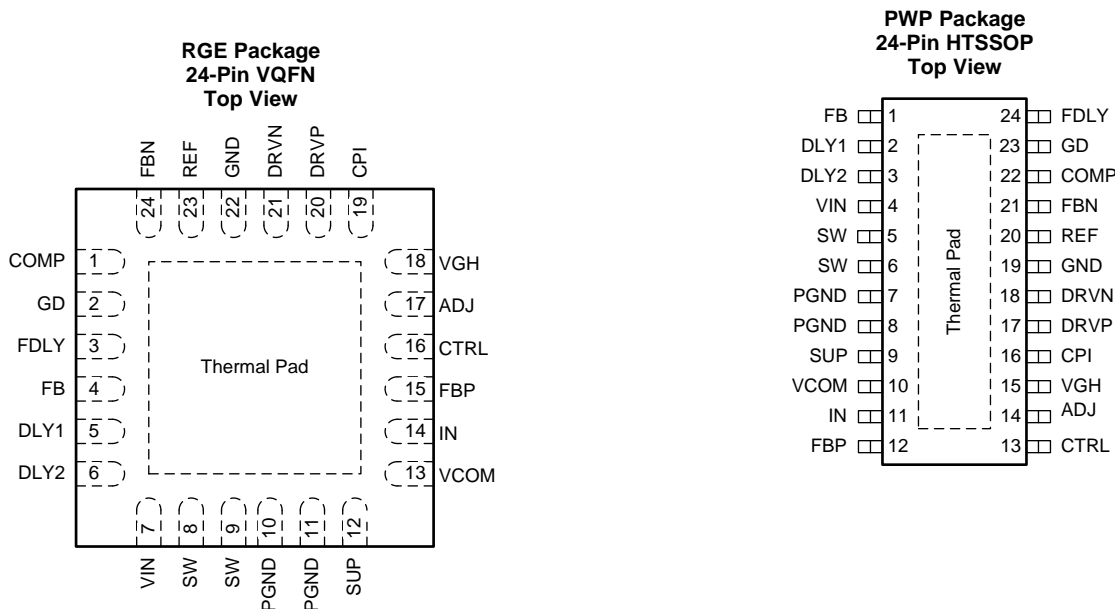
4 Revision History

NOTE: Page numbers for previous revisions may differ from page numbers in the current version.

Changes from Revision A (March 2015) to Revision B	Page
• Changed text in <i>Negative Charge Pump Diodes</i> section	16
• Changed text in <i>Positive Charge Pump Diodes</i> section.....	18
• Changed text in <i>Choosing the Diodes</i> and <i>Choosing the Flying Capacitance</i> sections	27
• Changed text in <i>Choosing the Diodes</i> section	28
• Changed <i>Figure 37</i> image.....	36

Changes from Original (September 2005) to Revision A	Page
• Added <i>ESD Ratings</i> table, <i>Feature Description</i> section, <i>Device Functional Modes</i> , <i>Application and Implementation</i> section, <i>Power Supply Recommendations</i> section, <i>Layout</i> section, <i>Device and Documentation Support</i> section, and <i>Mechanical, Packaging, and Orderable Information</i> section	1

5 Pin Configuration and Functions



Pin Functions

NAME	PIN		I/O	DESCRIPTION
	VQFN	HTSSOP		
ADJ	17	14	I/O	Gate voltage shaping circuit. Connecting a capacitor to this pin sets the fall time of the positive gate voltage $V_{(VGH)}$.
COMP	1	22	O	This is the compensation pin for the main boost converter. A small capacitor and if required a series resistor is connected to this pin.
CPI	19	16	I	Input of the VGH isolation switch and gate voltage shaping circuit.
CTRL	16	13	I	Control signal for the gate voltage shaping signal. Apply the control signal for the gate voltage control. Usually the timing controller of the LCD panel generates this signal. If this function is not required, this pin must be connected to V_I . By doing this, the internal switch between CPI and VGH provides isolation for the positive charge pump output $V_{(VGH)}$. DLY2 sets the delay time for $V_{(VGH)}$ to come up.
DLY1	5	2	I/O	Power-on sequencing adjust. Connecting a capacitor from this pin to ground allows to set the delay time between the boost converter output $V_{(VS)}$ and the negative charge pump $V_{(VGL)}$ during start-up.
DLY2	6	3	I/O	Power-on sequencing adjust. Connecting a capacitor from this pin to ground allows to set the delay time between the negative charge pump $V_{(VGL)}$ and the positive charge pump during start-up. Note that Q5 in the gate voltage shaping block only turns on when the positive charge pump is within regulation. (This provides input-output isolation of $V_{(VGH)}$).
DRVN	21	18	I/O	Negative charge pump driver.
DRVP	20	17	I/O	Positive charge pump driver.
FB	4	1	I	Boost converter feedback sense input.
FBN	24	21	I	Negative charge pump feedback sense input.
FBP	15	12	I	Positive charge pump feedback sense input.
FDLY	3	24	I/O	Fault delay. Connecting a capacitor from this pin to V_I sets the delay time from the point when one or more of the of the outputs $V_{(VS)}$, $V_{(VGH)}$, $V_{(VGL)}$ drops below its power good threshold until the device shuts down. To restart the device, the input voltage must be cycled to ground. This feature can be disabled by connecting the FDLY pin to V_I .
GD	2	23	I	Active-low, open-drain output. This output is latched low when the boost converter output is in regulation. This signal can be used to drive an external MOSFET to provide isolation for $V_{(VS)}$.
GND	22	19		Analog ground.

Pin Functions (continued)

PIN			I/O	DESCRIPTION
NAME	VQFN	HTSSOP		
IN	14	11	I	Input of the VCOM buffer. If this pin is connected to ground, the VCOM buffer is disabled.
PGND	10, 11	7, 8		Power ground.
REF	23	20	O	Internal reference output, typically 1.213 V.
SUP	12	9	I/O	Supply pin of the positive, negative charge pump and boost converter gate drive circuit. This pin should be connected to the output of the main boost converter.
SW	8, 9	5, 6	I	Switch pin of the boost converter.
VCOM	13	10	O	VCOM buffer output. Typically a 1- μ F output capacitor is required on this pin.
VGH	18	15	O	Positive output voltage to drive the TFT gates with an adjustable fall time. This pin is internally connected with a MOSFET switch to the positive charge pump input CPI.
VIN	7	4	I	This is the input voltage pin of the device.
Thermal Pad	—	—		The thermal pad must be soldered to GND

6 Specifications

6.1 Absolute Maximum Ratings

 over operating free-air temperature range (unless otherwise noted)⁽¹⁾

	MIN	MAX	UNIT
Voltages on pin VIN ⁽²⁾	-0.3	7	V
Voltages on pin SUP	-0.3	15.5	V
Voltage on pin SW		20	V
Voltage on CTRL	-0.3	7	V
Voltage on GD		15.5	V
Voltage on CPI		32	V
Continuous power dissipation	See Thermal Information		—
Lead temperature (soldering, 10 s)		260	°C
Operating junction temperature	-40	150	°C
Storage temperature	-65	150	°C

(1) Stresses beyond those listed under *Absolute Maximum Ratings* may cause permanent damage to the device. These are stress ratings only, and functional operation of the device at these or any other conditions beyond those indicated under *Recommended Operating Conditions* is not implied. Exposure to absolute-maximum-rated conditions for extended periods may affect device reliability.

(2) All voltage values are with respect to network ground terminal.

6.2 ESD Ratings

		VALUE	UNIT
V _(ESD) Electrostatic discharge	Human-body model (HBM), per ANSI/ESDA/JEDEC JS-001 ⁽¹⁾	±2000	V
	Charged-device model (CDM), per JEDEC specification JESD22-C101 ⁽²⁾	±500	

(1) JEDEC document JEP155 states that 500-V HBM allows safe manufacturing with a standard ESD control process.

(2) JEDEC document JEP157 states that 250-V CDM allows safe manufacturing with a standard ESD control process.

6.3 Recommended Operating Conditions

		MIN	NOM	MAX	UNIT
V _I	Input voltage range	1.8		6	V
V _O	Boost converter output voltage			15	V
L	Inductor ⁽¹⁾		4.7		μH
T _A	Operating ambient temperature	–40		85	°C
T _J	Operating junction temperature	–40		125	°C

(1) Refer to application section for further information.

6.4 Thermal Information

THERMAL METRIC ⁽¹⁾	TPS65150		UNIT	
	PWP (HTSSOP)	RGE (VQFN)		
	24 PINS	24 PINS		
R _{θJA}	Junction-to-ambient thermal resistance	36.4	34.3	°C/W
R _{θJC(top)}	Junction-to-case (top) thermal resistance	18.8	36.2	°C/W
R _{θJB}	Junction-to-board thermal resistance	15.9	12	°C/W
ψ _{JT}	Junction-to-top characterization parameter	0.4	0.5	°C/W
ψ _{JB}	Junction-to-board characterization parameter	15.7	12.1	°C/W
R _{θJC(bot)}	Junction-to-case (bottom) thermal resistance	1.3	3.2	°C/W

(1) For more information about traditional and new thermal metrics, see the *Semiconductor and IC Package Thermal Metrics* application report, [SPRA953](#).

6.5 Electrical Characteristics

V_I = 3.3 V, V_(VS) = 10 V, T_A = –40°C to 85°C, typical values are at T_A = 25°C (unless otherwise noted)

PARAMETER	TEST CONDITIONS	MIN	TYP	MAX	UNIT	
SUPPLY CURRENT						
V _I	Input voltage (VIN)	1.8		6	V	
	Supply current (VIN)	Device not switching		14	25	μA
	Supply current (SUP)	Device not switching		1.9	3	mA
	Supply current (VCOM buffer)		750	1500		μA
V _{IT–}	Undervoltage lockout threshold (VIN)	V _I falling		1.6	1.8	V
V _{IT+}	Undervoltage lockout threshold (VIN)	V _I rising		1.7	1.9	V
	Thermal shutdown temperature threshold	T _J rising		155		°C
	Thermal shutdown temperature hysteresis		10			°C
LOGIC SIGNALS						
V _{IH}	High-level input voltage (CTRL)	1.6			V	
V _{IL}	Low-level input voltage (CTRL)			0.4	V	
I _{IH} , I _{IL}	Input current (CTRL)	CTRL = V _I or GND		0.01	0.2	μA
BOOST CONVERTER						
V _O	Output voltage			15	V	
V _{ref}	Boost converter reference voltage (FB)	1.136	1.146	1.154	V	
I _{IB}	Input bias current (FB)		10	100	nA	
r _{DS(on)}	Drain-source on-state resistance (Q1)	I _{DS} = 500 mA	V _O = 10 V	200	300	mΩ
			V _O = 5 V	305	450	
r _{DS(on)}	Drain-source on-state resistance (Q2)	I _{DS} = 500 mA	V _O = 10 V	8	15	Ω
			V _O = 5 V	12	22	
I _{DS}	Drain-source current rating (Q2)		1		A	
	Current limit (SW)		2	2.5	3.4	A

Electrical Characteristics (continued)
 $V_I = 3.3\text{ V}$, $V_{(VS)} = 10\text{ V}$, $T_A = -40^\circ\text{C}$ to 85°C , typical values are at $T_A = 25^\circ\text{C}$ (unless otherwise noted)

PARAMETER		TEST CONDITIONS		MIN	TYP	MAX	UNIT
$I_{(SW)(off)}$	Off-state current (SW)	$V_{(SW)} = 15\text{ V}$			1	10	μA
V_{IT+}	Overvoltage protection threshold (SUP)	$V_{(SUP)}$ rising		16		20	V
$\Delta V_{O(\Delta V)}$	Line regulation	$V_I = 1.8\text{ V}$ to 5 V	$I_O = 1\text{ mA}$		0.007		%/V
$\Delta V_{O(\Delta I)}$	Load regulation	$V_I = 5\text{ V}$	$I_O = 0\text{ A}$ to 400 mA		0.16		%/A
V_{IT+}	Gate drive threshold (FB) ⁽¹⁾			-12% of V_{ref}		-4% of V_{ref}	V
NEGATIVE CHARGE PUMP							
V_O	Output voltage					-2	V
$V_{(REF)}$	Reference output voltage (REF)			1.205	1.213	1.219	V
V_{ref}	Feedback regulation voltage (FBN)			-36	0	36	mV
I_{IB}	Input bias current (FBN)				10	100	nA
$r_{DS(on)}$	Drain-source on-state resistance (Q4)	$I_{DS} = 20\text{ mA}$			4.4		Ω
$V_{(DRVN)}$	Current sink voltage drop ⁽²⁾	$V_{(FBN)} = 5\%$ above nominal voltage	$I_{(DRVN)} = 50\text{ mA}$		130	300	mV
			$I_{(DRVN)} = 100\text{ mA}$		280	450	
$\Delta V_{O(\Delta I)}$	Load regulation	$V_O = -5\text{ V}$	$I_O = 0\text{ mA}$ to 20 mA		0.016		%/mA
POSITIVE CHARGE PUMP							
V_O	Output voltage	CTRL = GND	VGH = open			30	V
V_{ref}	Feedback regulation voltage (FBP)	CTRL = GND	VGH = open	1.187	1.214	1.238	V
I_{IB}	Input bias current (FBP)	CTRL = GND	VGH = open		10	100	nA
$r_{DS(on)}$	Drain-source on-state resistance (Q3)	$I_{DS} = 20\text{ mA}$			1.1		Ω
$V_{(SUP)} - V_{(DRV)}$	Current sink voltage drop ⁽²⁾	$V_{(FBP)} = 5\%$ below nominal voltage	$I_{(DRV)} = 50\text{ mA}$		420	650	mV
			$I_{(DRV)} = 100\text{ mA}$		900	1400	
$\Delta V_{O(\Delta I)}$	Load regulation	$V_O = 24\text{ V}$	$I_O = 0\text{ mA}$ to 20 mA		0.07		%/mA
GATE-VOLTAGE SHAPING							
$r_{DS(on)}$	Drain-source on-state resistance (Q5)	$I_O = -20\text{ mA}$			12	30	Ω
$I_{(ADJ)}$	Capacitor charge current	$V_{(ADJ)} = 20\text{ V}$	$V_{(CPI)} = 30\text{ V}$	160	200	240	μA
V_{Omin}	Minimum output voltage	$V_{(ADJ)} = 0\text{ V}$	$I_O = -10\text{ mA}$		2		V
I_{OM}	Maximum output current			20			mA
TIMING CIRCUITS DLY1, DLY2, FDLY							
$I_{(DLY1)}$	Drive current into delay capacitor (DLY1)	$V_{(DLY1)} = 1.213\text{ V}$		3	5	7	μA
$I_{(DLY2)}$	Drive current into delay capacitor (DLY1)	$V_{(DLY2)} = 1.213\text{ V}$		3	5	7	μA
$R_{(FDLY)}$	Fault time delay resistor			250	450	650	k Ω
GATE DRIVE (GD)							
V_{OL}	Low-level output voltage (GD)	$I_{OL} = 500\text{ }\mu\text{A}$				0.5	V
I_{OH}	Off-state current (GD)	$V_{OH} = 15\text{ V}$			0.001	1	μA
VCOM BUFFER							
V_{ISR}	Single-ended input voltage (IN)			2.25		$V_{(SUP)} - \frac{V}{2}$	V
V_{IO}	Input offset voltage (IN)	$I_O = 0\text{ mA}$		-25		25	mV

(1) The GD signal is latched low when the main boost converter output is within regulation. The GD signal is reset when the voltage on the VIN pin goes below the UVLO threshold voltage..

(2) The maximum charge pump output current is half the drive current of the internal current source or sink.

Electrical Characteristics (continued)

$V_I = 3.3\text{ V}$, $V_{(VS)} = 10\text{ V}$, $T_A = -40^\circ\text{C}$ to 85°C , typical values are at $T_A = 25^\circ\text{C}$ (unless otherwise noted)

PARAMETER	TEST CONDITIONS	MIN	TYP	MAX	UNIT
$\Delta V_{O(\Delta I_O)}$ Load regulation	$I_O = \pm 25\text{ mA}$	-37		37	mV
	$I_O = \pm 50\text{ mA}$	-77		55	
	$I_O = \pm 100\text{ mA}$	-85		85	
	$I_O = \pm 150\text{ mA}$	-110		110	
I_{IB} Input bias current (IN)		-300	-30	300	nA
I_{OM} Maximum output current (VCOM)	$V_{(SUP)} = 15\text{ V}$		1.2		A
	$V_{(SUP)} = 10\text{ V}$		0.65		
	$V_{(SUP)} = 5\text{ V}$		0.15		

6.6 Switching Characteristics

over operating free-air temperature range (unless otherwise noted)

PARAMETER	TEST CONDITIONS	MIN	TYP	MAX	UNIT
Oscillator frequency		1.02	1.2	1.38	MHz
Duty cycle (DRVN)			50%		
Duty cycle (DRVP)			50%		

6.7 Typical Characteristics

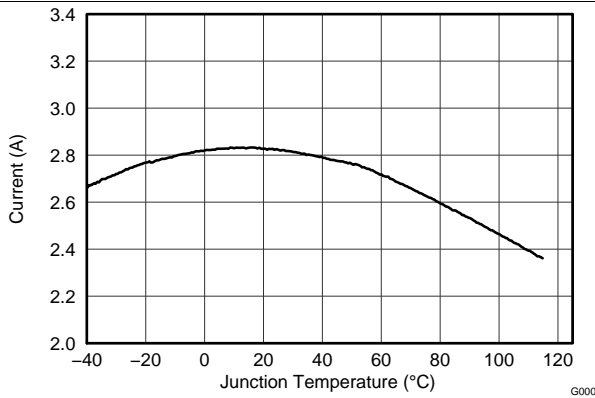


Figure 1. Boost Converter Switch (Q1) Current Limit

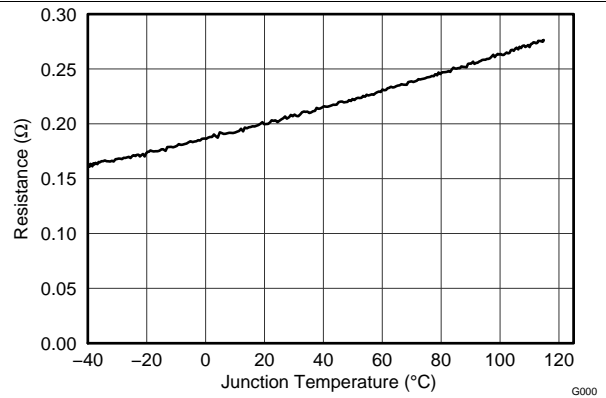


Figure 2. Boost Converter Switch (Q1) $r_{DS(on)}$ vs Temperature

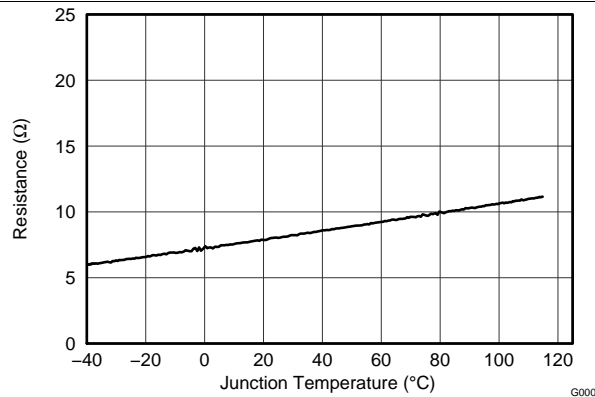


Figure 3. Boost Converter Rectifier (Q2) $r_{DS(on)}$ vs Temperature

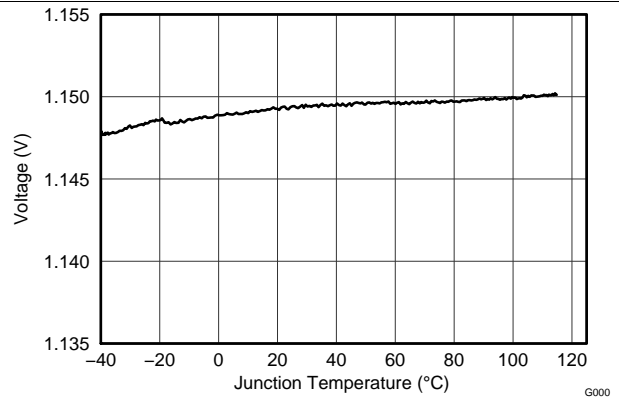


Figure 4. Boost Converter Reference Voltage vs Temperature

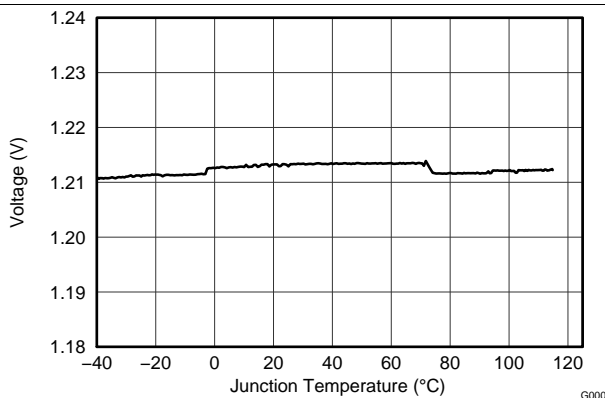


Figure 5. Positive Charge Pump Reference Voltage vs Temperature

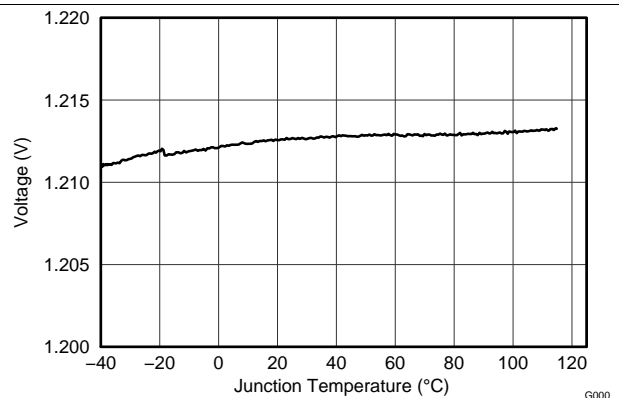


Figure 6. REF Pin Voltage vs Temperature

Typical Characteristics (continued)

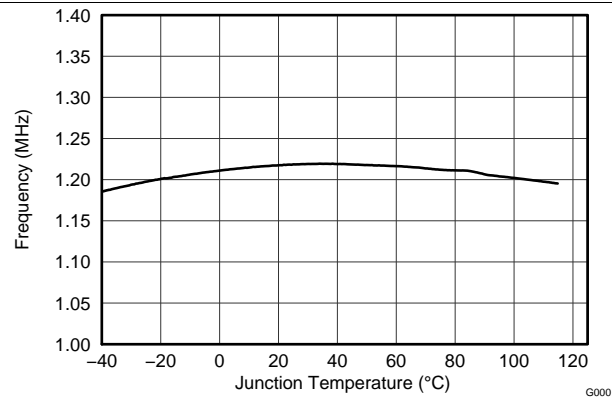


Figure 7. Oscillator Frequency vs Temperature

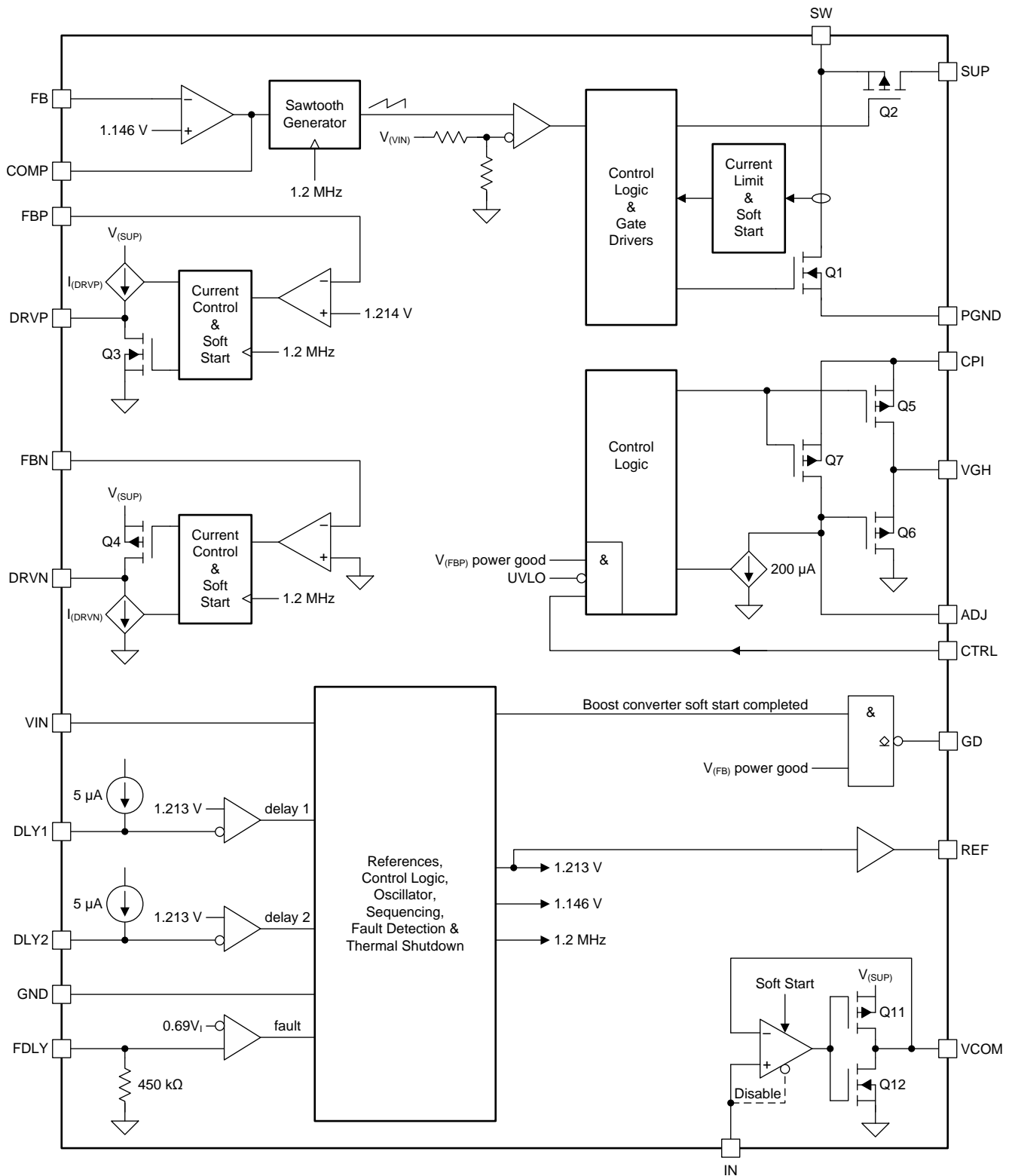
7 Detailed Description

7.1 Overview

The TPS65150 device is a complete bias supply for LCD displays. The device generates supply voltages for the source driver and gate driver ICs in the display as well as generating the display's common plane voltage (V_{COM}). The device also features a gate-voltage shaping function that can be used to reduce image sticking and improve picture quality. The use of external components to control power-up sequencing, fault detection time, and boost converter compensation allows the device to be optimized for a variety of applications.

The device has been designed to work from input supply voltages as low as 1.8 V and is therefore ideal for use in applications where it is supplied from fixed 2.5-V, 3.3-V, or 5-V supplies or from a single-cell Li-Ion battery.

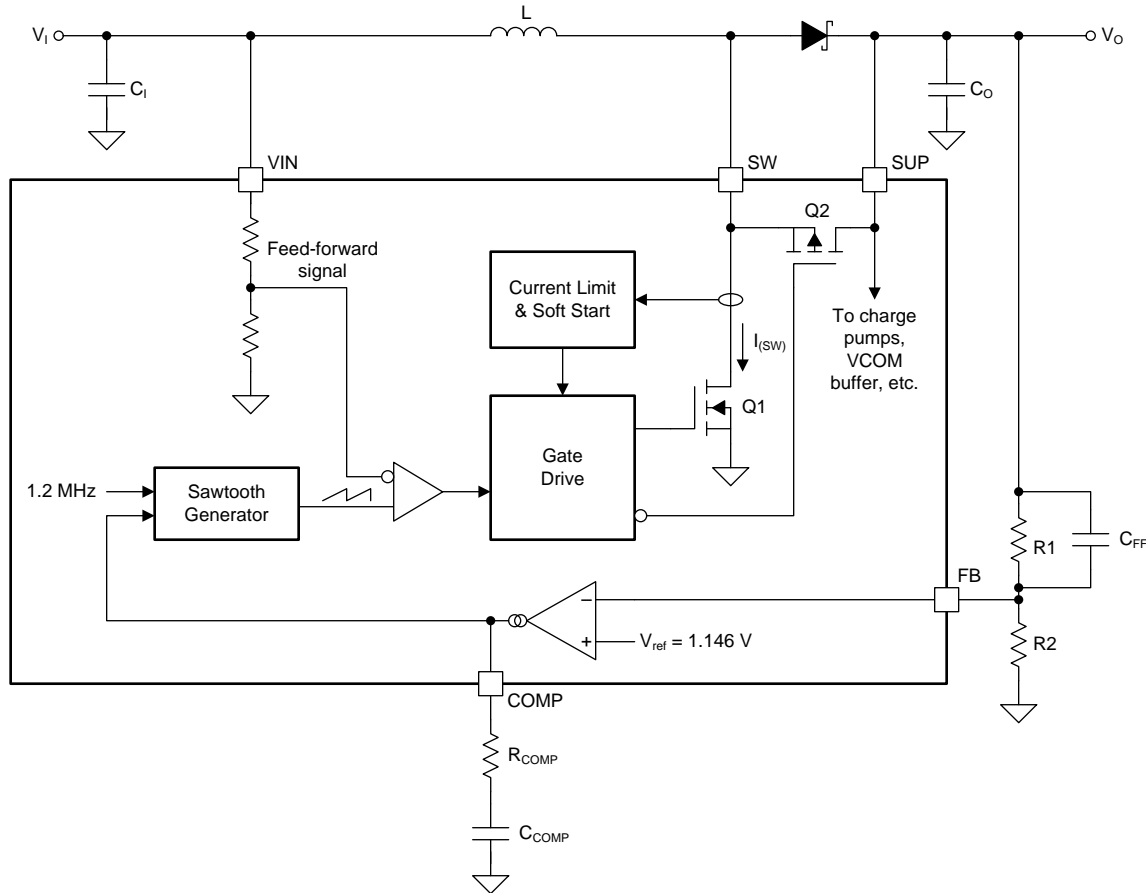
7.2 Functional Block Diagram



7.3 Feature Description

7.3.1 Boost Converter

Figure 8 shows a simplified block diagram of the boost converter.



Copyright © 2016, Texas Instruments Incorporated

Figure 8. Boost Converter Block Diagram

The boost converter uses a unique fast-response voltage-mode controller scheme with input feedforward to achieve excellent line and load regulation, while still allowing the use of small external components. The use of external compensation adds flexibility and allows the boost converter's response to be optimized for a wide range of external components.

The TPS65150 device uses a virtual-synchronous topology that allows the boost converter to operate in continuous conduction mode (CCM) even at light loads. This is achieved by including a small MOSFET (Q2) in parallel with the external rectifier diode. Under light-load conditions, Q2 allows the inductor current to become negative, maintaining operation in CCM. By operating always in CCM, boost converter compensation is simplified, ringing on the SW pin at low loads is avoided, and additional charge pump stages can be driven by the SW pin. The boost converter duty cycle is given by [Equation 1](#).

$$D = 1 - \frac{\eta V_I}{V_O}$$

where

- η is the boost converter efficiency (either taken from data in [Application Curves](#) or a worst-case assumption of 75%).
- V_I is the boost converter input supply voltage.

Feature Description (continued)

- V_O is the boost converter output voltage. (1)

Use [Equation 2](#) to calculate the boost converter peak switch current.

$$I_{(SW)M} = \frac{DV_I}{2fL} + \frac{I_O}{1-D}$$

where

- $f = 1.2$ MHz (the boost converter switching frequency);
- I_O is the boost converter output current; and
- L is the boost converter inductance. (2)

7.3.1.1 Setting the Boost Converter Output Voltage

The boost converter output voltage is set by the R1/R2 resistor divider, and is calculated using [Equation 3](#).

$$V_O = \left(1 + \frac{R1}{R2}\right) V_{ref}$$

where

- $V_{ref} = 1.146$ V (the boost converter internal reference voltage). (3)

To minimize quiescent current consumption, the value of R1 should be in the range of 100 k Ω to 1 M Ω .

7.3.1.2 Boost Converter Rectifier Diode

The diode's reverse voltage rating should be higher than the maximum output voltage of the converter, and its average forward current rating should be higher than the boost converter's output current. Use [Equation 4](#) to calculate the rectifier diode repetitive peak forward current.

$$I_{FRM} = I_{(SW)M} \quad (4)$$

Use [Equation 5](#) to calculate the power dissipated in the rectifier diode.

$$P_D = V_F I_O$$

where

- V_F is the rectifier diode forward voltage. (5)

The main diode parameters affecting converter efficiency are its forward voltage and reverse leakage current, and both should be as low as possible.

7.3.1.3 Choosing the Boost Converter Output Capacitance

The boost converter's output capacitance smooths the output voltage and supplies transient output current demands that are outside the converter's loop bandwidth. Generally speaking, larger output currents and/or smaller input supply voltages require larger output capacitances. Use [Equation 6](#) to calculate the boost converter's output voltage ripple.

Feature Description (continued)

$$V_{O(PP)} = \frac{DI_O}{fC_O}$$

where

- C_O is the boost converter output capacitance. (6)

7.3.1.4 Compensation

The boost converter requires a series R-C network connected between the COMP pin and ground to compensate its feedback loop. The COMP pin is the output of the boost converter's error amplifier, and the compensation capacitor determines the amplifier's low-frequency gain and the resistor its high-frequency gain. Because the converter gain changes with the input voltage, different compensation capacitors may be required: lower input voltages require a higher gain, and therefore a smaller compensation capacitor value. If an application's input supply voltage changes (for example, if the TPS65150 device is supplied from a battery), choose compensation components suitable for a supply voltage midway between the minimum and maximum values. In all cases, verify that the values selected are suitable by performing transient tests over the full range of operating conditions.

Table 1. Recommended Compensation Components for Different Input Supply Voltages

V_I	C_{COMP}	R_{COMP}	FEED-FORWARD ZERO CUT-OFF FREQUENCY
2.5 V	470 pF	68 k Ω	8.8 kHz
3.3 V	470 pF	33 k Ω	7.8 kHz
5 V	2.2 nF	0 k Ω	11.2 kHz

A feed-forward capacitor C_{FF} in parallel with the upper feedback resistor R1 adds an additional zero to the loop response, which improves transient performance. [Table 1](#) suggests suitable values for the cut-off frequency of the feedforward zero; however, these are only guidelines. In any application, variations in input supply voltage, inductance, and output capacitance all affect circuit operation, and the optimum value must be verified with transient tests before being finalized.

The cut-off frequency of the feed-forward zero is determined using [Equation 7](#).

$$f_{co} = \frac{1}{2\pi(R1)C_{FF}}$$

where

- f_{co} is the cutoff frequency of the feedforward zero formed by R1 and C_{FF} . (7)

7.3.1.5 Soft Start

The boost converter features a soft-start function that limits the current drawn from the input supply during start-up. During the first 2048 switching cycles, the boost converter's switch current is limited to 40% of its maximum value; during the next 2048 cycles, it is limited to 60% of its maximum value; and after that it is as high as it must be to regulate the output voltage (up to 100% of the maximum). In typical applications, this results in a start-up time of about 5 ms (see [Figure 9](#)).

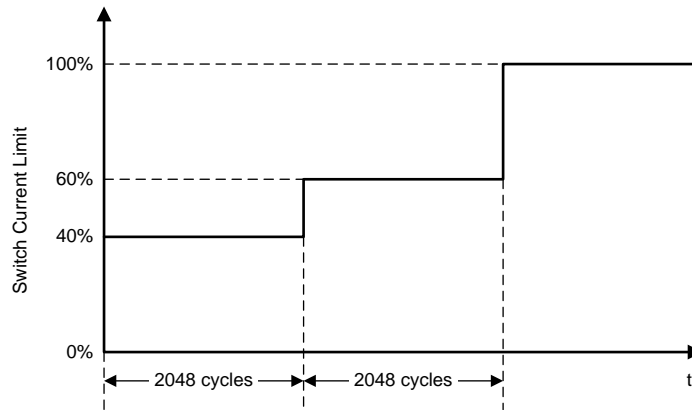


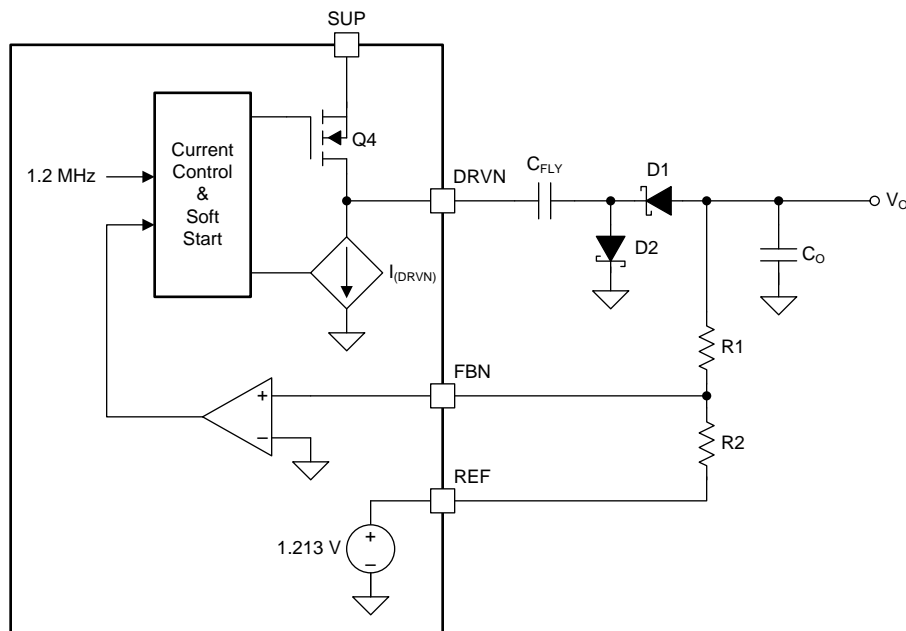
Figure 9. Boost Converter Switch Current Limit During Soft-Start

7.3.1.6 Gate Drive Signal

The GD pin provides a signal to control an external P-channel enhancement MOSFET, allowing the boost converter's output to be isolated from its input when disabled (see Figure 36). The GD pin is an open-drain type whose output is latched low as soon as the boost converter's output voltage reaches its power-good threshold. The GD pin goes high impedance whenever the input voltage falls below the undervoltage lockout threshold or the device shuts down as the result of a fault condition (see Adjustable Fault Delay).

7.3.2 Negative Charge Pump

Figure 10 shows a simplified block diagram of the negative charge pump.



Copyright © 2016, Texas Instruments Incorporated

Figure 10. Negative Charge Pump Block Diagram

The negative charge pump operates with a fixed frequency of 1.2 MHz and a 50% duty cycle in two distinct phases. During the charge phase, transistor Q4 is turned on, controlled current source $I_{(DRVN)}$ is turned off, and flying capacitance C_{FLY} charges up to approximately $V_{(SUP)}$. During the discharge phase, Q4 is turned off, $I_{(DRVN)}$ is turned on, and a negative current of $I_{(DRVN)}$ flows through D1 to the output. The output voltage is fed back through R1 and R2 to an error amplifier that controls $I_{(DRVN)}$ so that the output voltage is regulated at the correct value.

7.3.2.1 Negative Charge Pump Output Voltage

The negative charge pump output voltage is set by resistors R1 and R2 and is given by

$$V_O = -\left(\frac{R1}{R2}\right)V_{(REF)}$$

where

- $V_{(REF)} = 1.213$ V (the voltage on the REF pin). (8)

Resistor R2 should be in the range 39 k Ω to 150 k Ω . Smaller values load the REF pin too heavily and larger values may cause stability problems.

7.3.2.2 Negative Charge Pump Flying Capacitance

The flying capacitance transfers charge from the SUP pin to the negative charge pump output. TI recommends a flying capacitance of at least 100 nF for output currents up to 20 mA. Smaller values can be used with smaller output currents.

7.3.2.3 Negative Charge Pump Output Capacitance

The output capacitance smooths the discontinuous current delivered by the flying capacitance to generate a dc output voltage. In general, higher output currents require larger output capacitances. Use [Equation 9](#) to calculate the negative charge pump output voltage ripple.

$$V_{O(PP)} = \frac{I_O}{2fC_O}$$

where

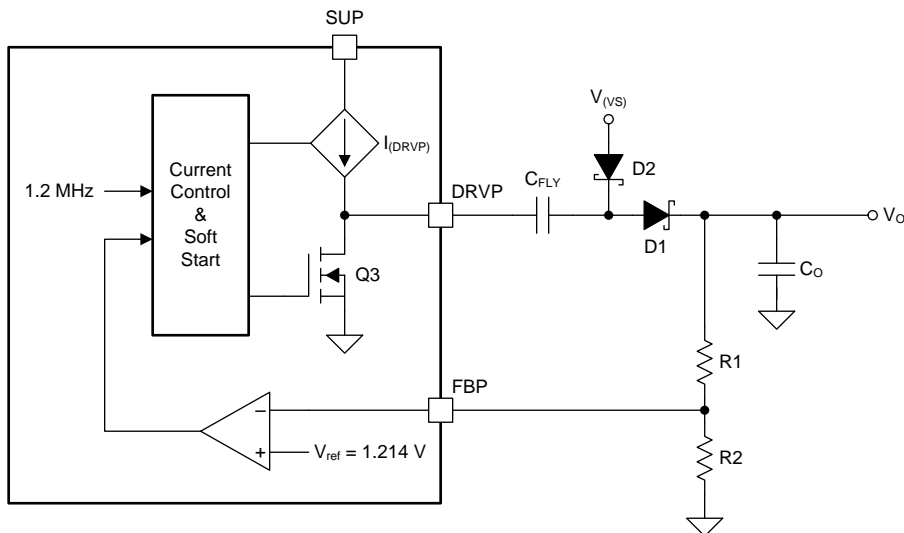
- I_O is the negative charge pump output current.
- C_O is the negative charge pump output capacitance.
- $f = 1.2$ MHz (the negative charge pump switching frequency). (9)

7.3.2.4 Negative Charge Pump Diodes

The average forward current of both diodes is equal to the negative charge pump output current. If the recommended flying capacitance (or larger) is used, the repetitive peak forward current in D1 and D2 is equal to twice the output current.

7.3.3 Positive Charge Pump

[Figure 11](#) shows a simplified block diagram of the positive charge pump, which works in a similar way to the negative charge pump except that the positions of the current source I_{DRVP} and the MOSFET Q3 are reversed.



Copyright © 2016, Texas Instruments Incorporated

Figure 11. Positive Charge Pump Block Diagram

If higher output voltages are required another charge pump stage can be added to the output, as shown in [Figure 34](#) at the end of the data sheet.

7.3.3.1 Positive Charge Pump Output Voltage

The positive charge pump output voltage is set by resistors R1 and R2 and is calculated using [Equation 10](#):

$$V_O = \left(1 + \frac{R1}{R2} \right) V_{ref}$$

where

- $V_{ref} = 1.214 \text{ V}$ (the positive charge pump reference voltage). (10)

TI recommends choosing a value for R2 not greater than 1 MΩ.

7.3.3.2 Positive Charge Pump Flying Capacitance

The flying capacitance transfers charge from the SUP pin to the charge pump output. TI recommends a flying capacitance of at least 330 nF ⁽¹⁾ for output currents up to 20 mA. Smaller values can be used with smaller output currents.

7.3.3.3 Positive Charge Pump Output Capacitance

The positive charge pump output voltage ripple is given by

$$V_{O(PP)} = \frac{I_O}{2fC_O}$$

where

- I_O is the positive charge pump output current.
- C_O is the positive charge pump output capacitance.
- $f = 1.2 \text{ MHz}$ (the positive charge pump switching frequency). (11)

(1) The minimum recommended flying capacitance for the positive charge pump is larger than for the negative charge pump because the $r_{DS(on)}$ of Q3 is smaller than the $r_{DS(on)}$ of Q4.

7.3.3.4 Positive Charge Pump Diodes

The average forward current of both diodes is equal to the positive charge pump output current. If the recommended flying capacitance (or larger) is used, the repetitive peak forward current in D1 and D2 equal to twice output current.

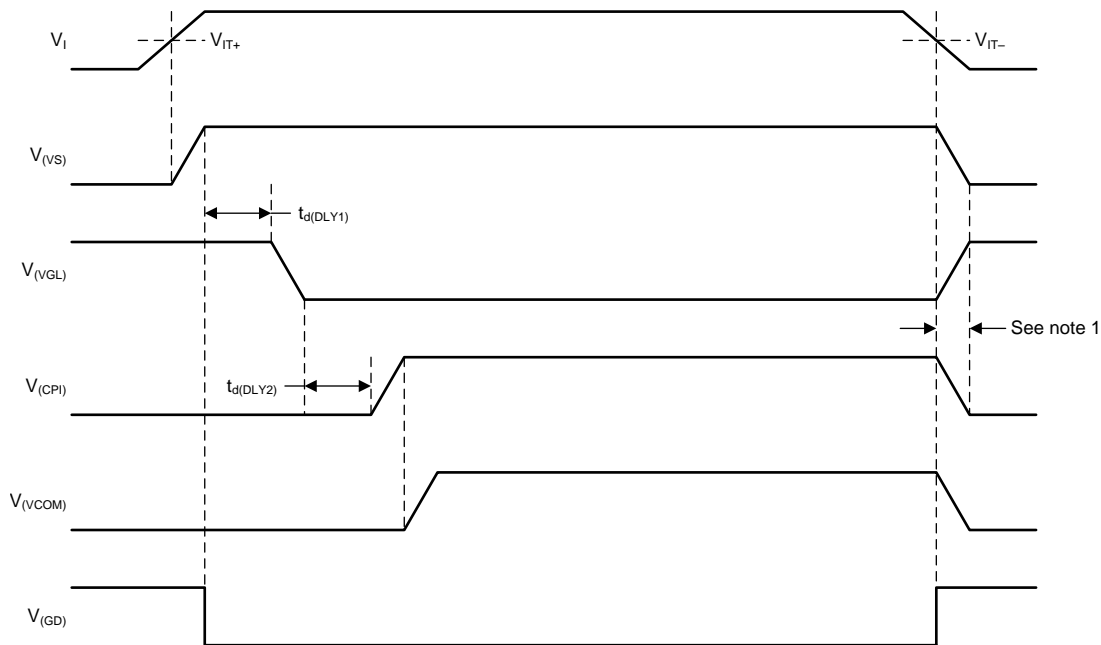
7.3.4 Undervoltage Lockout

An undervoltage lockout (UVLO) function inhibits the TPS65150 device if the input supply voltage is too low for proper operation. The UVLO function senses the voltage on the VIN.

7.3.5 Power-On Sequencing, DLY1, DLY2

The boost converter starts as soon as the input supply voltage exceeds the rising UVLO threshold. The negative charge pump starts $t_{d(DLY1)}$ seconds after the boost converter output voltage has reached its final value, and the positive charge pump starts $t_{d(DLY2)}$ seconds after the negative charge pump's output has reached its final value. The VCOM buffer starts up as soon as the positive charge pump's output voltage ($V_{(CPI)}$) has reached its final value.

Delay times $t_{d(DLY1)}$ and $t_{d(DLY2)}$ are set by capacitors connected between the DLY1 and DLY2 pins and ground.



Notes

1. The fall times of $V_{(VS)}$, $V_{(VGL)}$, $V_{(CPI)}$ depend on their respective load currents and feedback resistances.

Figure 12. Start-Up Sequencing With CTRL = H

The delay times $t_{d(DLY1)}$ and $t_{d(DLY2)}$ are set by the capacitors connected to the DLY1 and DLY2 pins respectively. Each of these pins is connected to its own 5- μ A current source ($I_{(DLY1)}$ and $I_{(DLY2)}$) that causes the voltage on the external capacitor to ramp up linearly. The delay time is defined by how long it takes the voltage on the external capacitor to reach the reference voltage, and is given by

$$t_{d(DLY1)} = \frac{C_{DLY1} V_{ref}}{I_{(DLY1)}} \quad \text{and} \quad t_{d(DLY2)} = \frac{C_{DLY2} V_{ref}}{I_{(DLY2)}}$$

where

- $V_{ref} = 1.213$ V (the internal reference voltage);
- $I_{(DLY1)} = 5$ μ A (the DLY1 pin output current); and

- $I_{(DLY2)} = 5 \mu\text{A}$ (the DLY2 pin output current). (12)

7.3.6 Gate Voltage Shaping

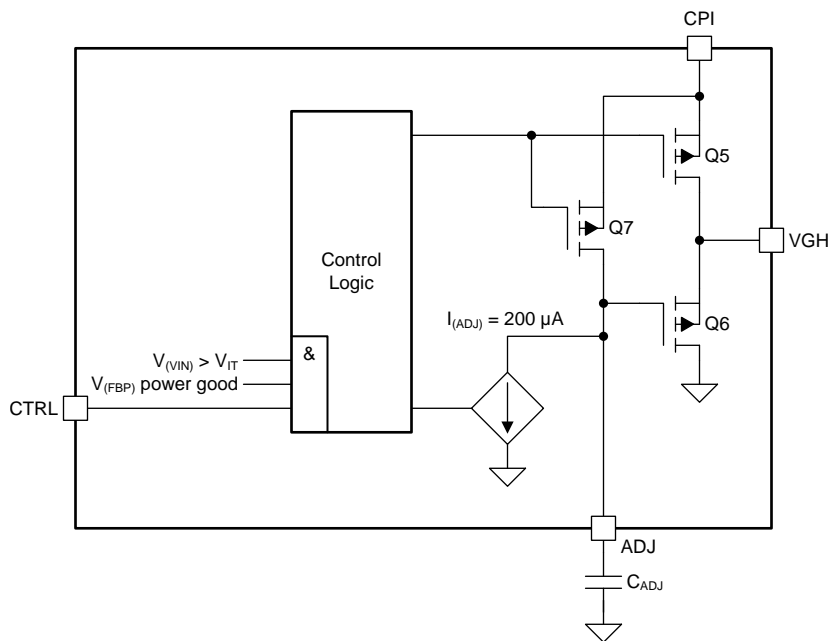
The gate voltage shaping function can be used to reduce crosstalk between LCD pixels by reducing the gate drivers' input supply voltage between lines. Figure 13 shows a simplified block diagram of the gate voltage shaping function. Gate voltage shaping is controlled by a logic-level signal applied to the CTRL pin. When CTRL is high, Q5 and Q7 are on and Q6 is off, and the output of the positive charge pump is connected to the VGH pin. When CTRL is low, Q5 and Q7 are off and Q6 is on. Q6 operates as a source follower and tracks the voltage on the ADJ pin, which ramps down linearly as the current sink $I_{(ADJ)}$ discharges external capacitor C_{ADJ} (see Figure 14). The peak-to-peak voltage on the VGH pin is determined by the value of C_{ADJ} and the duration of the low level applied to the CTRL pin, and is calculated using Equation 13.

$$V_{(VGH)(PP)} = \frac{I_{(ADJ)} t_{w(CTRL)}}{C_{ADJ}}$$

where

- $I_{(ADJ)} = 200 \mu\text{A}$ (ADJ pin output current)
 - $t_{w(CTRL)}$ is the duration of the low-level signal connected to the CTRL pin
 - C_{ADJ} is the capacitance connected to the ADJ pin
- (13)

When the input supply voltage is below the UVLO threshold or the device enters a shutdown condition because of a fault on one or more of its outputs, Q5 and Q6 turn off and the VGH pin is high impedance.



Copyright © 2016, Texas Instruments Incorporated

Figure 13. Gate Voltage Shaping Block Diagram

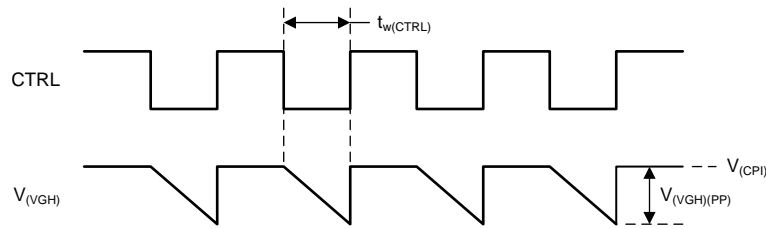


Figure 14. Gate Voltage Shaping Timing

7.3.7 VCOM Buffer

The VCOM Buffer is a transconductance amplifier designed to drive capacitive loads. The IN pin is the input of the VCOM buffer. The VCOM buffer features a soft-start function that reduces the current drawn from the SUP pin when the amplifier starts up.

If the VCOM buffer is not required for certain applications, it is possible to shut down the VCOM buffer by connecting IN to ground, reducing the overall quiescent current. The IN pin cannot be pulled dynamically to ground during operation.

7.3.8 Protection

7.3.8.1 Boost Converter Overvoltage Protection

The boost converter features an overvoltage protection function that monitors the voltage on the SUP pin and forces the TPS65150 device to enter fault mode if the boost converter output voltage exceeds the overvoltage threshold.

7.3.8.2 Adjustable Fault Delay

The TPS65150 device detects a fault condition and shuts down if the boost converter output or either of the charge pump outputs falls out of regulation for longer than the fault delay time $t_{d(FDLY)}$. Fault conditions are detected by comparing the voltage on the feedback pins with the internal power-good thresholds. Outputs that fall below their power-good threshold but recover within less than $t_{d(FDLY)}$ seconds are not detected as faults and the device does not shut down in such cases. The output fault detection function is active during start-up, so the device will shut down if any of its outputs fails to reach its power-good threshold during start-up. Shut-down following an output voltage fault is a latched condition, and the input supply voltage must be cycled to recover normal operation after it occurs.

The fault detection delay time is set by the capacitor connected between the FDLY and VIN pins and is given by

$$t_{d(FDLY)} = R_{(FDLY)} C_{FDLY}$$

where

- $R_{(FDLY)}$ = 450 k Ω (the internal resistance connected to the FDLY pin).
 - C_{FDLY} is the external capacitance connected to the FDLY pin.
- (14)

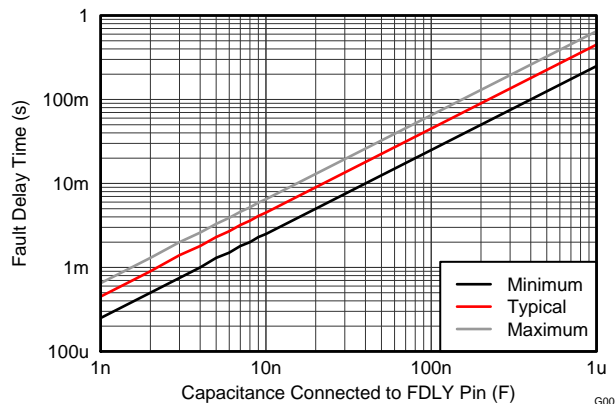


Figure 15. Adjustable Fault Delay Time

7.3.8.3 Thermal Shutdown

A thermal shutdown is implemented to prevent damage because of excessive heat and power dissipation. Typically, the thermal shutdown threshold is 155°C. When this threshold is reached, the device enters shutdown. The device can be enabled again by cycling the input supply voltage.

7.3.8.4 Undervoltage Lockout

The TPS65150 device has an undervoltage lockout (UVLO) function. The UVLO function stops device operation if the voltage on the VIN pin is less than the UVLO threshold voltage. This makes sure that the device only operates when the supply voltage is high enough for correct operation.

7.4 Device Functional Modes

The TPS65150 device's functional modes are illustrated in [Figure 16](#).

7.4.1 $V_I > V_{IT+}$

When the input supply voltage is above the undervoltage lockout threshold, the device is on and all its functions are enabled. Note that full performance may not be available until the input supply voltage exceeds the minimum value specified in [Recommended Operating Conditions](#).

7.4.2 $V_I < V_{IT-}$

When the input supply voltage is below the undervoltage lockout threshold, the TPS65150 device is off and all its functions are disabled.

7.4.3 Fault Mode

The TPS65150 device immediately enters fault mode when any of the following is detected:

- boost converter overvoltage
- overtemperature

The TPS65150 device also enters fault mode if any of the following conditions is detected and persists for longer than $t_{d(FDLY)}$:

- boost converter output out of regulation
- negative charge pump output out of regulation
- positive charge pump output out of regulation

The TPS65150 device does not function during fault mode. Cycle the input supply voltage to exit fault mode and recover normal operation.

Device Functional Modes (continued)

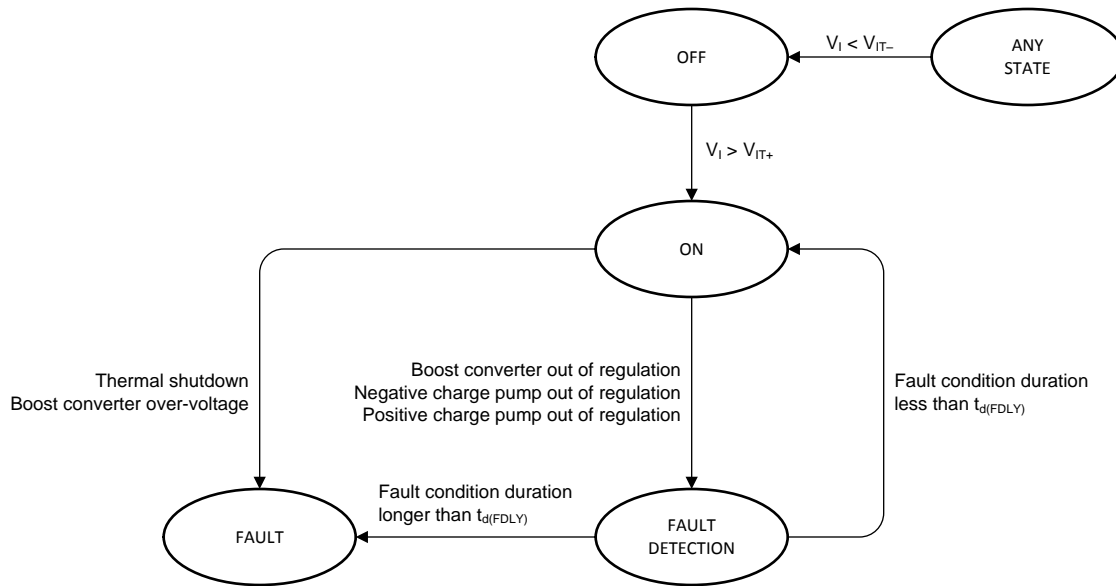


Figure 16. Functional Modes

8 Application and Implementation

NOTE

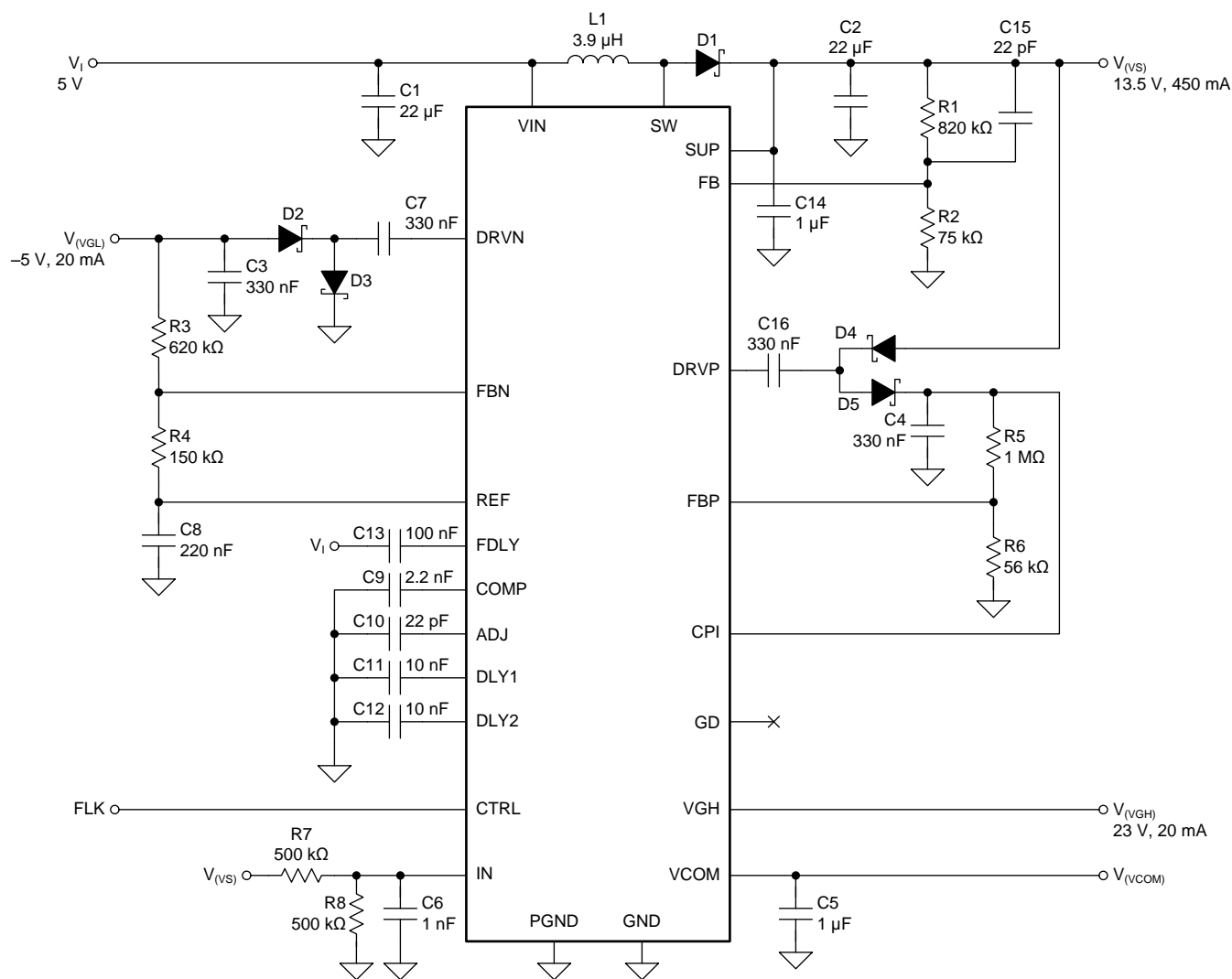
Information in the following applications sections is not part of the TI component specification, and TI does not warrant its accuracy or completeness. TI's customers are responsible for determining suitability of components for their purposes. Customers should validate and test their design implementation to confirm system functionality.

8.1 Application Information

The TPS65150 device has been designed to provide the input supply voltages for the source drivers and gate drivers plus the voltage for the common plane in LCD display applications. In addition, the device provides a gate voltage shaping function that can be used to modulate the gate drivers' positive supply to reduce image sticking.

8.2 Typical Application

Figure 17 shows a typical application circuit for a monitor display powered from a 5-V supply. It generates up to 450 mA at 13.5 V to power the source drivers, and 20 mA at 23 V and -5 V to power the gate drivers.



Copyright © 2016, Texas Instruments Incorporated

Figure 17. Monitor LCD Supply Powered from a 5-V Rail

Typical Application (continued)

8.2.1 Design Requirements

Table 2 shows the design parameters for this example.

Table 2. Design Requirements

PARAMETER	SYMBOL	VALUE
Input supply voltage	V_I	5 V
Boost converter output voltage and current	$V_{(VS)}$	13.5 V at 450 mA
Boost converter peak-to-peak output voltage ripple	$V_{(VS)(PP)}$	10 mV
Positive charge pump output voltage and current	$V_{(CPI)}$	23 V at 20 mA
Positive charge pump peak-to-peak output voltage ripple	$V_{(VGH)(PP)}$	100 mV
Negative charge pump output voltage and current	$V_{(VGL)}$	-5 V at 20 mA
Negative charge pump peak-to-peak output voltage ripple	$V_{(VGL)(PP)}$	100 mV
Negative charge pump start-up delay time	t_{d1}	1 ms
Positive charge pump start-up delay time	t_{d2}	1 ms
Fault delay time	$t_{d(fault)}$	45 ms
Gate voltage shaping slope		10 V/ μ s

8.2.2 Detailed Design Procedure

8.2.2.1 Boost Converter Design Procedure

8.2.2.1.1 Inductor Selection

Several inductors work with the TPS65150, and with external compensation the performance can be adjusted to the specific application requirements.

The main parameter for the inductor selection is the inductor saturation current, which should be higher than the peak switch current as calculated in Equation 2 with additional margin to cover for heavy load transients. The alternative, more conservative approach, is to choose the inductor with a saturation current at least as high as the maximum switch current limit of 3.4 A.

The second important parameter is the inductor DC resistance. Usually, the lower the DC resistance the higher the efficiency. It is important to note that the inductor DC resistance is not the only parameter determining the efficiency. For a boost converter, where the inductor is the energy storage element, the type and material of the inductor influences the efficiency as well. Especially at a switching frequency of 1.2 MHz, inductor core losses, proximity effects, and skin effects become more important. Usually, an inductor with a larger form factor gives higher efficiency. The efficiency difference between different inductors can vary from 2% to 10%. For the TPS65150, inductor values from 3.3 μ H and 6.8 μ H are a good choice, but other values can be used as well. Possible inductors are shown in Table 3. Equivalent parts can also be used.

Table 3. Inductor Selection

INDUCTANCE	I_{SAT}	DCR	MANUFACTURER	PART NUMBER	DIMENSIONS
4.7 μ H	2.6 A	54 m Ω	Coilcraft	DO1813P-472HC	8.89 mm x 6.1 mm x 5 mm
4.2 μ H	2.2 A	23 m Ω	Sumida	CDRH5D28 4R2	5.7 mm x 5.7 mm x 3 mm
4.7 μ H	1.6 A	48 m Ω	Sumida	CDC5D23 4R7	6 mm x 6 mm x 2.5 mm
4.2 μ H	1.8 A	60 m Ω	Sumida	CDRH6D12 4R2	6.5 mm x 6.5 mm x 1.5 mm
3.9 μ H	2.6A	20 m Ω	Sumida	CDRH6D28 3R9	7 mm x 7 mm x 3 mm
3.3 μ H	1.9 A	50 m Ω	Sumida	CDRH6D12 4R2	6.5 mm x 6.5 mm x 1.5 mm

The first step in the design procedure is to verify whether the maximum possible output current of the boost converter supports the specific application requirements. A simple approach is to estimate the converter efficiency, by taking the efficiency numbers from the provided efficiency curves, or use a worst case assumption for the expected efficiency, for example, 75%.

From [Figure 19](#), it can be seen that the boost converter efficiency is about 85% when operating under the target application conditions. Inserting these values into [Equation 1](#) yields

$$D = 1 - \frac{(0.85)(5 \text{ V})}{13.5 \text{ V}} = 0.69 \quad (15)$$

and from [Equation 2](#), the peak switch current can be calculated as

$$I_{(SW)M} = \frac{(0.69)(5 \text{ V})}{2(1.2 \text{ MHz})(3.9 \mu\text{H})} + \frac{(0.45 \text{ A})}{1 - 0.69} = 1.8 \text{ A} \quad (16)$$

The peak switch current is the peak current that the integrated switch, inductor, and rectifier diode must be able to handle. The calculation must be done for the minimum input voltage where the peak switch current is highest. For the calculation of the maximum current delivered by the boost converter, it must be considered that the positive and negative charge pumps as well as the VCOM buffer run from the output of the boost converter as well.

8.2.2.2 Rectifier Diode Selection

The rectifier diode reverse voltage rating should be higher than the maximum output voltage of the converter (13.5 V in this application); its average forward current rating should be higher than the maximum boost converter output current of 450 mA, and its repetitive peak forward current should be greater than or equal to the peak switch current of 1.8 A. Not all diode manufacturers specify repetitive peak forward current; however, a diode with an average forward current rating of 1 A or higher is suitable for most practical applications.

From [Equation 5](#), the power dissipated in the rectifier diode is given by

$$P_D = I_O V_F = (0.45 \text{ A})(0.5 \text{ V}) = 0.225 \text{ W} \quad (17)$$

[Table 4](#) lists a number of suitable rectifier diodes, any of which would be suitable for this application. Equivalent parts can also be used.

Table 4. Rectifier Diode Selection

$I_{F(AV)}$	V_R	V_F	MANUFACTURER	PART NUMBER
2 A	20 V	0.44 V at 2 A	Vishay Semiconductor	SL22
2 A	20 V	0.5 V at 2 A	Fairchild Semiconductor	SS22
1 A	30 V	0.44 V at 2 A	Fairchild Semiconductor	MBRS130L
1 A	20 V	0.45 V at 1 A	Microsemi	UPS120
1 A	20 V	0.45 V at 1 A	ON Semiconductor	MBRM120

8.2.2.3 Setting the Output Voltage

Rearranging [Equation 3](#) and inserting the application parameters, we get

$$\frac{R1}{R2} = \frac{13.5 \text{ V}}{1.146 \text{ V}} - 1 = 10.78 \quad (18)$$

Standard values of $R1 = 820 \text{ k}\Omega$ and $R2 = 75 \text{ k}\Omega$ result in a nominal output voltage of 13.68 V and satisfy the recommendation that the value $R1$ be lower than 1 M Ω .

8.2.2.4 Output Capacitor Selection

For best output voltage filtering, a low ESR output capacitor is recommended. Ceramic capacitors have a low ESR value, but tantalum capacitors can be used as well, depending on the application. A 22- μF ceramic output capacitor works for most applications. Higher capacitor values can be used to improve the load transient regulation. See [Table 5](#) for the selection of the output capacitor.

Rearranging [Equation 6](#) and inserting the application parameters, the minimum value of output capacitance is given by [Equation 19](#).

$$C_o = \frac{1 - 0.69}{(1.2 \text{ MHz})(10 \text{ mV})} \left(1.8 \text{ A} - 0.45 \text{ A} - \left(\frac{13.5 \text{ V} - 5 \text{ V}}{3.9 \mu\text{H}} \right) \left(\frac{1 - 0.69}{1.2 \text{ MHz}} \right) \right) = 20.3 \mu\text{F} \quad (19)$$

The closest standard value is 22 μF . In practice, TI recommends connecting an additional 1- μF capacitor directly to the SUP pin to ensure a clean supply to the internal circuitry that runs from this supply voltage.

8.2.2.5 Input Capacitor Selection

For good input voltage filtering, low ESR ceramic capacitors are recommended. A 22- μF ceramic input capacitor is sufficient for most applications. For better input voltage filtering, this value can be increased. See [Table 5](#) for input capacitor recommendations. Equivalent parts can also be used.

Table 5. Input and Output Capacitance Selection

CAPACITANCE	VOLTAGE RATING	MANUFACTURER	PART NUMBER	SIZE
22 μF	16 V	Taiyo Yuden	EMK325BY226MM	1206
22 μF	6.3 V	Taiyo Yuden	JMK316BJ226	1206

8.2.2.6 Compensation

From [Table 1](#), it can be seen that the recommended values for $C9$ and $R9$ when $V_I = 5 \text{ V}$ are 2.2 nF and 0 Ω respectively, and that a feedforward zero at 11.2 kHz should be added.

Rearranging [Equation 7](#), we get

$$C15 = \frac{1}{2\pi f_{co}(R1)} \quad (20)$$

Inserting $f_{co} = 11.2 \text{ kHz}$ and $R1 = 820 \text{ k}\Omega$, we get

$$C15 = \frac{1}{2\pi(11.2 \text{ kHz})(820 \text{ k}\Omega)} = 17 \text{ pF}$$

In this case, a standard value of 22 pF was used.

8.2.2.7 Negative Charge Pump

8.2.2.7.1 Choosing the Output Capacitance

Rearranging [Equation 9](#) and inserting the application parameters, the minimum recommended value of $C3$ is given by

$$C3 = \frac{I_O}{2fV_{O(PP)}} = \frac{20 \text{ mA}}{2(1.2 \text{ MHz})(100 \text{ mV})} = 83 \text{ nF} \quad (21)$$

In this application, a capacitance of 330 nF was used to allow the same value to be used for all charge pump capacitances.

8.2.2.7.2 Choosing the Flying Capacitance

A minimum flying capacitance of 100 nF is recommended. In this application, a capacitance of 330 nF was used to allow the same value to be used for all charge pump capacitances.

8.2.2.7.3 Choosing the Feedback Resistors

From [Equation 22](#), the ratio of R3 to R4 required to generate an output voltage of –5 V is given by

$$R3 = -\left(\frac{V_O}{V_{(REF)}}\right)R4 = -\left(\frac{-5 \text{ V}}{1.213 \text{ V}}\right)R4 = (4.122)R4 \quad (22)$$

Values of R3 = 620 kΩ and R4 = 150 kΩ generate a nominal output voltage of –5.014 V and load the REF pin with only 8 μA.

8.2.2.7.4 Choosing the Diodes

The average forward current in D2 and D3 is equal to the output current and therefore a maximum of 20 mA. The peak repetitive forward current in D2 and D3 is equal to twice the output current and therefore less than 40 mA..

The BAT54S comprises two Schottky diodes in a small SOT-23 package and easily meets the current requirements of this application.

8.2.2.8 Positive Charge Pump

8.2.2.8.1 Choosing the Flying Capacitance

A minimum flying capacitance of 330 nF is recommended.

8.2.2.8.2 Choosing the Output Capacitance

Rearranging [Equation 10](#) and inserting the application parameters, we get

$$C4 = \frac{(20 \text{ mA})}{2(1.2 \text{ MHz})(100 \text{ mV})} = 83 \text{ nF} \quad (23)$$

In this application, a nominal value of 330 nF was used to allow the same value to be used for all charge pump capacitances.

8.2.2.8.3 Choosing the Feedback Resistors

Rearranging [Equation 8](#) and inserting the application parameters, we get

$$\frac{R5}{R6} = \frac{23 \text{ V}}{1.214 \text{ V}} - 1 = 17.95 \quad (24)$$

Standard values of 1 MΩ and 56 kΩ result in a nominal output voltage of 22.89 V.

8.2.2.8.4 Choosing the Diodes

The average forward current in D4 and D5 is equal to the output current and therefore a maximum of 20 mA. The peak repetitive forward current in D4 and D5 is equal to twice the output current and therefore less than 40 mA.

8.2.2.9 Gate Voltage Shaping

Rearranging [Equation 13](#) and inserting $I_{(ADJ)} = 200 \mu\text{A}$ and slope = 10 V/ μs , we get

$$C_{10} = \frac{I_{(ADJ)}}{\text{slope}} = \frac{200 \mu\text{A}}{10 \text{ V}/\mu\text{s}} = 20 \text{ pF} \quad (25)$$

The closest standard value for C10 is 22 pF.

8.2.2.10 Power-On Sequencing

Rearranging [Equation 12](#) and inserting $t_{d1} = t_{d2} = 1 \text{ ms}$ and $V_{\text{ref}2} = 1.213 \text{ V}$, we get

$$C_{11} = C_{12} = \frac{(5 \mu\text{A})(2.5 \text{ ms})}{1.213 \text{ V}} = 10.31 \text{ nF} \quad (26)$$

10 nF is the closest standard value.

8.2.2.11 Fault Delay

Rearranging [Equation 14](#) and inserting $t_{d(\text{FDLY})} = 45 \text{ ms}$, we get

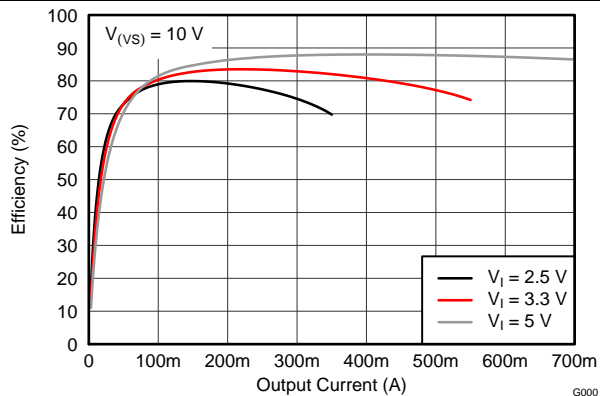
$$C_{\text{FDLY}} = \frac{45 \text{ ms}}{450 \text{ k}\Omega} = 100 \text{ nF} \quad (27)$$

100 nF is a standard value.

8.2.2.12 Undervoltage Lockout Function

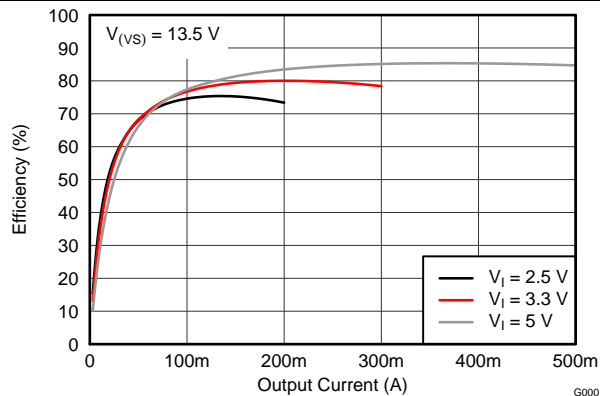
The TPS65150 device contains an undervoltage lockout (UVLO) function that stops the device operating if the voltage on the VDD pin is too low.

8.2.3 Application Curves



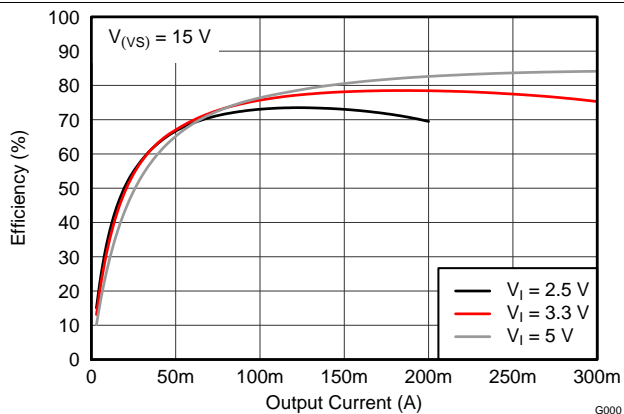
$I_{(VGH)} = 0 \text{ mA}$ $I_{(VGL)} = 0 \text{ mA}$

Figure 18. Boost Converter Efficiency ($V_{(VS)} = 10 \text{ V}$)



$I_{(VGH)} = 0 \text{ mA}$ $I_{(VGL)} = 0 \text{ mA}$

Figure 19. Boost Converter Efficiency ($V_{(VS)} = 13.5 \text{ V}$)



$I_{(VGH)} = 0 \text{ mA}$ $I_{(VGL)} = 0 \text{ mA}$

Figure 20. Boost Converter Efficiency ($V_{(VS)} = 15 \text{ V}$)

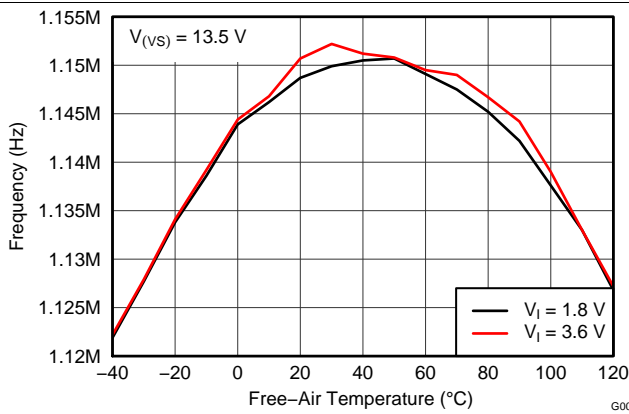


Figure 21. Boost Converter Switching Frequency

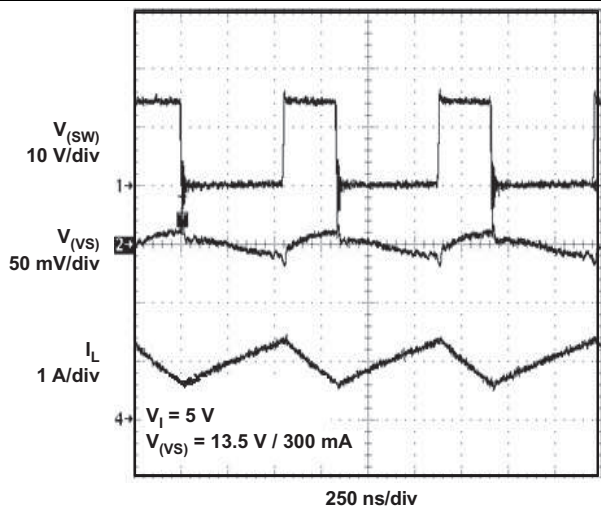


Figure 22. Boost Converter Operation (Nominal Load)

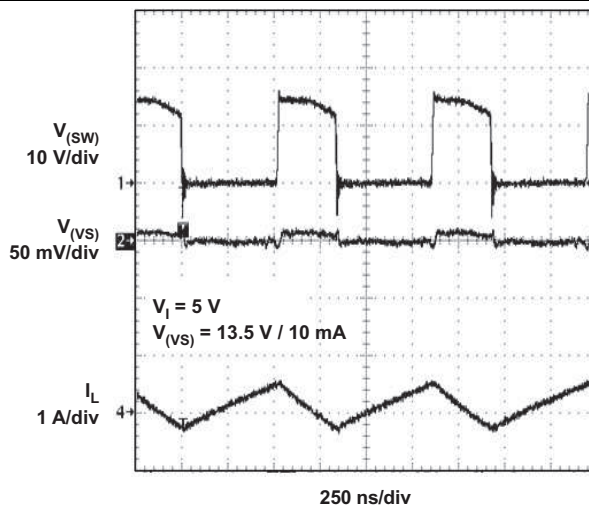


Figure 23. Boost Converter Operation (Light Load)

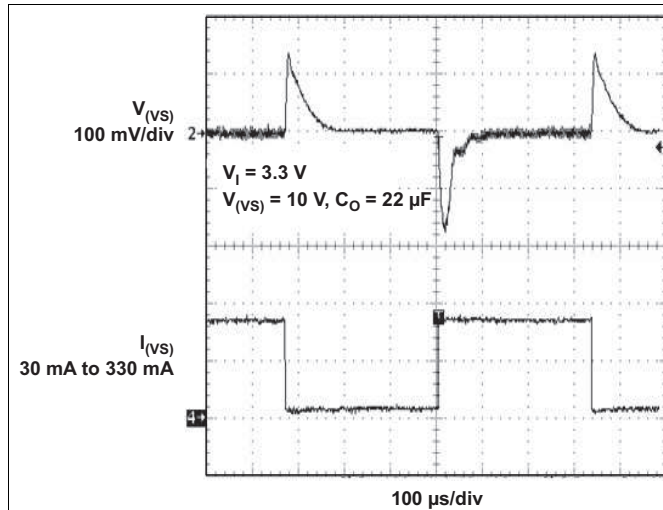


Figure 24. Boost Converter Load Transient Response

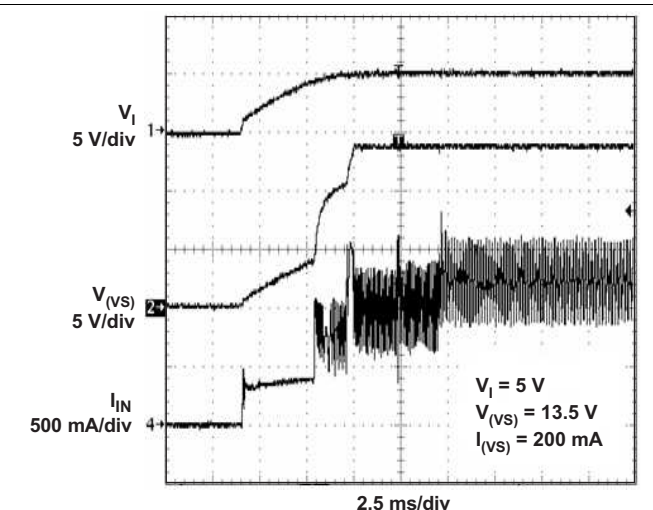


Figure 25. Boost Converter Soft Start

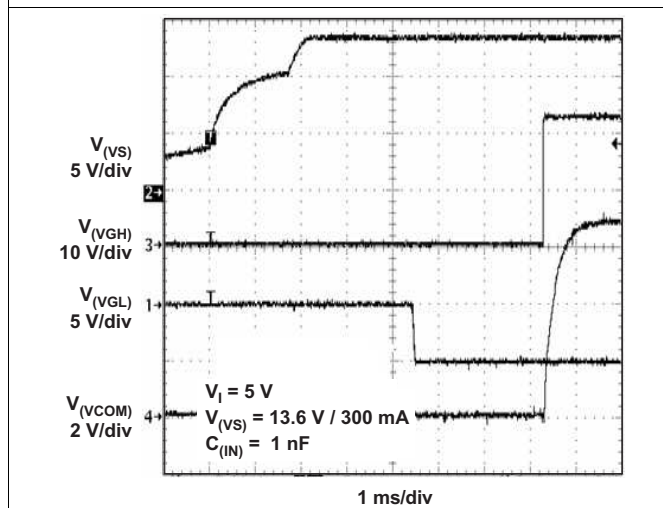


Figure 26. Power-On Sequencing

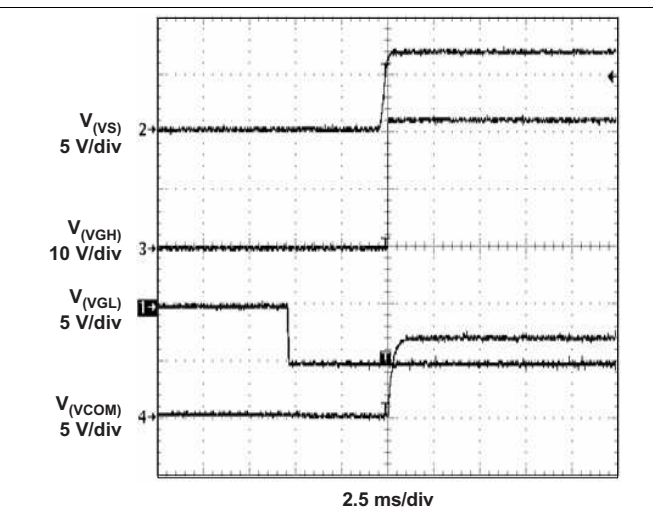


Figure 27. Power-On Sequencing With External Isolation MOSFET

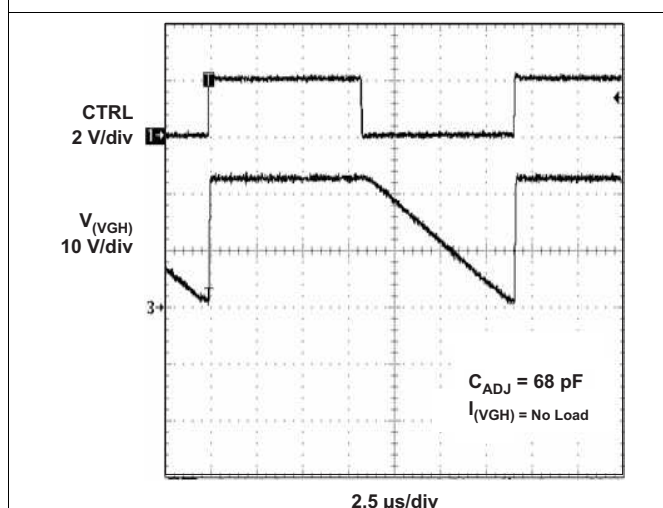


Figure 28. Gate Voltage Shaping

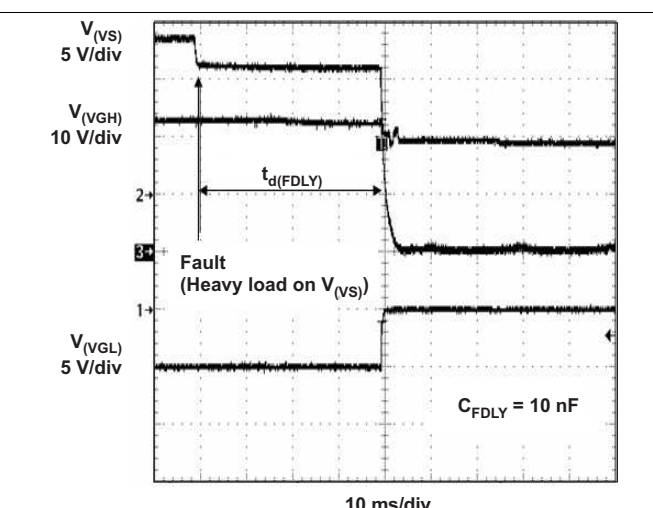


Figure 29. Adjustable Fault Detection Time

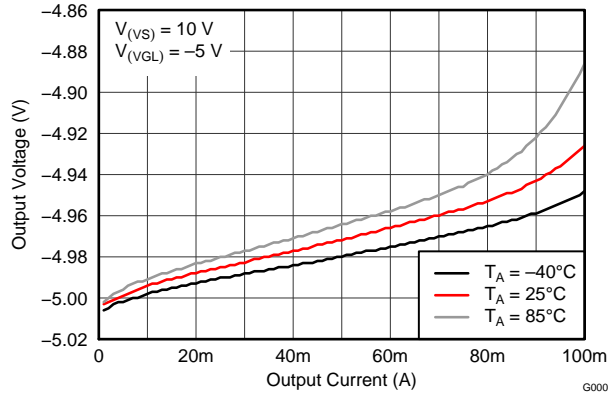


Figure 30. Negative Charge Pump Load Regulation

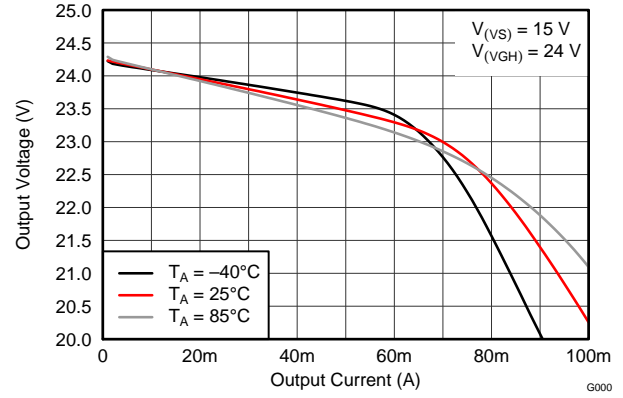


Figure 31. Positive Charge Pump Load Regulation (x2)

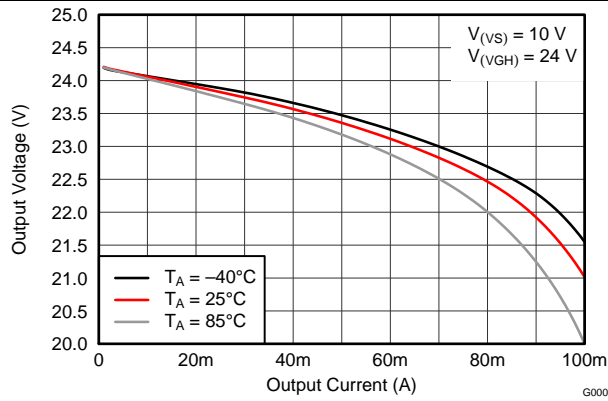


Figure 32. Positive Charge Pump Load Regulation (x3)

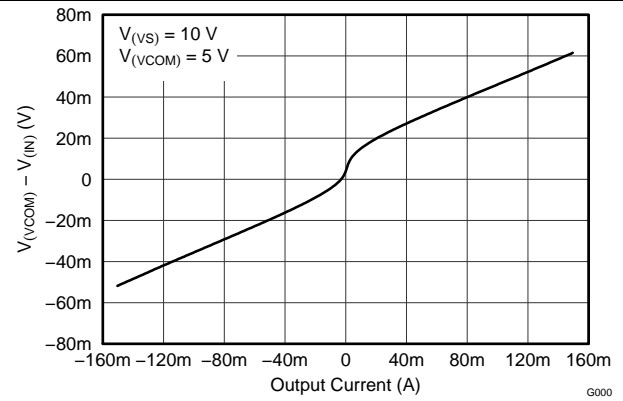
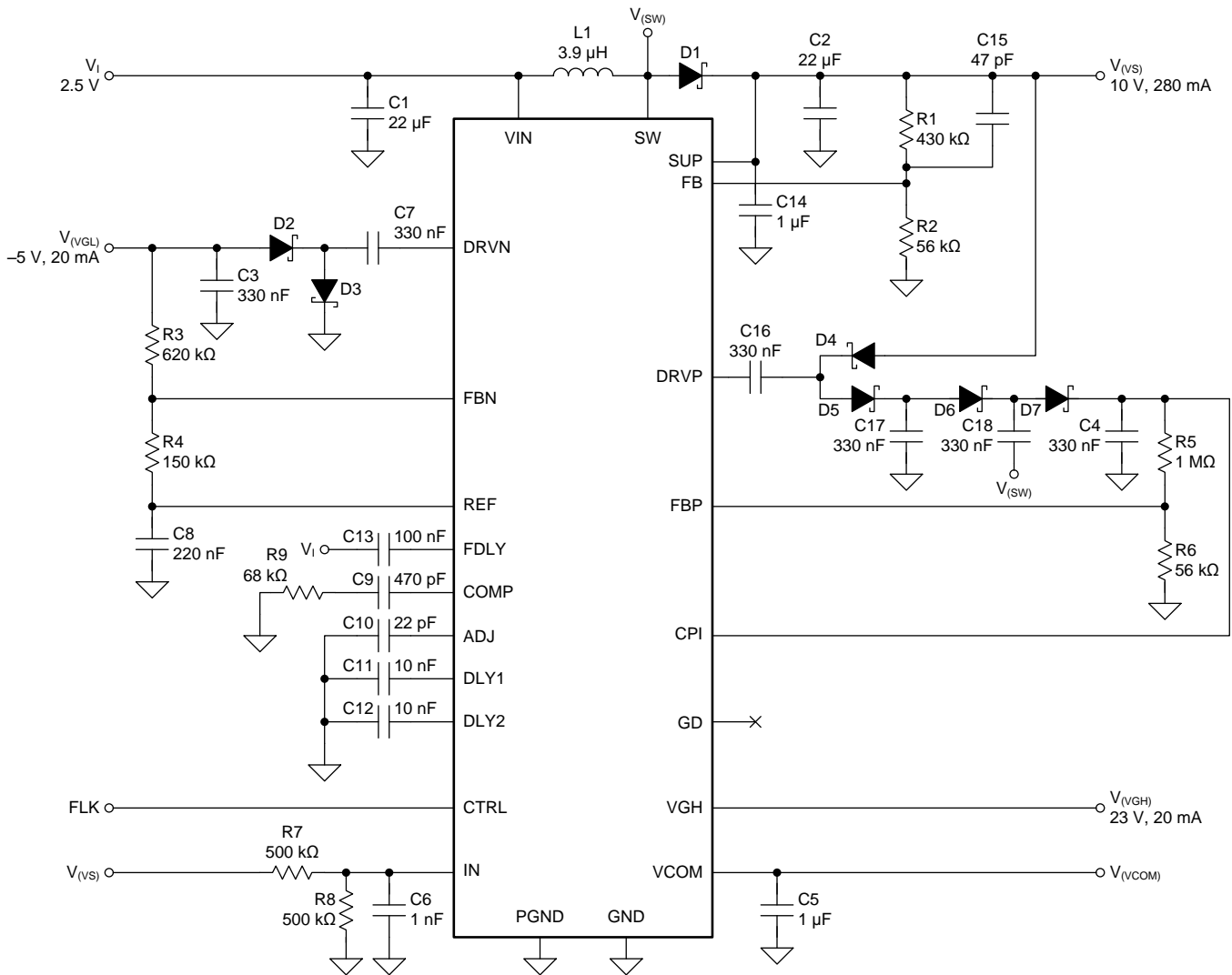


Figure 33. VCOM Buffer Load Regulation

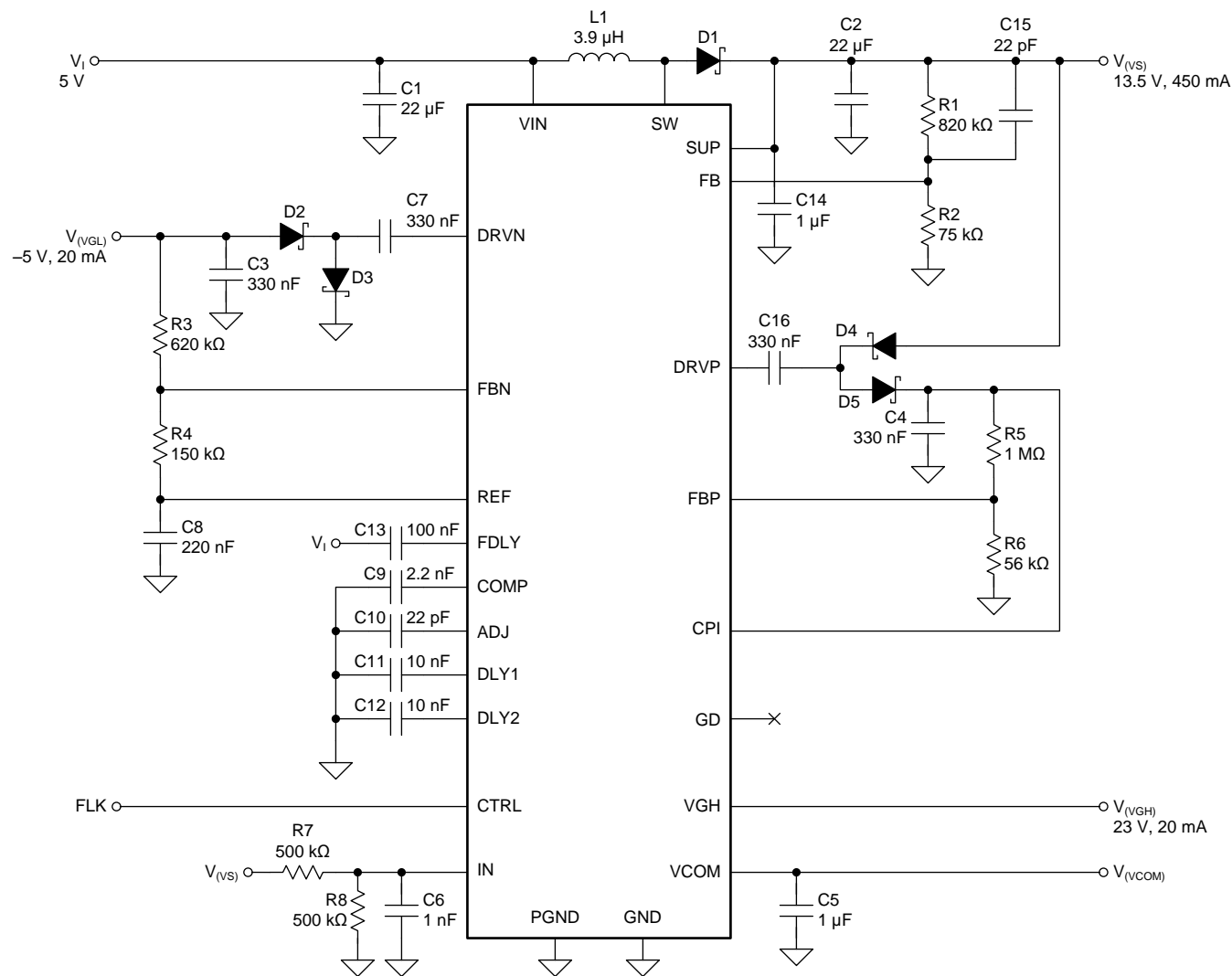
8.3 System Examples



Copyright © 2016, Texas Instruments Incorporated

Figure 34. Notebook LCD Supply Powered from a 2.5-V Rail

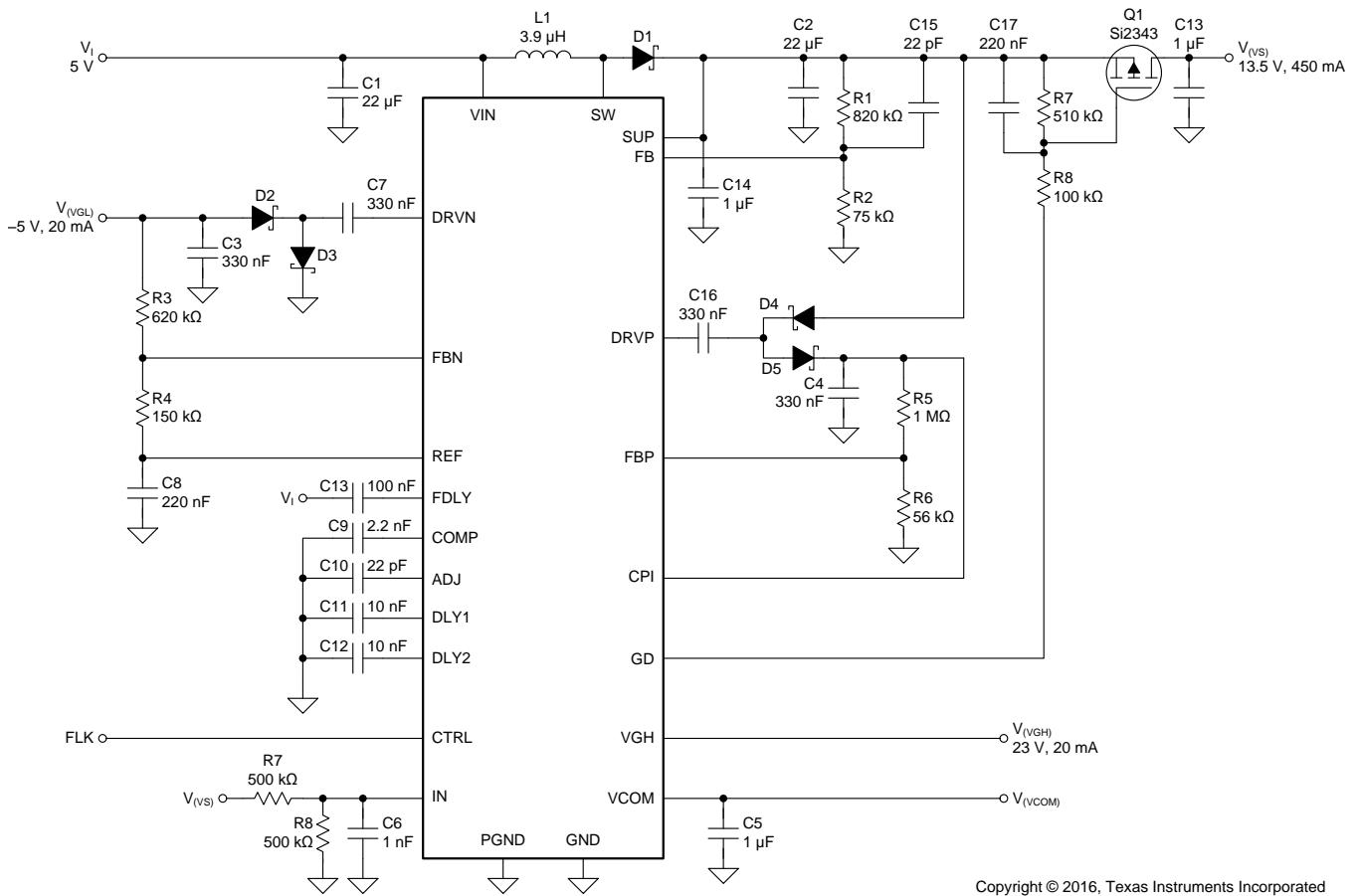
System Examples (continued)



Copyright © 2016, Texas Instruments Incorporated

Figure 35. Monitor LCD Supply Powered from a 5-V Rail

System Examples (continued)



Copyright © 2016, Texas Instruments Incorporated

Figure 36. Typical Isolation and Short Circuit Protection Switch for $V_{(VS)}$ Using Q1 and Gate Drive Signal (GD)

9 Power Supply Recommendations

The TPS65150 device is designed to operate with input supplies from 1.8 V to 6 V. Like most integrated circuits, the input supply should be stable and free of noise if the device's full performance is to be achieved. If the input is located more than a few centimeters away from the device, additional bulk capacitance may be required. The input capacitance shown in the application schematics in this data sheet is sufficient for typical applications.

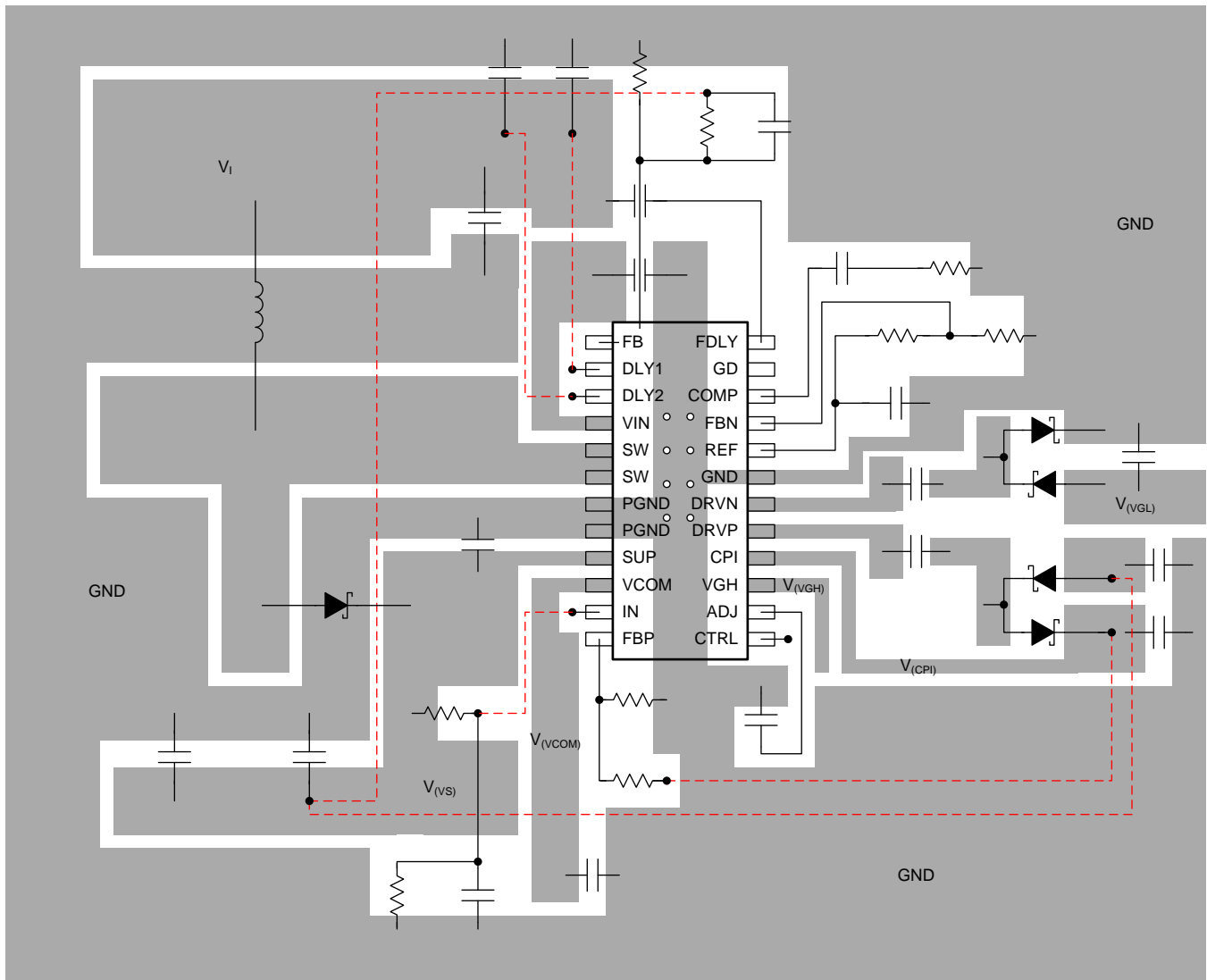
10 Layout

10.1 Layout Guidelines

The PCB layout is an important step in the power supply design. An incorrect layout could cause converter instability, load regulation problems, noise, and EMI issues. Especially with a switching DC-DC converter at high load currents, too-thin PCB traces can cause significant voltage spikes. Good grounding is also important. If possible, TI recommends using a common ground plane to minimize ground shifts between analog ground (GND) and power ground (PGND). Additionally, the following PCB design layout guidelines are recommended for the TPS65150 device:

1. Boost converter output capacitor, input capacitor and Power ground (PGND) should form a star ground or should be directly connected together on a common power ground plane.
2. Place the input capacitor directly from the input pin (VIN) to ground.
3. Use a bold PCB trace to connect SUP to the output Vs.
4. Place a small bypass capacitor from the SUP pin to ground.
5. Use short traces for the charge-pump drive pins (DRVN, DRVP) of VGH and VGL because these traces carry switching currents.
6. Place the charge pump flying capacitors as close as possible to the DRVP and DRVN pin, avoiding a high voltage spikes at these pins.
7. Place the Schottky diodes as close as possible to the device and to the flying capacitors connected to DRVP and DRVN.
8. Carefully route the charge pump traces to avoid interference with other circuits because they carry high voltage switching currents .
9. Place the output capacitor of the VCOM buffer as close as possible to the output pin (VCOM).
10. The thermal pad must be soldered to the PCB for correct thermal performance.

10.2 Layout Example



- Via to inner / bottom signal layer
- Thermal via to copper pour on inner / bottom signal layer

Figure 37. PCB Layout Example

11 Device and Documentation Support

11.1 Device Support

11.1.1 Third-Party Products Disclaimer

TI'S PUBLICATION OF INFORMATION REGARDING THIRD-PARTY PRODUCTS OR SERVICES DOES NOT CONSTITUTE AN ENDORSEMENT REGARDING THE SUITABILITY OF SUCH PRODUCTS OR SERVICES OR A WARRANTY, REPRESENTATION OR ENDORSEMENT OF SUCH PRODUCTS OR SERVICES, EITHER ALONE OR IN COMBINATION WITH ANY TI PRODUCT OR SERVICE.

11.2 Community Resources

The following links connect to TI community resources. Linked contents are provided "AS IS" by the respective contributors. They do not constitute TI specifications and do not necessarily reflect TI's views; see TI's [Terms of Use](#).

TI E2E™ Online Community *TI's Engineer-to-Engineer (E2E) Community*. Created to foster collaboration among engineers. At e2e.ti.com, you can ask questions, share knowledge, explore ideas and help solve problems with fellow engineers.

Design Support *TI's Design Support* Quickly find helpful E2E forums along with design support tools and contact information for technical support.

11.3 Trademarks

E2E is a trademark of Texas Instruments.
All other trademarks are the property of their respective owners.

11.4 Electrostatic Discharge Caution



These devices have limited built-in ESD protection. The leads should be shorted together or the device placed in conductive foam during storage or handling to prevent electrostatic damage to the MOS gates.

11.5 Glossary

[SLYZ022](#) — *TI Glossary*.

This glossary lists and explains terms, acronyms, and definitions.

12 Mechanical, Packaging, and Orderable Information

The following pages include mechanical, packaging, and orderable information. This information is the most current data available for the designated devices. This data is subject to change without notice and revision of this document. For browser-based versions of this data sheet, refer to the left-hand navigation.

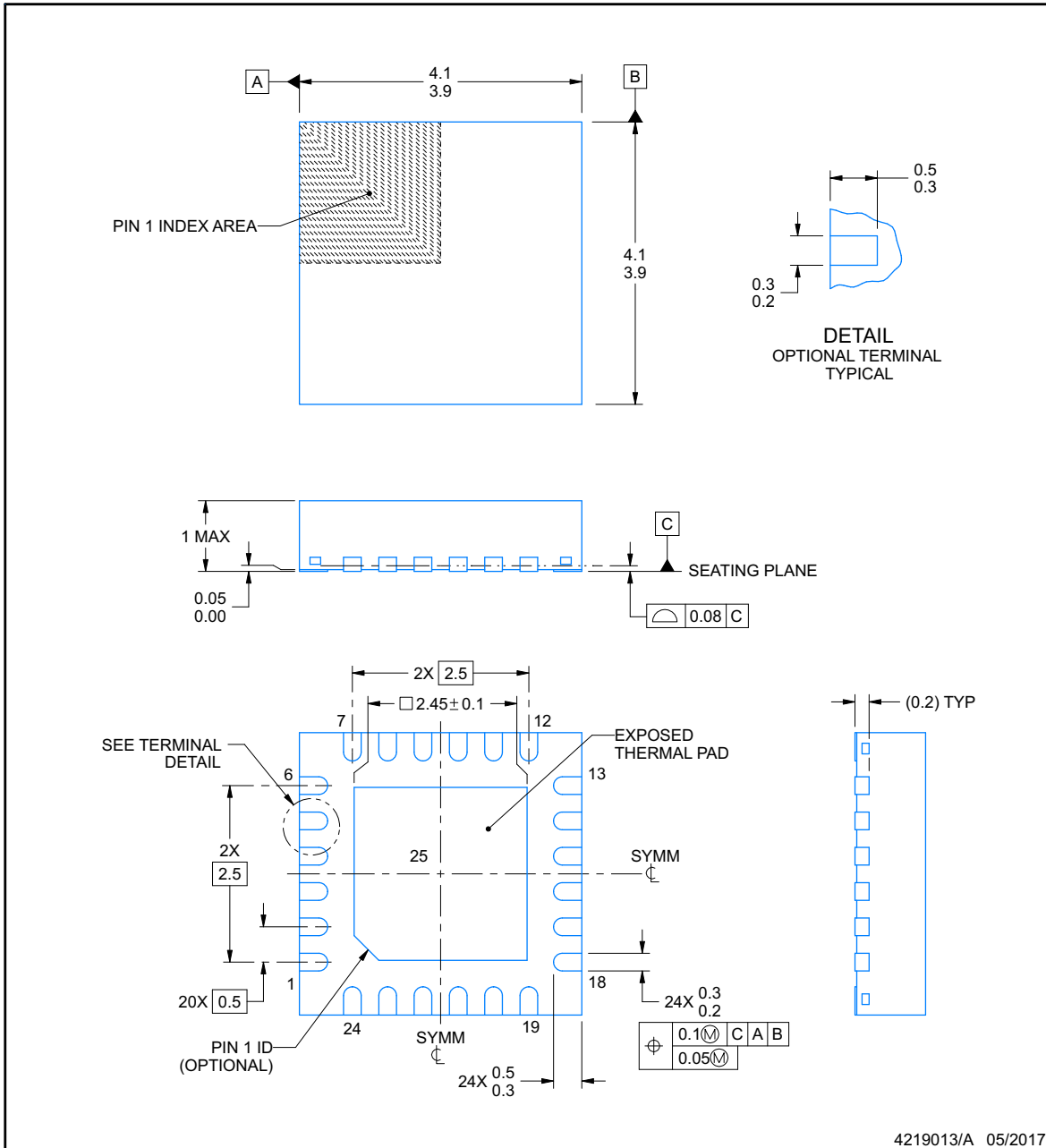


RGE0024B

PACKAGE OUTLINE

VQFN - 1 mm max height

PLASTIC QUAD FLATPACK - NO LEAD



4219013/A 05/2017

NOTES:

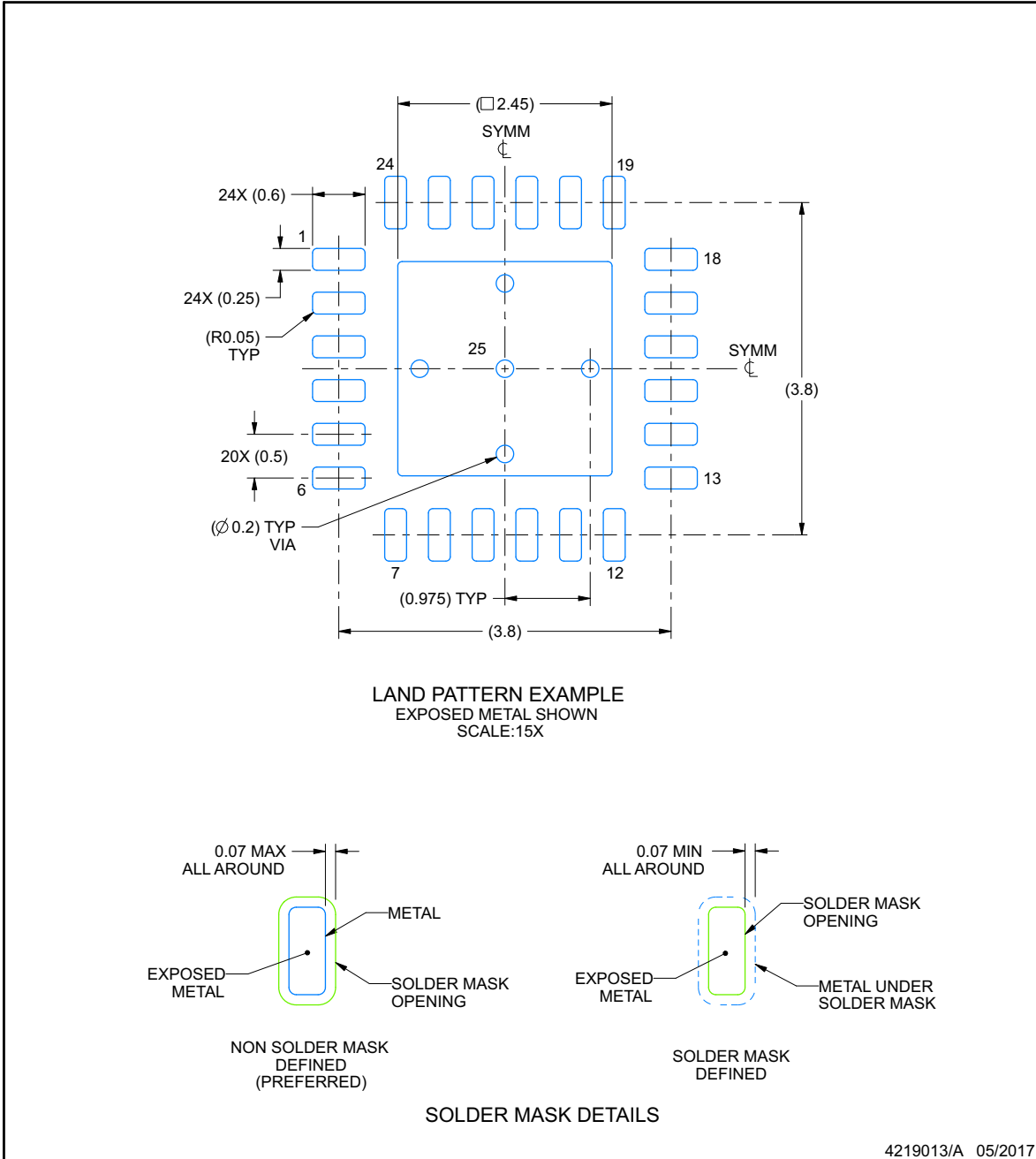
1. All linear dimensions are in millimeters. Any dimensions in parenthesis are for reference only. Dimensioning and tolerancing per ASME Y14.5M.
2. This drawing is subject to change without notice.
3. The package thermal pad must be soldered to the printed circuit board for thermal and mechanical performance.

EXAMPLE BOARD LAYOUT

RGE0024B

VQFN - 1 mm max height

PLASTIC QUAD FLATPACK - NO LEAD



NOTES: (continued)

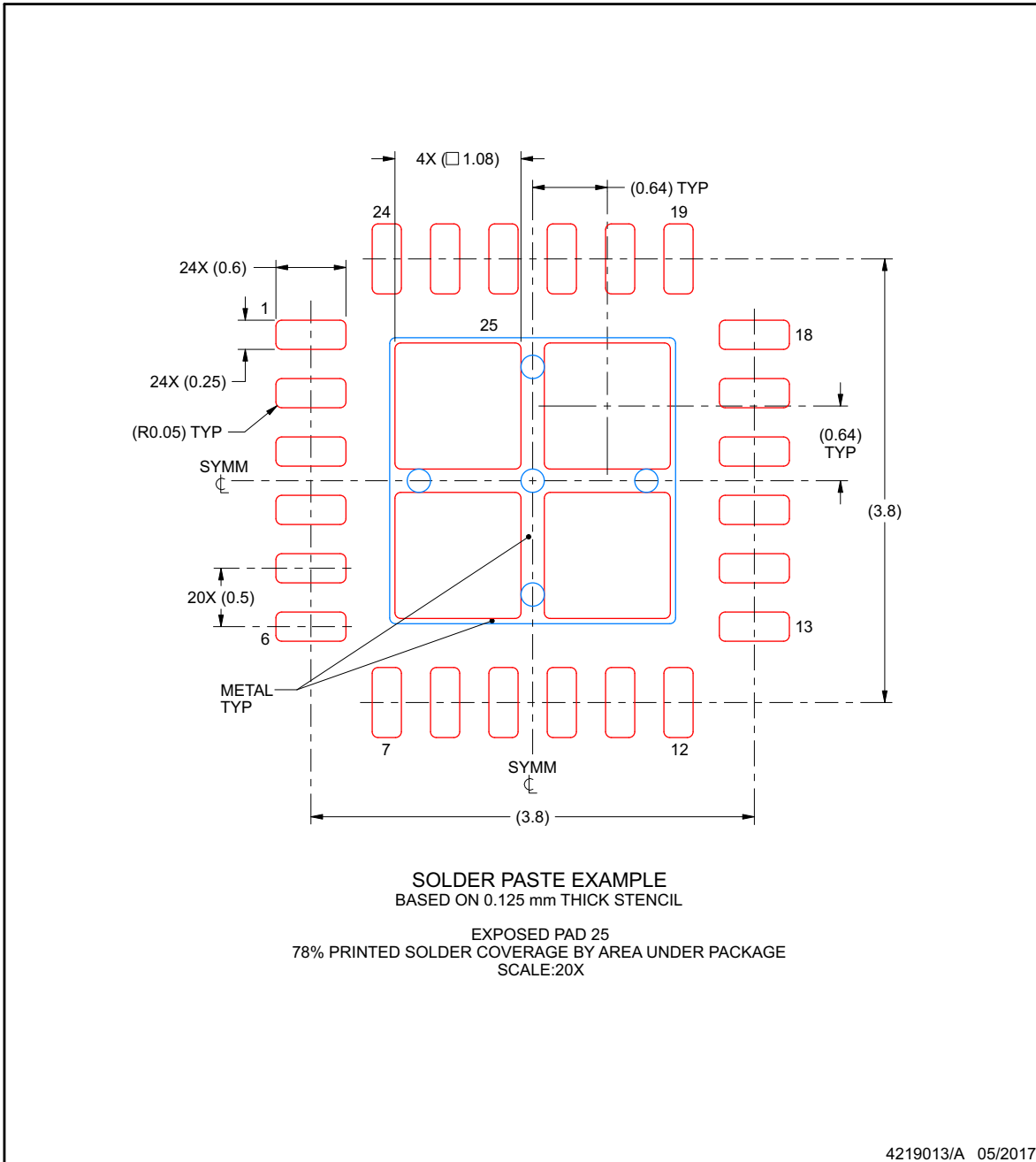
4. This package is designed to be soldered to a thermal pad on the board. For more information, see Texas Instruments literature number SLUA271 (www.ti.com/lit/slua271).
5. Vias are optional depending on application, refer to device data sheet. If any vias are implemented, refer to their locations shown on this view. It is recommended that vias under paste be filled, plugged or tented.

EXAMPLE STENCIL DESIGN

RGE0024B

VQFN - 1 mm max height

PLASTIC QUAD FLATPACK - NO LEAD



NOTES: (continued)

- 6. Laser cutting apertures with trapezoidal walls and rounded corners may offer better paste release. IPC-7525 may have alternate design recommendations.

MECHANICAL DATA

PWP (R-PDSO-G24)

PowerPAD™ PLASTIC SMALL OUTLINE



- NOTES:
- All linear dimensions are in millimeters.
 - This drawing is subject to change without notice.
 - Body dimensions do not include mold flash or protrusions. Mold flash and protrusion shall not exceed 0.15 per side.
 - This package is designed to be soldered to a thermal pad on the board. Refer to Technical Brief, PowerPad Thermally Enhanced Package, Texas Instruments Literature No. SLMA002 for information regarding recommended board layout. This document is available at www.ti.com <<http://www.ti.com>>.
 - See the additional figure in the Product Data Sheet for details regarding the exposed thermal pad features and dimensions.
 - Falls within JEDEC MO-153

PowerPAD is a trademark of Texas Instruments.

THERMAL PAD MECHANICAL DATA

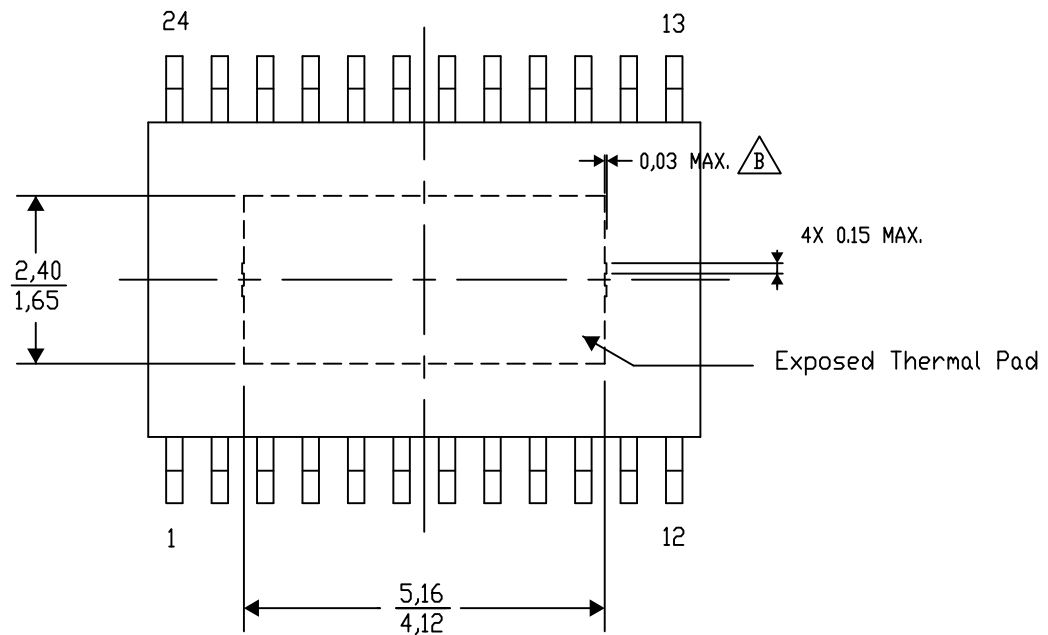
PWP (R-PDSO-G24) PowerPAD™ SMALL PLASTIC OUTLINE

THERMAL INFORMATION

This PowerPAD™ package incorporates an exposed thermal pad that is designed to be attached to a printed circuit board (PCB). The thermal pad must be soldered directly to the PCB. After soldering, the PCB can be used as a heatsink. In addition, through the use of thermal vias, the thermal pad can be attached directly to the appropriate copper plane shown in the electrical schematic for the device, or alternatively, can be attached to a special heatsink structure designed into the PCB. This design optimizes the heat transfer from the integrated circuit (IC).

For additional information on the PowerPAD package and how to take advantage of its heat dissipating abilities, refer to Technical Brief, PowerPAD Thermally Enhanced Package, Texas Instruments Literature No. SLMA002 and Application Brief, PowerPAD Made Easy, Texas Instruments Literature No. SLMA004. Both documents are available at www.ti.com.

The exposed thermal pad dimensions for this package are shown in the following illustration.



Top View

Exposed Thermal Pad Dimensions

4206332-29/AO 01/16

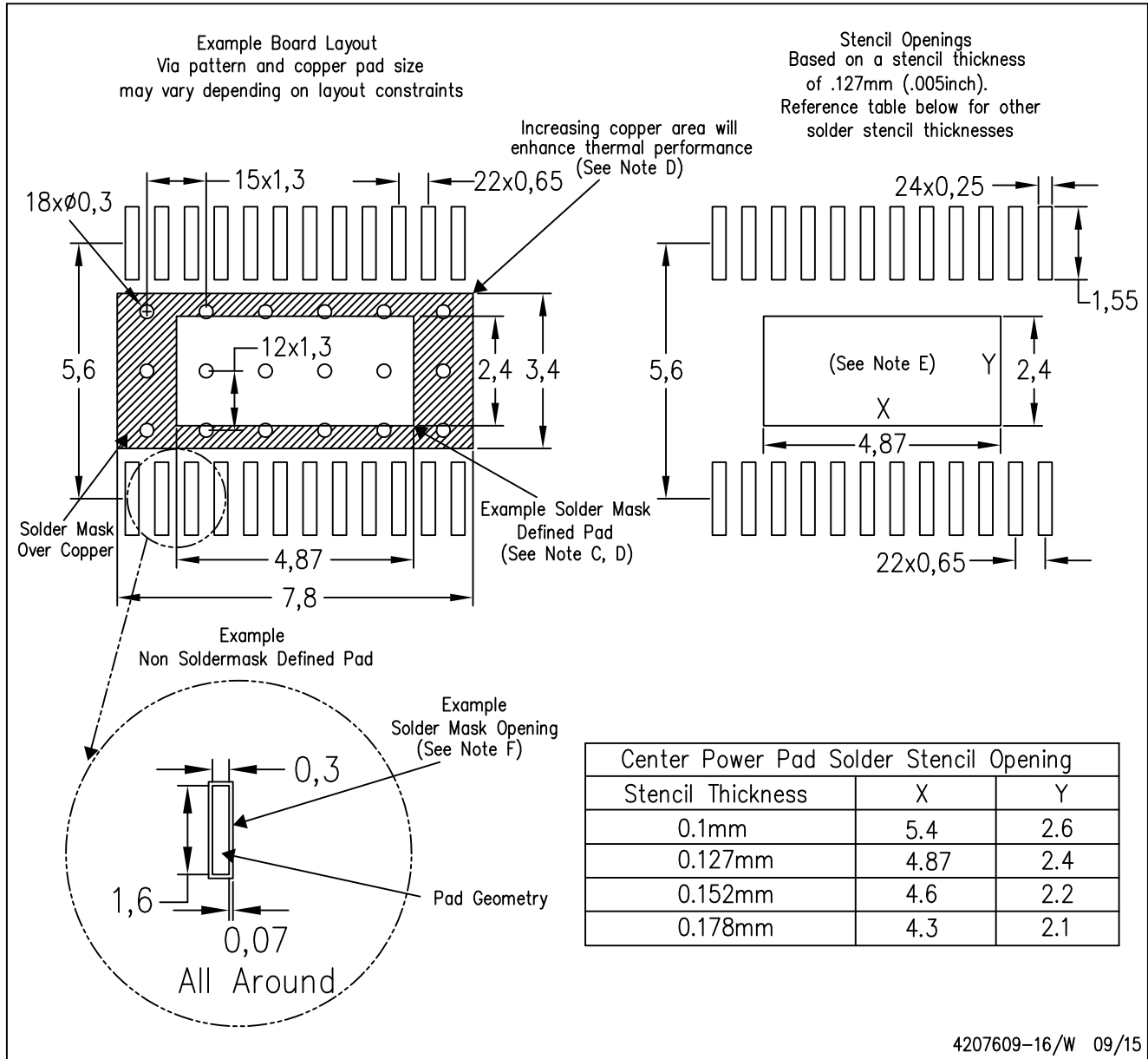
NOTE: A. All linear dimensions are in millimeters

B. Exposed tie strap features may not be present.

PowerPAD is a trademark of Texas Instruments

PWP (R-PDSO-G24)

PowerPAD™ PLASTIC SMALL OUTLINE



- NOTES:
- All linear dimensions are in millimeters.
 - This drawing is subject to change without notice.
 - Customers should place a note on the circuit board fabrication drawing not to alter the center solder mask defined pad.
 - This package is designed to be soldered to a thermal pad on the board. Refer to Technical Brief, PowerPAD Thermally Enhanced Package, Texas Instruments Literature No. SLMA002, SLMA004, and also the Product Data Sheets for specific thermal information, via requirements, and recommended board layout. These documents are available at www.ti.com <<http://www.ti.com>>. Publication IPC-7351 is recommended for alternate designs.
 - Laser cutting apertures with trapezoidal walls and also rounding corners will offer better paste release. Customers should contact their board assembly site for stencil design recommendations. Example stencil design based on a 50% volumetric metal load solder paste. Refer to IPC-7525 for other stencil recommendations.
 - Customers should contact their board fabrication site for solder mask tolerances between and around signal pads.

PACKAGING INFORMATION

Orderable part number	Status (1)	Material type (2)	Package Pins	Package qty Carrier	RoHS (3)	Lead finish/ Ball material (4)	MSL rating/ Peak reflow (5)	Op temp (°C)	Part marking (6)
TPS65150PWP	Active	Production	HTSSOP (PWP) 24	60 TUBE	Yes	NIPDAU	Level-2-260C-1 YEAR	-40 to 85	TPS65150
TPS65150PWP.A	Active	Production	HTSSOP (PWP) 24	60 TUBE	Yes	NIPDAU	Level-2-260C-1 YEAR	-40 to 85	TPS65150
TPS65150PWP.B	Active	Production	HTSSOP (PWP) 24	60 TUBE	Yes	NIPDAU	Level-2-260C-1 YEAR	-40 to 85	TPS65150
TPS65150PWPG4	Active	Production	HTSSOP (PWP) 24	60 TUBE	Yes	NIPDAU	Level-2-260C-1 YEAR	-40 to 85	TPS65150
TPS65150PWPR	Active	Production	HTSSOP (PWP) 24	2000 LARGE T&R	Yes	NIPDAU	Level-2-260C-1 YEAR	-40 to 85	TPS65150
TPS65150PWPR.A	Active	Production	HTSSOP (PWP) 24	2000 LARGE T&R	Yes	NIPDAU	Level-2-260C-1 YEAR	-40 to 85	TPS65150
TPS65150PWPR.B	Active	Production	HTSSOP (PWP) 24	2000 LARGE T&R	Yes	NIPDAU	Level-2-260C-1 YEAR	-40 to 85	TPS65150
TPS65150RGER	Active	Production	VQFN (RGE) 24	3000 LARGE T&R	Yes	NIPDAU	Level-2-260C-1 YEAR	-40 to 85	TPS 65150
TPS65150RGER.A	Active	Production	VQFN (RGE) 24	3000 LARGE T&R	Yes	NIPDAU	Level-2-260C-1 YEAR	-40 to 85	TPS 65150
TPS65150RGER.B	Active	Production	VQFN (RGE) 24	3000 LARGE T&R	Yes	NIPDAU	Level-2-260C-1 YEAR	-40 to 85	TPS 65150
TPS65150RGERG4	Active	Production	VQFN (RGE) 24	3000 LARGE T&R	Yes	NIPDAU	Level-2-260C-1 YEAR	-40 to 85	TPS 65150
TPS65150RGERG4.A	Active	Production	VQFN (RGE) 24	3000 LARGE T&R	Yes	NIPDAU	Level-2-260C-1 YEAR	-40 to 85	TPS 65150
TPS65150RGERG4.B	Active	Production	VQFN (RGE) 24	3000 LARGE T&R	Yes	NIPDAU	Level-2-260C-1 YEAR	-40 to 85	TPS 65150

(1) **Status:** For more details on status, see our [product life cycle](#).

(2) **Material type:** When designated, preproduction parts are prototypes/experimental devices, and are not yet approved or released for full production. Testing and final process, including without limitation quality assurance, reliability performance testing, and/or process qualification, may not yet be complete, and this item is subject to further changes or possible discontinuation. If available for ordering, purchases will be subject to an additional waiver at checkout, and are intended for early internal evaluation purposes only. These items are sold without warranties of any kind.

(3) **RoHS values:** Yes, No, RoHS Exempt. See the [TI RoHS Statement](#) for additional information and value definition.

(4) **Lead finish/Ball material:** Parts may have multiple material finish options. Finish options are separated by a vertical ruled line. Lead finish/Ball material values may wrap to two lines if the finish value exceeds the maximum column width.

(5) **MSL rating/Peak reflow:** The moisture sensitivity level ratings and peak solder (reflow) temperatures. In the event that a part has multiple moisture sensitivity ratings, only the lowest level per JEDEC standards is shown. Refer to the shipping label for the actual reflow temperature that will be used to mount the part to the printed circuit board.

(6) **Part marking:** There may be an additional marking, which relates to the logo, the lot trace code information, or the environmental category of the part.

Multiple part markings will be inside parentheses. Only one part marking contained in parentheses and separated by a "~" will appear on a part. If a line is indented then it is a continuation of the previous line and the two combined represent the entire part marking for that device.

Important Information and Disclaimer:The information provided on this page represents TI's knowledge and belief as of the date that it is provided. TI bases its knowledge and belief on information provided by third parties, and makes no representation or warranty as to the accuracy of such information. Efforts are underway to better integrate information from third parties. TI has taken and continues to take reasonable steps to provide representative and accurate information but may not have conducted destructive testing or chemical analysis on incoming materials and chemicals. TI and TI suppliers consider certain information to be proprietary, and thus CAS numbers and other limited information may not be available for release.

In no event shall TI's liability arising out of such information exceed the total purchase price of the TI part(s) at issue in this document sold by TI to Customer on an annual basis.

OTHER QUALIFIED VERSIONS OF TPS65150 :

- Automotive : [TPS65150-Q1](#)

NOTE: Qualified Version Definitions:

- Automotive - Q100 devices qualified for high-reliability automotive applications targeting zero defects

TAPE AND REEL INFORMATION

QUADRANT ASSIGNMENTS FOR PIN 1 ORIENTATION IN TAPE


*All dimensions are nominal

Device	Package Type	Package Drawing	Pins	SPQ	Reel Diameter (mm)	Reel Width W1 (mm)	A0 (mm)	B0 (mm)	K0 (mm)	P1 (mm)	W (mm)	Pin1 Quadrant
TPS65150PWPR	HTSSOP	PWP	24	2000	330.0	16.4	6.95	8.3	1.6	8.0	16.0	Q1
TPS65150RGER	VQFN	RGE	24	3000	330.0	12.4	4.25	4.25	1.15	8.0	12.0	Q2
TPS65150RGERG4	VQFN	RGE	24	3000	330.0	12.4	4.25	4.25	1.15	8.0	12.0	Q2

TAPE AND REEL BOX DIMENSIONS


*All dimensions are nominal

Device	Package Type	Package Drawing	Pins	SPQ	Length (mm)	Width (mm)	Height (mm)
TPS65150PWPR	HTSSOP	PWP	24	2000	350.0	350.0	43.0
TPS65150RGER	VQFN	RGE	24	3000	353.0	353.0	32.0
TPS65150RGERG4	VQFN	RGE	24	3000	353.0	353.0	32.0

TUBE


*All dimensions are nominal

Device	Package Name	Package Type	Pins	SPQ	L (mm)	W (mm)	T (μm)	B (mm)
TPS65150PWP	PWP	HTSSOP	24	60	530	10.2	3600	3.5
TPS65150PWP.A	PWP	HTSSOP	24	60	530	10.2	3600	3.5
TPS65150PWP.B	PWP	HTSSOP	24	60	530	10.2	3600	3.5
TPS65150PWPG4	PWP	HTSSOP	24	60	530	10.2	3600	3.5

IMPORTANT NOTICE AND DISCLAIMER

TI PROVIDES TECHNICAL AND RELIABILITY DATA (INCLUDING DATASHEETS), DESIGN RESOURCES (INCLUDING REFERENCE DESIGNS), APPLICATION OR OTHER DESIGN ADVICE, WEB TOOLS, SAFETY INFORMATION, AND OTHER RESOURCES "AS IS" AND WITH ALL FAULTS, AND DISCLAIMS ALL WARRANTIES, EXPRESS AND IMPLIED, INCLUDING WITHOUT LIMITATION ANY IMPLIED WARRANTIES OF MERCHANTABILITY, FITNESS FOR A PARTICULAR PURPOSE OR NON-INFRINGEMENT OF THIRD PARTY INTELLECTUAL PROPERTY RIGHTS.

These resources are intended for skilled developers designing with TI products. You are solely responsible for (1) selecting the appropriate TI products for your application, (2) designing, validating and testing your application, and (3) ensuring your application meets applicable standards, and any other safety, security, regulatory or other requirements.

These resources are subject to change without notice. TI grants you permission to use these resources only for development of an application that uses the TI products described in the resource. Other reproduction and display of these resources is prohibited. No license is granted to any other TI intellectual property right or to any third party intellectual property right. TI disclaims responsibility for, and you fully indemnify TI and its representatives against any claims, damages, costs, losses, and liabilities arising out of your use of these resources.

TI's products are provided subject to [TI's Terms of Sale](#), [TI's General Quality Guidelines](#), or other applicable terms available either on [ti.com](#) or provided in conjunction with such TI products. TI's provision of these resources does not expand or otherwise alter TI's applicable warranties or warranty disclaimers for TI products. Unless TI explicitly designates a product as custom or customer-specified, TI products are standard, catalog, general purpose devices.

TI objects to and rejects any additional or different terms you may propose.

Copyright © 2025, Texas Instruments Incorporated

Last updated 10/2025