

TPS923650/1 65V 1A/2A Boost/Buck-Boost LED Driver with PWM/Analog Dimming

1 Features

- 4.5V to 65V wide input range
- LED common cathode connection
- Integrated 300mΩ MOSFET:
 - Typical current limit (1.6A / 3.2A)
 - Switching frequency (400kHz / 1MHz)
- Advanced dimming options:
 - Analog dimming (200:1)
 - Fast PWM dimming (50ns pulse width)
- Full protection features:
 - LED open and short protection
 - Switching FET open and short protection
 - External component failure protection
 - Cycle-by-cycle current limit
 - Thermal shutdown
- Package: WSON-8, HVSSOP-8, SOT583

2 Applications

- Constant illumination:
 - Indoor and outdoor lighting
 - Appliance lighting
 - Cold/warm WLED lighting
 - Emergency and signage lighting
 - Security floodlight
 - LED bulb and lamp
 - LCD backlight
- Instant illumination:
 - Machine vision and camera flash
 - Fire alarm and strobe

3 Description

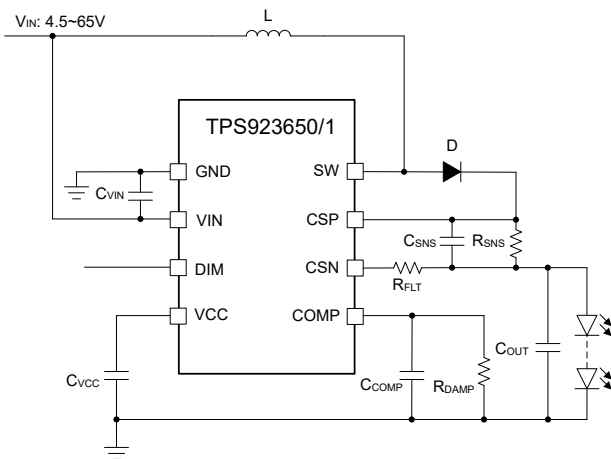
The TPS92365x family is a 1A / 2A non-synchronous Buck LED driver with 4.5V to 65V wide input range. By integrating the low-side NMOS, the device is capable of driving LEDs with high power density and high efficiency. The device also supports common cathode connection and single layer PCB. The switching frequency is set at 400kHz or 1MHz.

The TPS92365x family support PWM dimming by configuring through the DIM input pins by means of simple high and low signals. The TPS92365x family support analog dimming by configuring through the DIM input pins by means of analog voltage signals. The device adopts an adaptive off-time current mode control along with smart and accurate sampling to enable fast PWM dimming and achieve high dimming ratio.

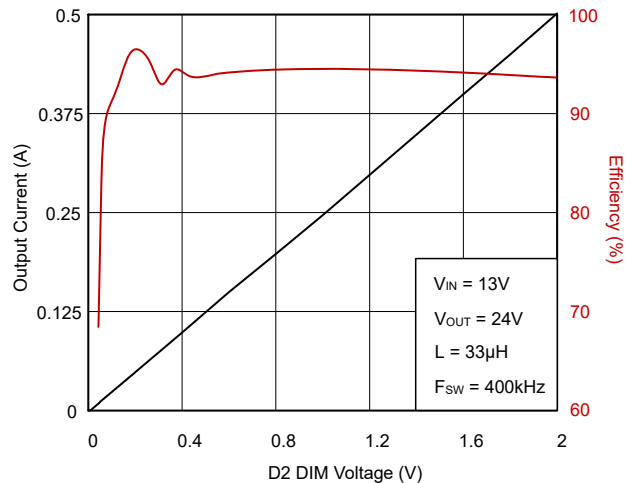
The TPS92365x family also provides multiple systematic protections, including LED open and short, switching FET open and short, sense resistor open and short, and thermal shutdown.

Device Information

| PART NUMBER | PACKAGE | BODY SIZE (NOM) |
|-------------|------------|-----------------|
| TPS923650 | WSON (8) | 2.0mm x 2.0mm |
| TPS923651 | HVSSOP (8) | 3.0mm x 3.0mm |
| TPS923650 | SOT583 (8) | 2.0mm x 1.2mm |



Simplified Schematic



Dimming Linearity and Efficiency



Table of Contents

| | | | |
|--|-----------|--|-----------|
| 1 Features | 1 | 8 Application and Implementation | 15 |
| 2 Applications | 1 | 8.1 Application Information..... | 15 |
| 3 Description | 1 | 8.2 Typical Application..... | 15 |
| 4 Device Comparison Table | 3 | 8.3 Power Supply Recommendations..... | 25 |
| 5 Pin Configuration and Functions | 4 | 8.4 Layout..... | 25 |
| 6 Specifications | 6 | 9 Device and Documentation Support | 27 |
| 6.1 Absolute Maximum Ratings..... | 6 | 9.1 Receiving Notification of Documentation Updates.... | 27 |
| 6.2 ESD Ratings..... | 6 | 9.2 Support Resources..... | 27 |
| 6.3 Recommended Operating Conditions..... | 6 | 9.3 Trademarks..... | 27 |
| 6.4 Thermal Information..... | 6 | 9.4 Electrostatic Discharge Caution..... | 27 |
| 6.5 Electrical Characteristics..... | 7 | 9.5 Glossary..... | 27 |
| 6.6 Typical Characteristics..... | 8 | 10 Revision History | 27 |
| 7 Detailed Description | 10 | 11 Mechanical, Packaging, and Orderable Information | 27 |
| 7.1 Overview..... | 10 | 11.1 Package Option Addendum..... | 27 |
| 7.2 Functional Block Diagram..... | 10 | 11.2 Tape and Reel Information..... | 29 |
| 7.3 Feature Description..... | 11 | | |

4 Device Comparison Table

| Part Number | Package | Typical Current Limit | Switching Frequency | LED Dimming | Junction Temperature |
|-----------------|------------|-----------------------|---------------------|-------------|----------------------|
| TPS923651D1DSGR | WSON (8) | 3A | 400kHz | PWM | -40°C to 125°C |
| TPS923651D2DSGR | WSON (8) | 3A | 400kHz | Analog | -40°C to 125°C |
| TPS923651D1DGNR | HVSSOP (8) | 3A | 400kHz | PWM | -40°C to 125°C |
| TPS923651D2DGNR | HVSSOP (8) | 3A | 400kHz | Analog | -40°C to 125°C |
| TPS923650D1DSGR | WSON (8) | 1.5A | 1MHz | PWM | -40°C to 125°C |
| TPS923650D2DSGR | WSON (8) | 1.5A | 1MHz | Analog | -40°C to 125°C |
| TPS923650D1DGNR | HVSSOP (8) | 1.5A | 1MHz | PWM | -40°C to 125°C |
| TPS923650D2DGNR | HVSSOP (8) | 1.5A | 1MHz | Analog | -40°C to 125°C |
| TPS923650D1DRLR | SOT583 (8) | 1.5A | 400kHz | PWM | -40°C to 125°C |
| TPS923650D2DRLR | SOT583 (8) | 1.5A | 400kHz | Analog | -40°C to 125°C |

5 Pin Configuration and Functions

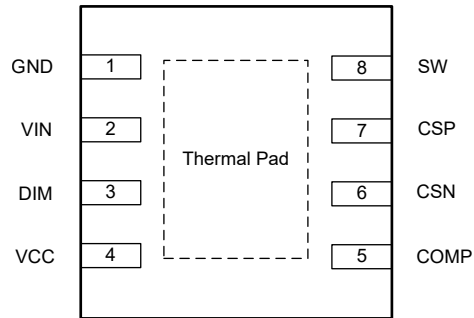


Figure 5-1. 8-Pin WSON Top View

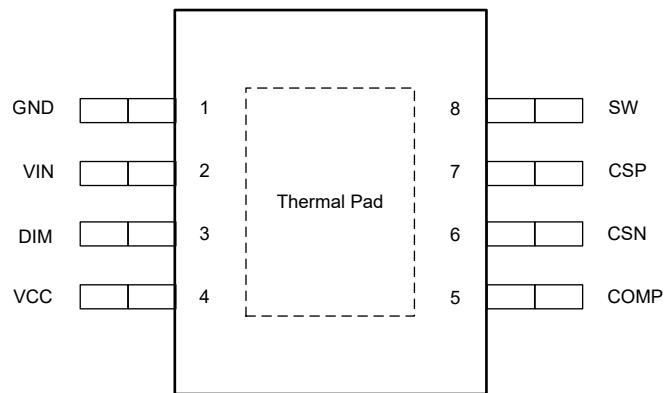


Figure 5-2. 8-Pin HVSSOP Top View

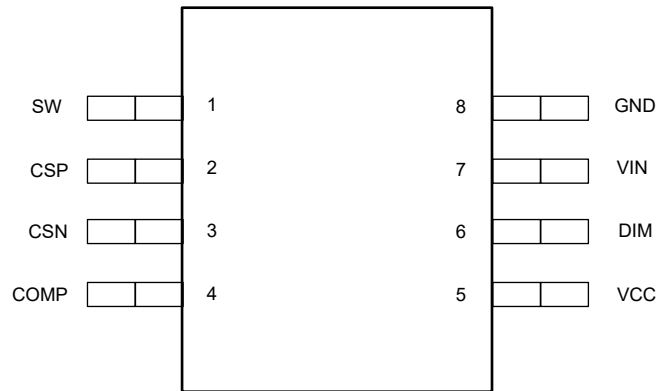


Figure 5-3. 8-Pin SOT583 Top View

Table 5-1. Pin Functions

| NAME | PIN | | | TYPE ⁽¹⁾ | DESCRIPTION |
|-------------|--------------|-------------|-------------|---------------------|--|
| | WSON Package | SOP Package | SOT Package | | |
| GND | 1 | 1 | 8 | G | Ground pin. |
| VIN | 2 | 2 | 7 | P | Input power pin. |
| DIM | 3 | 3 | 6 | I | PWM dimming pin for D1 version. Input PWM signal for PWM dimming. Analog dimming pin for D2 version. Input analog signal for analog dimming. |
| VCC | 4 | 4 | 5 | P | Internal LDO output pin. Connect with a 16V, 1µF capacitor to GND. |
| COMP | 5 | 5 | 4 | I/O | Error-amplifier output. Connect capacitors to GND. Different capacitor values determine different softstart times and bandwidths. |
| CSN | 6 | 6 | 3 | I | LED current sense negative pin. |
| CSP | 7 | 7 | 2 | I | LED current sense positive pin. |
| SW | 8 | 8 | 1 | P | Switching node pin. Internally connected to the low-side MOSFET. Connect with the power inductor and the schottky diode. |
| Thermal Pad | Y | Y | N/A | NC | No connection. |

(1) I = Input, O = Output, P = Supply, G = Ground

6 Specifications

6.1 Absolute Maximum Ratings

over operating ambient temperature range (unless otherwise noted)⁽¹⁾

| | | MIN | MAX | UNIT |
|-----------------------------------|----------------------|------|-----|------|
| Voltage on pins VIN, CSP, CSN, SW | | -0.3 | 65 | V |
| Voltage on pins VCC, DIM, COMP | | -0.3 | 5.5 | V |
| T _J | Junction temperature | -40 | 125 | °C |
| T _{stg} | Storage temperature | -65 | 150 | °C |

- (1) Stresses beyond those listed under *Absolute Maximum Ratings* may cause permanent damage to the device. These are stress ratings only, which do not imply functional operation of the device at these or any other conditions beyond those indicated under *Recommended Operating Conditions*. Exposure to absolute-maximum-rated conditions for extended periods may affect device reliability.

6.2 ESD Ratings

| | | | VALUE | UNIT |
|--------------------|-------------------------|--|-------|------|
| V _(ESD) | Electrostatic discharge | Human-body model (HBM), per ANSI/ESDA/JEDEC JS-001 ⁽¹⁾ | ±2000 | V |
| | | Charged-device model (CDM), per JEDEC specification JESD22-C101 ⁽²⁾ | ±500 | |

- (1) JEDEC document JEP155 states that 500V HBM allows safe manufacturing with a standard ESD control process.
 (2) JEDEC document JEP157 states that 250V CDM allows safe manufacturing with a standard ESD control process.

6.3 Recommended Operating Conditions

over operating ambient temperature range (unless otherwise noted)

| | | MIN | MAX | UNIT |
|-------------------------------------|--------------------------------------|-----|-----|------|
| V _{IN} | Supply voltage range | 4.5 | 63 | V |
| V _{SW} | Switching node voltage range | 0 | 63 | V |
| V _{CSP} , V _{CSN} | Sense common-mode voltage range | 0 | 63 | V |
| V _{VCC} | LDO output voltage range | 0 | 5 | V |
| V _{DIM} | Dimming voltage range | 0 | 5 | V |
| V _{COMP} | Compensation capacitor voltage range | 0 | 5 | V |
| T _A | Operating ambient temperature | -40 | 85 | °C |

6.4 Thermal Information

| THERMAL METRIC ⁽¹⁾ | | TPS923650/1 | TPS923650/1 | TPS923650 | UNIT |
|-------------------------------|--|-------------|-------------|-----------|------|
| | | WSON | HVSSOP | SOT | |
| | | 8 PINS | 8 PINS | 8 PINS | |
| R _{θJA} | Junction-to-ambient thermal resistance | 66.9 | 47.8 | 113.1 | °C/W |
| R _{θJC(top)} | Junction-to-case (top) thermal resistance | 79.2 | 74.1 | 41.9 | °C/W |
| R _{θJB} | Junction-to-board thermal resistance | 31.1 | 20.4 | 24.0 | °C/W |
| ψ _{JT} | Junction-to-top characterization parameter | 2.2 | 4.6 | 1.0 | °C/W |
| ψ _{JB} | Junction-to-board characterization parameter | 31.1 | 20.4 | 23.6 | °C/W |

- (1) For more information about traditional and new thermal metrics, see the *Semiconductor and IC Package Thermal Metrics* application report, [SPRA953](#).

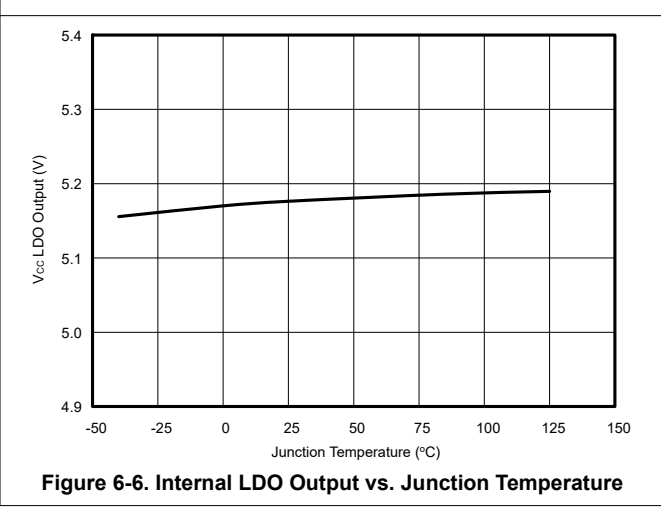
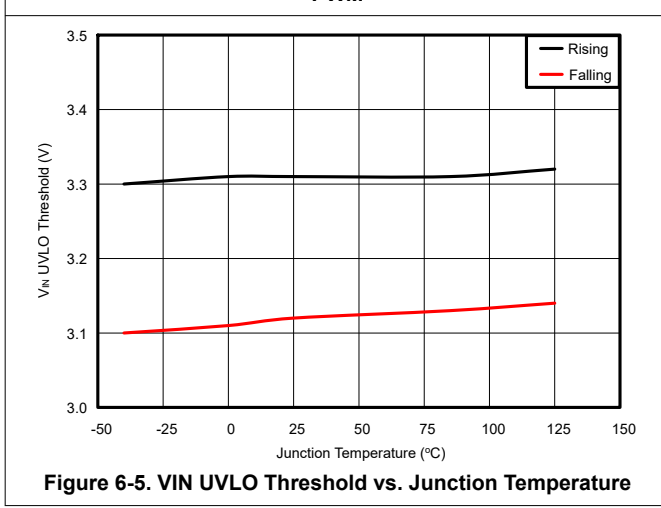
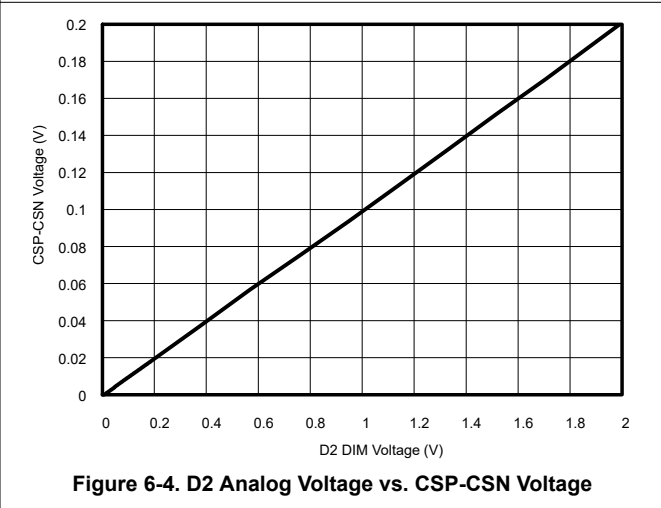
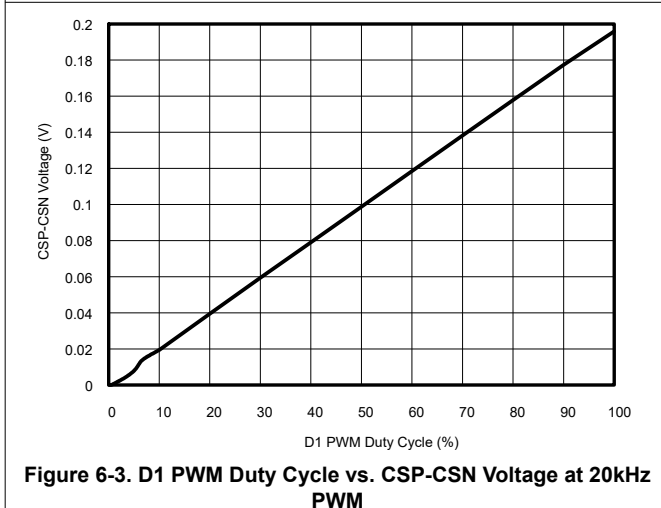
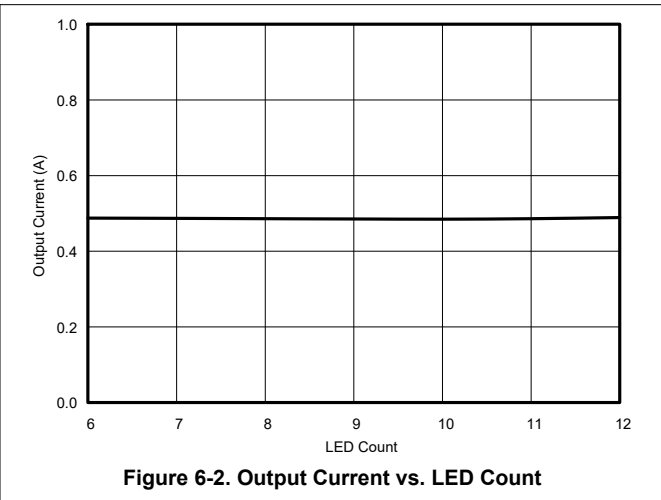
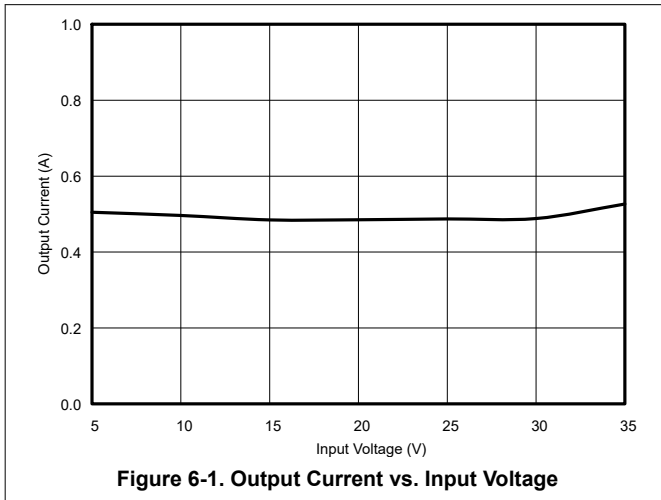
6.5 Electrical Characteristics

The electrical ratings specified in this section apply to all specifications in this document, unless otherwise noted. These specifications are interpreted as conditions that do not degrade the device parametric or functional specifications for the life of the product containing it. $T_J = -40^{\circ}\text{C}$ to $+125^{\circ}\text{C}$, $V_{IN} = 7\text{V}$, (unless otherwise noted).

| PARAMETER | | TEST CONDITIONS | MIN | TYP | MAX | UNIT |
|-------------------------------------|--|---|----------|----------|----------|--------------------|
| INPUT SUPPLY | | | | | | |
| V_{VIN_UVLO} | V_{IN} undervoltage lockout | Rising V_{IN} | 3.0 | 3.2 | 3.4 | V |
| | | Falling V_{IN} | 2.8 | 3.0 | 3.2 | V |
| | Hysteresis | | | 0.2 | | V |
| I_{OFF} | PWM off quiescent current from V_{IN} | $V_{DIM} = 0\text{V}$, device enabled | | 1.0 | 1.3 | mA |
| I_{OP} | Normal operating current | 400kHz switching frequency | | 2.3 | | mA |
| I_{OP} | Normal operating current | 1MHz switching frequency | | 3.5 | | mA |
| V_{VCC} | Internal LDO output voltage | $I_{VCC} = 5\text{mA}$ | 5.0 | 5.15 | 5.3 | V |
| I_{VCC_LIM} | Internal LDO output current limit | | 15 | 20 | 26 | mA |
| DIMMING | | | | | | |
| V_{PWM_L} | DIM low-level input voltage (D1 version) | | | | 0.4 | V |
| V_{PWM_H} | DIM high-level input voltage (D1 version) | | 1.2 | | | V |
| $t_{PWM_OUT_ON}$ | PWM output minimum on time (D1 version) | | | | 100 | ns |
| $t_{PWM_IN_ON}$ | PWM input minimum on time (D1 version) | | | | 100 | ns |
| V_{ADIM} | DIM input voltage range (D2 version) | | 0 | | 2.2 | V |
| FEEDBACK AND ERROR AMPLIFIER | | | | | | |
| $g_{M(ea)}$ | Transconductance gain | $V_{DIM} = 2\text{V}$, $V_{CSP-CSN} = 200\text{mV}$ | 205 | 265 | 325 | $\mu\text{A/V}$ |
| I_{COMP} | Source/sink current | $V_{DIM} = 2\text{V}$, $V_{CSP-CSN} = 200\text{mV} \pm 200\text{mV}$ | ± 24 | ± 40 | ± 56 | μA |
| V_{REF} | CSP-CSN pin voltage | $V_{DIM} = 2\text{V}$ | 193 | 200 | 207 | mV |
| V_{REF} | CSP-CSN pin voltage | $V_{DIM} = 0.2\text{V}$ | 18.5 | 20 | 21.5 | mV |
| POWER STAGE | | | | | | |
| R_{DSON} | Switching FET on resistance | $V_{IN} \geq 5\text{V}$ | | 300 | | m Ω |
| t_{min_ON} | Switching FET minimum on time | | | 140 | 160 | ns |
| t_{min_OFF} | Switching FET minimum off time | | | 140 | 160 | ns |
| f_{SW} | Switching FET frequency (TPS923651, TPS923650DRLR) | | | 0.4 | | MHz |
| f_{SW} | Switching FET frequency (TPS923650DSGR, TPS923650DGNR) | | | 1.0 | | MHz |
| CURRENT LIMIT | | | | | | |
| I_{LIM} | Switching FET cycle-by-cycle current limit (TPS923650) | | 1.4 | 1.6 | 1.8 | A |
| I_{LIM} | Switching FET cycle-by-cycle current limit (TPS923651) | | 2.8 | 3.2 | 3.6 | A |
| THERMAL PROTECTION | | | | | | |
| T_{TSD} | Thermal shutdown temperature | | | 165 | | $^{\circ}\text{C}$ |
| | Hysteresis | | | 15 | | $^{\circ}\text{C}$ |

6.6 Typical Characteristics

$V_{IN} = 12V$, LED count = 12, $F_{SW} = 400kHz$, $L = 33\mu H$, unless otherwise specified



6.6 Typical Characteristics (continued)

$V_{IN} = 12V$, LED count = 12, $F_{SW} = 400kHz$, $L = 33\mu H$, unless otherwise specified

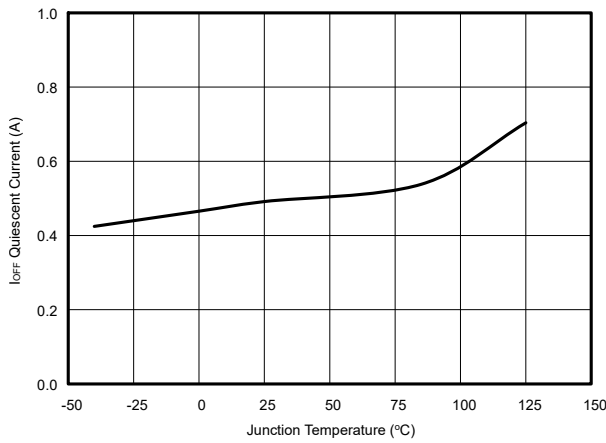


Figure 6-7. VIN Quiescent Current vs. Junction Temperature

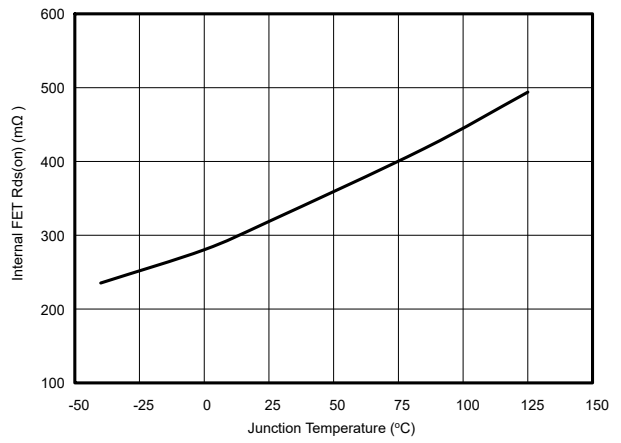


Figure 6-8. Switching FET R_{ds(on)} vs. Junction Temperature

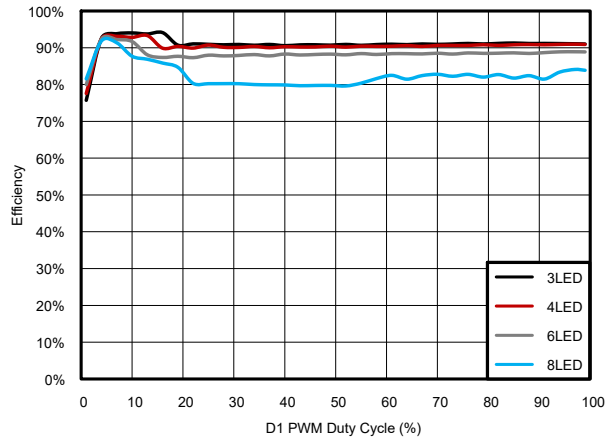


Figure 6-9. D1 Efficiency at 7V Input Voltage, 0.5A Output Current, 20kHz PWM

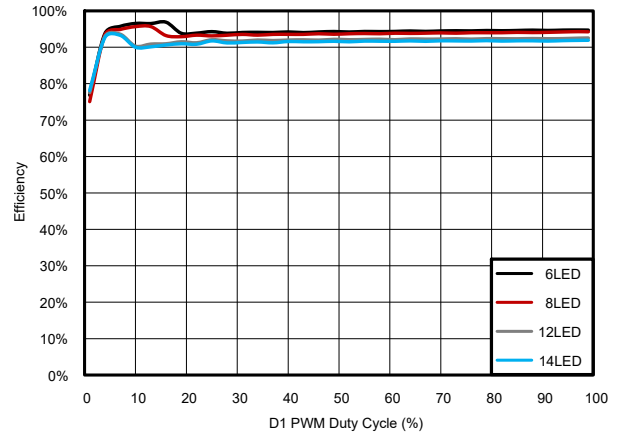


Figure 6-10. D1 Efficiency at 13V Input Voltage, 0.5A Output Current, 20kHz PWM

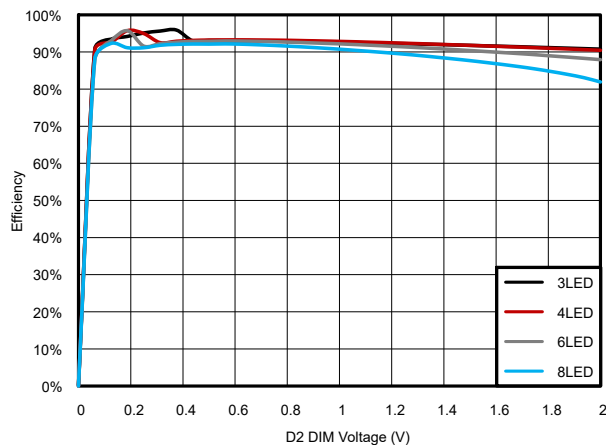


Figure 6-11. D2 Efficiency at 7V Input Voltage, 0.5A Output Current

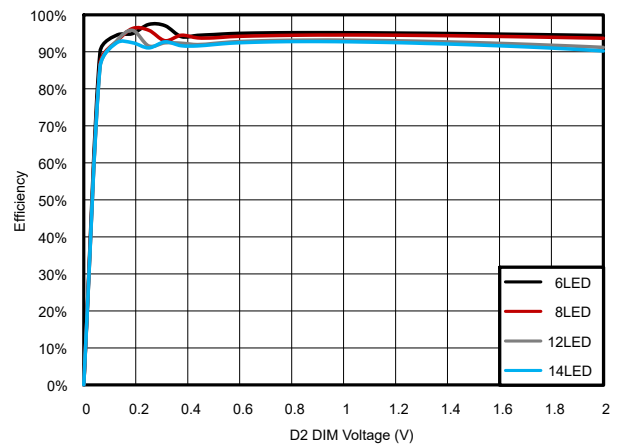


Figure 6-12. D2 Efficiency at 13V Input Voltage, 0.5A Output Current

7 Detailed Description

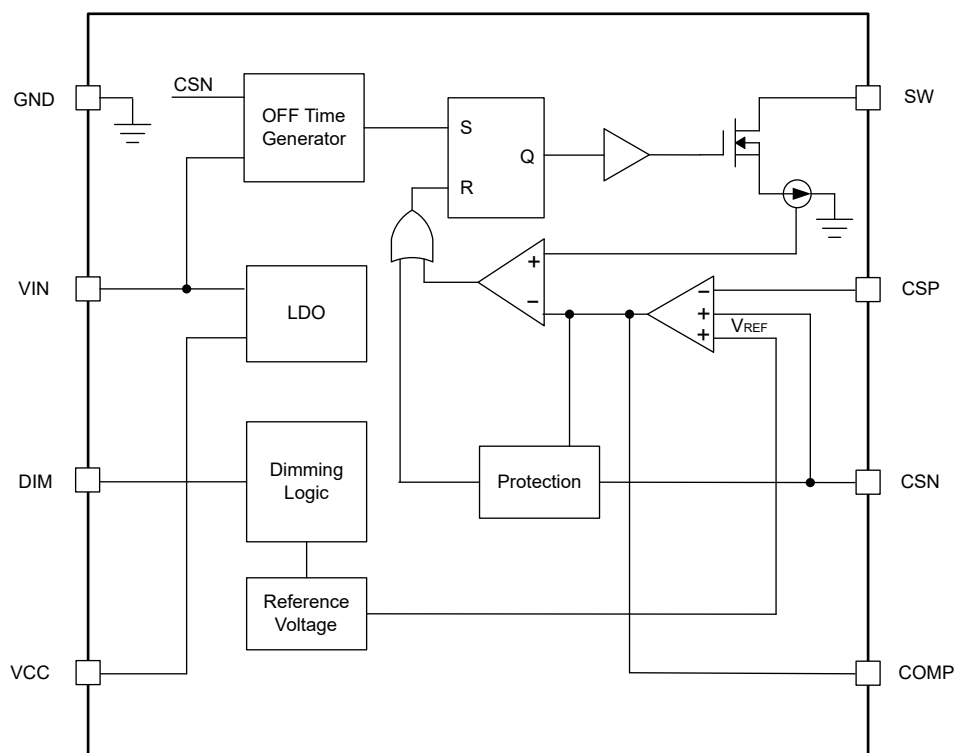
7.1 Overview

The TPS92365x family is a 1A / 2A non-synchronous Boost / Buck-Boost LED driver with 4.5V to 65V wide input range. By integrating the low-side NMOS switch with constant current control, the device is capable of driving LEDs with high power density and high efficiency. The device also supports common cathode connection and single layer PCB design, hence saving cost of connector, harness and PCB. The switching frequency is at 400kHz or 1MHz.

The TPS92365x family support PWM dimming by configuring through the DIM input pins by means of simple high and low signals. The TPS92365x family support analog dimming by configuring through the DIM input pins by means of analog signals. In PWM dimming, LED is turned on and off corresponding to on and off of the PWM input signal at DIM input pin. The PWM dimming mode supports ultra-narrow pulse width down to 50ns. In analog dimming, LED current is regulated corresponding to the analog voltage of the input signal at DIM input pin. The device adopts an adaptive off-time current mode control along with smart and accurate sampling to enable fast PWM dimming and achieve high dimming ratio. The compensation bandwidth can be adjusted through an external capacitor based on system requirement.

For safety and protection, the devices support full systematic protections including LED open and short, switching FET open and short, sense resistor open and short, and thermal shutdown protection.

7.2 Functional Block Diagram



7.3 Feature Description

7.3.1 Adaptive Off-Time Current Mode Control

The TPS923650/1 device adopts an adaptive off-time current mode control to support fast transient response over a wide range of operation. The switching frequency is set at 400kHz or 1MHz.

For average output current regulation, the sensed voltage across the sensing resistor between the CSP and CSN pins is compared with the internal voltage reference, V_{REF} , through the error amplifier. The output of the error amplifier, V_{COMP} , passes through an external compensation network and is then compared with the peak current feedback at the PWM comparator. During each switching cycle, when the internal NMOS FET is turned on, the peak current is sensed through the internal FET. When the sensed value of peak current reaches V_{COMP} at the input of PWM comparator, the NMOS FET is turned off and the adaptive off-time counter starts counting. Once the adaptive off-time counter stops counting, the counter is reset until when the NMOS FET stays off. The counting off time is determined by the external resistor connected to the FSET pin and the input/output feedforward. Thus, the device is able to maintain a nearly constant switching frequency at steady state and regulate the output average current at a desired value.

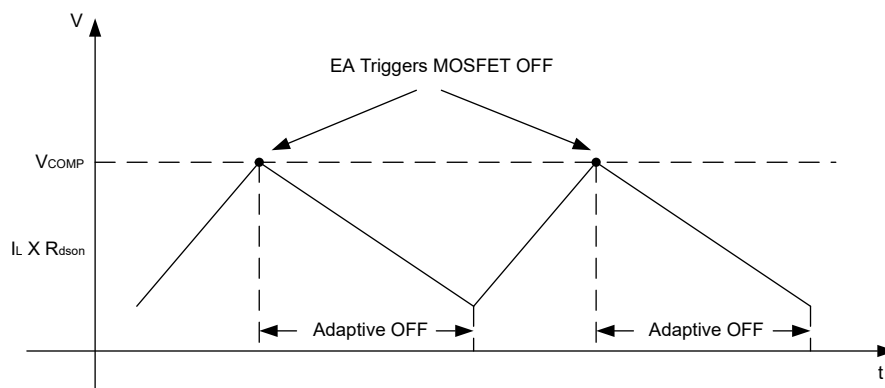


Figure 7-1. Adaptive off-time current mode control method

7.3.2 Setting LED Current

The LED current is set by the external sensing resistor between CSP and CSN pins. The internal voltage reference, V_{REF} , for instance, is set at 200mV for full-scale LED current, I_{LED_FS} , and the sensing resistor can be calculated using the equation below.

$$R_{SENSE} = \frac{V_{REF}}{I_{LED_FS}} \quad (1)$$

where

- $V_{REF} = 200\text{mV}$

An offset on V_{REF} need to be considered due to voltage drop on R_{FLT} with common-mode leakage current of CSP and CSN pins.

7.3.3 Internal Soft Start

The TPS923650/1 implements the internal soft-start function. Once V_{IN} rises above V_{VIN_MIN} , the internal LDO starts to charge V_{CC} capacitor. It takes approximately 800 μs for V_{CC} to rise above V_{VIN_UVLO} if a 1 μF capacitor is connected to V_{CC} pin. The POR is enabled right after V_{CC} above V_{VIN_UVLO} . In this case, if using 1 μF V_{CC} capacitor, it is recommended to wait for 1ms to start dimming after V_{IN} rises above V_{VIN_MIN} .

If DIM pin starts to rise or has the first PWM pulse appearing after V_{CC} rises above V_{VIN_UVLO} , the device starts switching right away. For D1 version, the initial PWM pulse can be as small as 50ns at DIM input pin to start dimming.

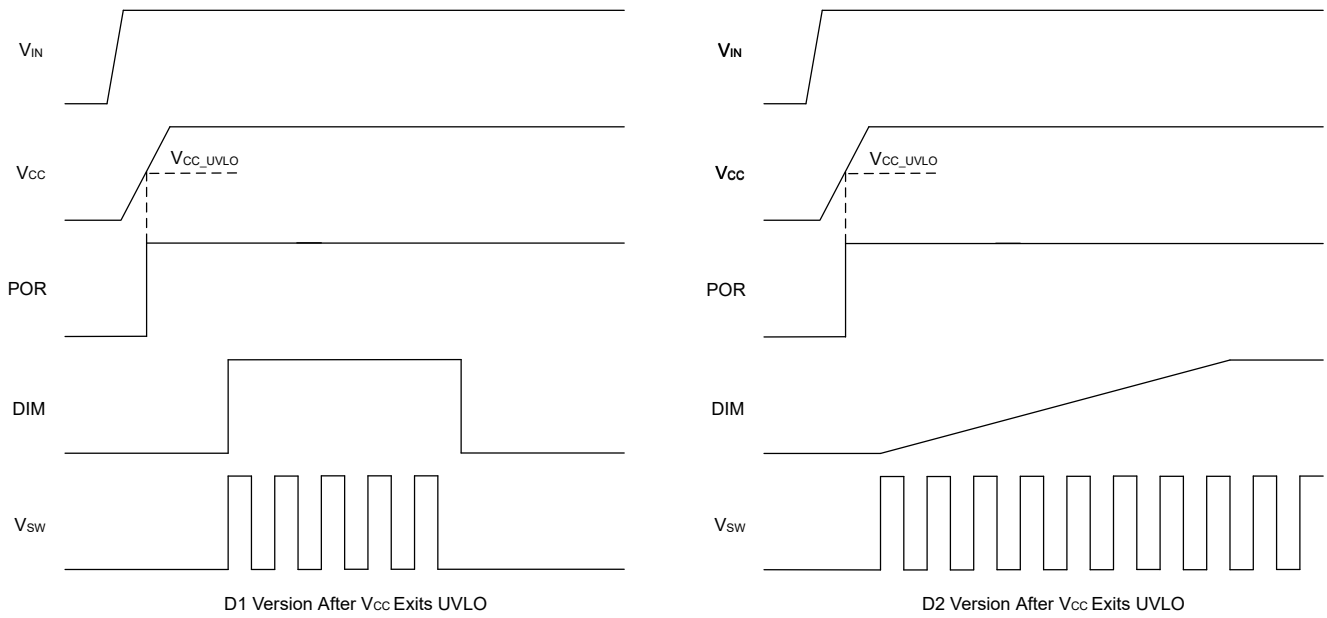


Figure 7-2. Startup Sequence

7.3.4 Dimming Mode

The TPS923650D1 and TPS923651D1 devices enable PWM dimming mode. The TPS923650D2 and TPS923651D2 devices enable analog dimming mode.

The configuration to dimming modes are shown as below

Table 7-1. Dimming Mode Configuration

| Dimming Mode | Version | DIM Pin |
|----------------|---------|---------------|
| PWM Dimming | D1 | PWM signal |
| Analog Dimming | D2 | Analog signal |

7.3.4.1 PWM Dimming

The TPS923650D1 and TPS923651D1 support PWM input signals with ultra-narrow pulse width down to 50-ns for direct PWM dimming. The PWM dimming starts when the DIM input pin is configured by a PWM input signal.

When the PWM input signal at the DIM pin turns from low to high, the internal NMOS FET starts switching and the inductor current rises to the determined value set by sense resistor. The LED current is then regulated at the determined value as long as the PWM input signal stays high. When the PWM input signal turns from high to low, the internal FET is turned off causing the inductor current falling to zero. The internal FET maintains off and the LED current stays zero as long as the PWM input signal stays low.

7.3.4.2 Analog Dimming

The TPS923650D2 and TPS923651D2 support analog dimming which regulates the LED current through the analog input signal at the DIM pin.

The internal voltage reference, V_{REF} , starts to rise after the device exit UVLO. Once an analog voltage appears at the DIM pin, V_{REF} continues to increase until changing to the desired value in proportion to the analog voltage.

V_{REF} is 200mV when the analog input signal at the DIM pin is 2V, for instance, and V_{REF} is 20mV when the analog input signal is 0.2V. V_{REF} is clamped at 220mV when the analog input signal at the DIM pin is higher than 2.2V. V_{REF} is 0V and the device stops switching when the analog input signal is lower than 10mV. The circuit is able to respond to the voltage change of the analog input signal with micro-seconds delay.

7.3.5 Fault Protection

The TPS923650/1 is able to provide fault protections in many fault conditions, including LED open, LED \pm short, LED short to GND, sense resistor open and short, internal switching FET open and short, and thermal shutdown.

Table 7-2. Protections

| TYPE | CRITERION | BEHAVIOR |
|--|-----------------------------|--|
| LED open load | $V_{CSN} > 65V$ | The device stops switching and recovers when fault is removed. |
| LED+ and LED- short circuit (Buck-Boost) | $V_{CSN} - V_{IN} < 100mV$ | The device keeps switching. |
| LED+ short to GND | $V_{CSP} - V_{CSN} > 300mV$ | The device stops switching and recovers when fault is removed. |
| Sense-resistor open circuit | $V_{CSP} - V_{CSN} > 300mV$ | The device stops switching and recovers when fault is removed. |
| Sense-resistor short circuit | COMP pin is clamped high | The device keeps switching under the cycle-by-cycle current limit. |
| Switching FET open circuit | COMP pin is clamped high | The device stops switching and recovers when fault is removed. |
| Switching FET short circuit | COMP pin is clamped high | The device stops switching and recovers when fault is removed. |
| Thermal shutdown | $T_J > T_{TSD}$ | The device stops switching and recovers when T_J falls below the hysteresis level. |

8 Application and Implementation

8.1 Application Information

The TPS923650/1 is typically used as a Boost / Buck-Boost converter to drive one or more LEDs from an input from 4.5V to 63V range.

8.2 Typical Application

8.2.1 TPS923651D2 12V Input, 1A Output, 8-piece WLED Driver With Analog Dimming

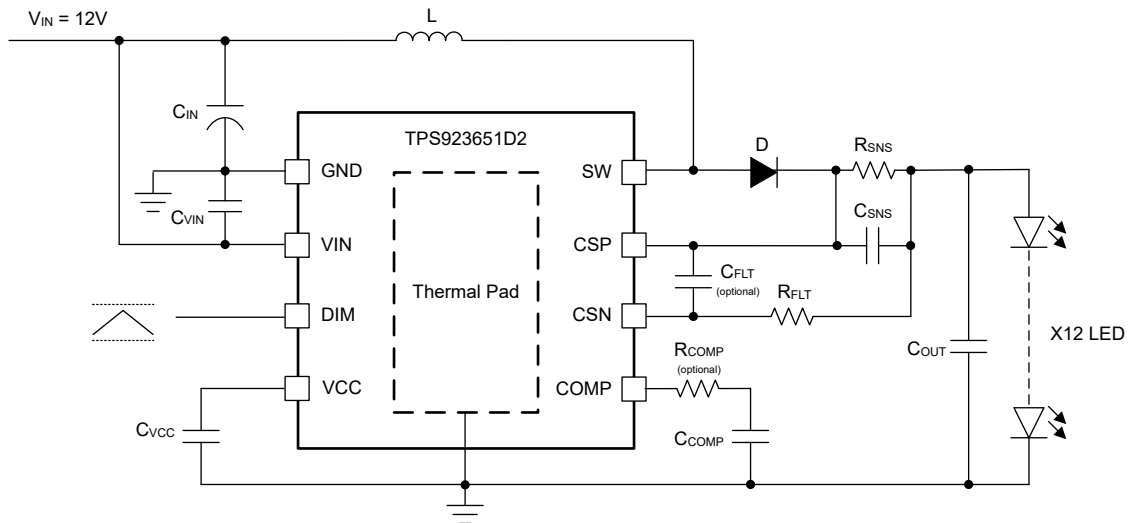


Figure 8-1. 12V Input, 1A Output, 8-piece WLED, Analog Dimming Reference Design

8.2.1.1 Design Requirements

For this design example, use the parameters in the following table.

Table 8-1. Design Parameters

| PARAMETER | VALUE |
|-------------------------|---|
| Input voltage range | 12V ±10% |
| LED forward voltage | 3.0V |
| Output voltage | 24V (3.0V × 8) |
| Maximum LED current | 1A |
| Inductor current ripple | 30% of maximum LED current |
| LED current ripple | 20mA or less |
| Input voltage ripple | 400mV or less |
| Dimming type | Analog dimming with TPS923651D2: 0V to 2V analog input at the DIM pin |

8.2.1.2 Detailed Design Procedure

8.2.1.2.1 Inductor Selection

For this design, the input voltage is a 12V rail with 10% variation. The output is 8 white LEDs in series and the inductor current ripple by requirement is less than 30% of maximum inductor current. To choose a proper peak-to-peak inductor current ripple, the low-side FET current limit should not be violated when the converter works in full-load condition. This requires half of the peak-to-peak inductor current ripple to be lower than that limit. Another consideration is to ensure reasonable inductor core loss and copper loss caused by the peak-to-peak current ripple. Once this peak-to-peak inductor current ripple is chosen, use the equation below to calculate the recommended value of the output inductor L.

$$L = \frac{V_{IN(max)} \times (V_{OUT} - V_{IN(max)})}{V_{OUT} \times K_{IND} \times I_{L(max)} \times f_{SW}} \quad (2)$$

where

- K_{IND} is a coefficient that represents the amount of inductor ripple current relative to the maximum LED current.
- $I_{L(max)}$ is the maximum inductor current.
- f_{SW} is the switching frequency.
- $V_{IN(max)}$ is the maximum input voltage.
- V_{OUT} is the sum of the voltage across LED load and the voltage across sense resistor.

With the chosen inductor value, the user can calculate the actual inductor current ripple using the equation below.

$$I_{L(ripple)} = \frac{V_{IN(max)} \times (V_{OUT} - V_{IN(max)})}{V_{OUT} \times L \times f_{SW}} \quad (3)$$

The ratings of inductor RMS current and saturation current must be greater than those seen in the system requirement. This is to ensure no inductor overheat or saturation occurring. During power up, transient conditions or fault conditions, the inductor current may exceed its normal operating current and reach the current limit. Therefore, it is preferred to select a saturation current rating equal to or greater than the converter current limit. The peak-inductor-current and RMS current equations are shown in the equations below .

$$I_{L(peak)} = I_{L(max)} + \frac{I_{L(ripple)}}{2} \quad (4)$$

$$I_{L(rms)} = \sqrt{I_{L(max)}^2 + \frac{I_{L(ripple)}^2}{12}} \quad (5)$$

In this design, $V_{IN(max)} = 12V$, $V_{OUT} = 24V$, $I_{LED} = 1A$, $f_{SW} = 400kHz$, choose $K_{IND} = 0.3$, the calculated inductance is $25\mu H$. A $33\mu H$ inductor is chosen. With this inductor, the ripple, peak, and rms currents of the inductor are 0.45A, 2.2A, and 2.01A, respectively.

8.2.1.2.2 Input Capacitor Selection

An input capacitor is required to reduce the surge current drawn from the input supply and the switching noise coming from the device. Electrolytic capacitors are recommended for energy storage. Ceramic capacitors with X5R or X7R dielectrics are highly recommended because of their low ESR and small temperature coefficients. For most applications, it is recommended to place a $1\mu F$ ceramic capacitor along with a $0.1\mu F$ capacitor from VIN to GND to provide high-frequency filtering. The input capacitor voltage rating must be greater than the maximum input voltage. Use the equation below to calculate the input ripple voltage, where ESR_{CIN} is the ESR of input capacitor, and K_{DR} is the derating coefficient of ceramic capacitance at the applied DC voltage.

$$V_{IN(ripple)} = \frac{I_{L(ripple)}}{8 \times C_{IN} \times f_{SW}} \quad (6)$$

In this design, a 33μF, 25V electrolytic capacitor, a 1μF, 25V X7R ceramic capacitor and a 0.1μF, 25V X7R ceramic capacitor are chosen, yielding around 140mV input ripple voltage.

8.2.1.2.3 Output Capacitor Selection

The output capacitor reduces the high-frequency current ripple through the LED string. Excessive current ripple increases the RMS current in the LED string, therefore increasing the LED temperature.

1. Calculate the total dynamic resistance of the LED string (R_{LED}) using the LED manufacturer's datasheet.
2. Calculate the required impedance of the output capacitor (Z_{COUT}) given the acceptable peak-to-peak ripple current through the LED string, $I_{LED(ripple)}$. $I_{L(ripple)}$ is the peak-to-peak inductor ripple current as calculated with the selected inductor.
3. Calculate the minimum effective output capacitance required.
4. Increase the output capacitance appropriately due to the derating effect of applied DC voltage.

See the equation below.

$$R_{LED} = \frac{\Delta V_F}{\Delta I_F} \times \# \text{ of LEDs} \quad (7)$$

$$Z_{COUT} = \frac{R_{LED} \times I_{LED(ripple)}}{I_{L(max)} - I_{LED(ripple)}} \quad (8)$$

$$C_{COUT} = \frac{1}{2\pi \times f_{SW} \times Z_{COUT}} \quad (9)$$

Once the output capacitor is chosen, the equation below can be used to estimate the peak-to-peak ripple current through the LED string.

$$I_{LED(ripple)} = \frac{Z_{COUT} \times I_{L(max)}}{Z_{COUT} + R_{LED}} \quad (10)$$

Osram WLED is used here. The dynamic resistance of the LED is 0.67Ω at 2A forward current. Ceramic capacitors with X5R or X7R dielectrics are highly recommended because of their low ESR and small temperature coefficients. In this design, a 10μF, 100V X7R ceramic capacitor and a 0.1μF, 100V X7R ceramic capacitor are chosen. The calculated ripple current of the LED is about 15mA.

8.2.1.2.4 Sense Resistor Selection

The maximum LED current is 1A at 2V analog input and the corresponding V_{REF} is 200mV. By using , the sense resistance is calculated as 200mΩ.

Note that the power consumption of the sense resistor is 200mW, requiring enough margin of the resistor's power rating in selection.

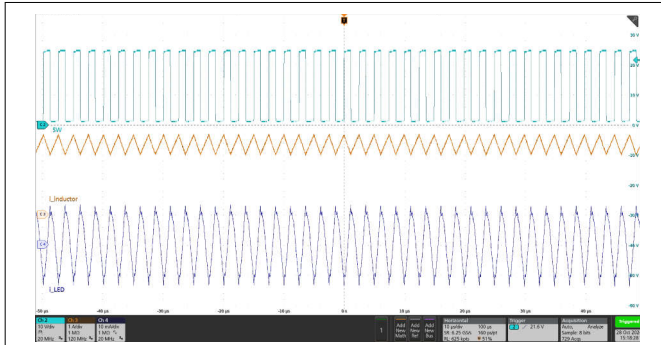
8.2.1.2.5 Other External Components Selection

In this design, a 100Ω resistor is recommended for R_{FLT} at CSN pin to avoid noise injection and increase robustness. An optional 1nF, 50V X7R ceramic capacitor is chosen for C_{FLT} across CSP-CSN pins to filter high-frequency noise of sense feedback. Using the equation below, a 10μF, 50V X7R ceramic capacitor is chosen for C_{SNS} across R_{SNS} to suppress the ac magnitude of sense feedback less than 200mV.

$$C_{SENSE} = \frac{0.25 \times I_{L(max)}}{200mV \times f_{SW}} \quad (11)$$

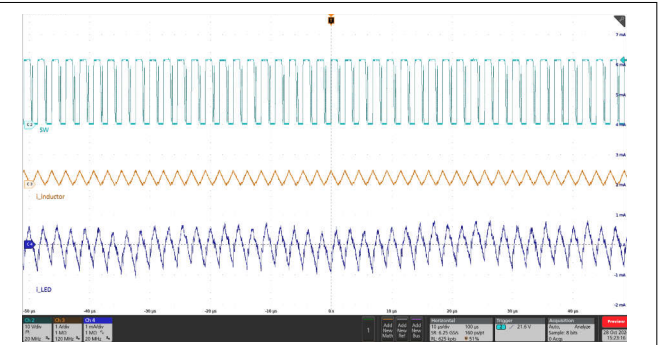
For loop stability, it is recommended to select a 10nF, 10V X7R ceramic capacitor for C_{COMP} and an optional 100Ω resistor for R_{COMP} .

8.2.1.3 Application Curves



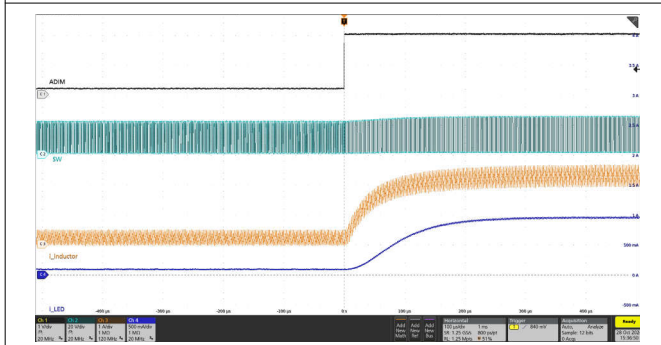
Light Blue: SW, Orange: Inductor Current, Deep Blue: LED Current Ripple (AC)

Figure 8-2. LED Current Ripple at DIM_{Analog} = 2V and F_{SW} = 400kHz



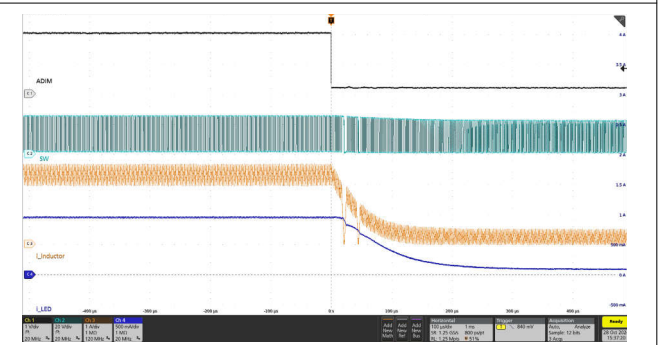
Light Blue: SW, Orange: Inductor Current, Deep Blue: LED Current Ripple (AC)

Figure 8-3. LED Current Ripple at DIM_{Analog} = 0.2V and F_{SW} = 400kHz



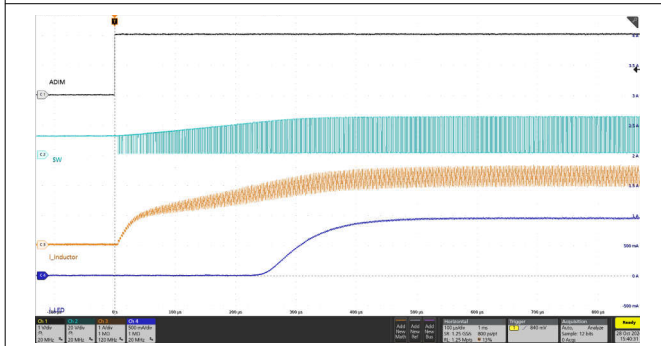
Black: DIM_{Analog}, Light Blue: SW, Orange: Inductor Current, Deep Blue: LED Current

Figure 8-4. LED Current Transient for a DIM_{Analog} Transition from 0.2V to 2V



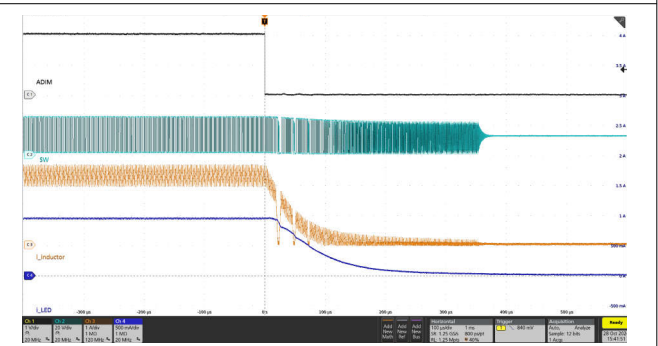
Black: DIM_{Analog}, Light Blue: SW, Orange: Inductor Current, Deep Blue: LED Current

Figure 8-5. LED Current Transient for a DIM_{Analog} Transition from 2V to 0.2V



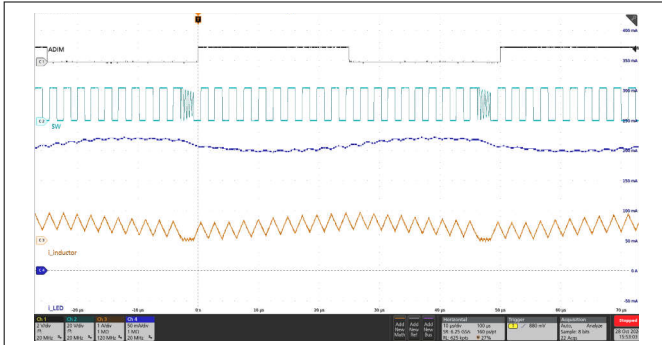
Black: DIM_{Analog}, Light Blue: SW, Orange: Inductor Current, Deep Blue: LED Current

Figure 8-6. Start-Up at DIM_{Analog} = 2V



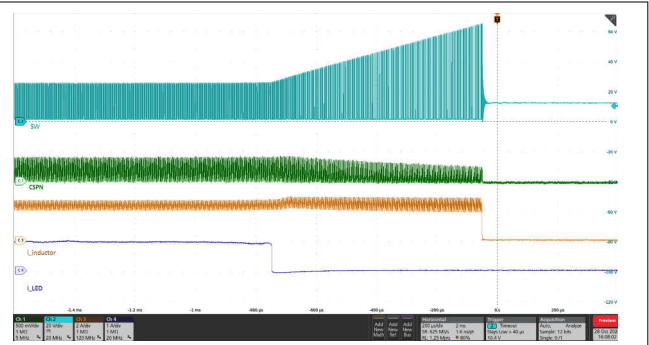
Black: DIM_{Analog}, Light Blue: SW, Orange: Inductor Current, Deep Blue: LED Current

Figure 8-7. Shutdown at DIM_{Analog} = 2V



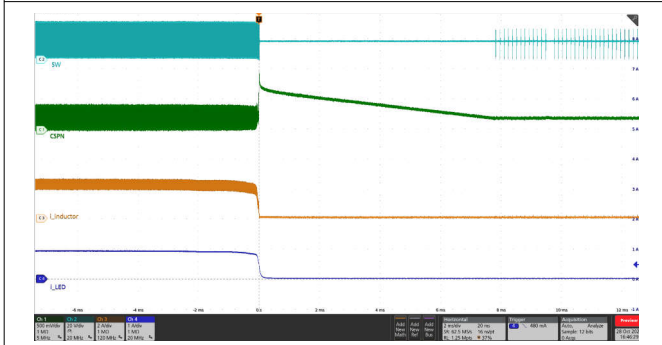
Black: DIM_{Analog}, Light Blue: SW, Orange: Inductor Current, Deep Blue: LED Current

Figure 8-8. LED Dimming Rising and Falling Edges at DIM_{Analog} = 2V, 20kHz



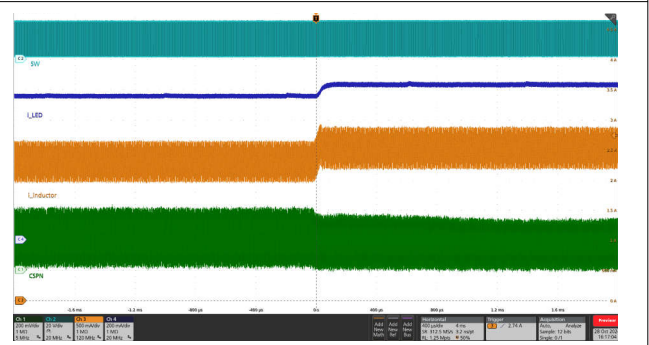
Light Blue: SW, Green: CSN, Orange: Inductor Current, Deep Blue: LED Current

Figure 8-9. LED Open-Load Protection



Light Blue: SW, Green: CSN, Orange: Inductor Current, Deep Blue: LED Current

Figure 8-10. Sense-Resistor Open Protection



Light Blue: SW, Orange: Inductor Current, Deep Blue: LED Current, Green: CSN

Figure 8-11. Sense-Resistor Short-Circuit Protection

8.2.2 TPS923650D1 Buck-Boost, 24V Input, 0.5A Output, 4-piece WLED Driver with PWM Dimming

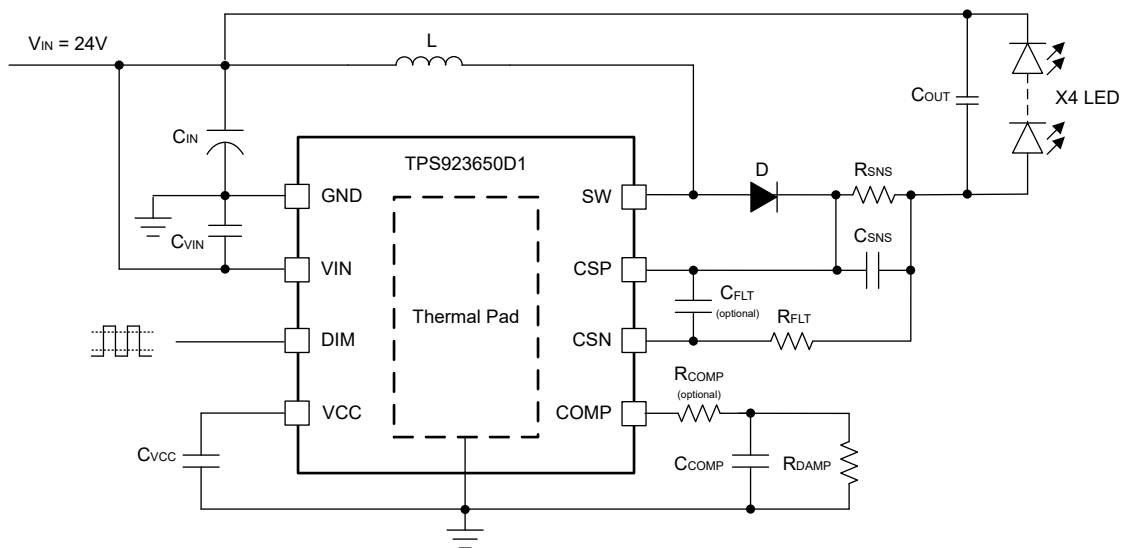


Figure 8-12. Buck-Boost, 24V Input, 0.5A Output, 4-piece WLED, PWM Dimming Reference Design

8.2.2.1 Design Requirements

For this design example, use the parameters in the following table.

Table 8-2. Design Parameters

| PARAMETER | VALUE |
|-------------------------|---|
| Input voltage range | 24V \pm 10% |
| LED forward voltage | 3.0V |
| Output voltage | 12V (3.0V \times 4) |
| Maximum LED current | 0.5A |
| Inductor current ripple | 30% of maximum LED current |
| LED current ripple | 20mA or less |
| Input voltage ripple | 400mV or less |
| Dimming type | PWM dimming with TPS923650D1: 0% to 100%, 1kHz PWM input at the DIM pin |

8.2.2.2 Detailed Design Procedure

8.2.2.2.1 Inductor Selection

For this design, the input voltage is a 24V rail with 10% variation. The output is 4 white LEDs in series and the inductor current ripple by requirement is less than 30% of maximum inductor current. To choose a proper peak-to-peak inductor current ripple, the low-side FET current limit should not be violated when the converter works in no-load condition. This requires half of the peak-to-peak inductor current ripple to be lower than that limit. Another consideration is to ensure reasonable inductor core loss and copper loss caused by the peak-to-peak current ripple. Once this peak-to-peak inductor current ripple is chosen, use the equation below to calculate the recommended value of the output inductor L.

$$L = \frac{V_{IN(max)} \times V_{OUT}}{(V_{OUT} + V_{IN(max)}) \times K_{IND} \times I_{L(max)} \times f_{SW}} \quad (12)$$

where

- K_{IND} is a coefficient that represents the amount of inductor ripple current relative to the maximum LED current.
- $I_{L(max)}$ is the maximum inductor current.
- f_{SW} is the switching frequency.
- $V_{IN(max)}$ is the maximum input voltage.
- V_{OUT} is the sum of the voltage across LED load and the voltage across sense resistor.

With the chosen inductor value, the user can calculate the actual inductor current ripple using the equation below.

$$I_{L(ripple)} = \frac{V_{IN(max)} \times V_{OUT}}{(V_{OUT} + V_{IN(max)}) \times L \times f_{SW}} \quad (13)$$

The ratings of inductor RMS current and saturation current must be greater than those seen in the system requirement. This is to ensure no inductor overheat or saturation occurring. During power up, transient conditions or fault conditions, the inductor current may exceed its normal operating current and reach the current limit. Therefore, it is preferred to select a saturation current rating equal to or greater than the converter current limit. The peak-inductor-current and RMS current equations are shown in the equations below.

$$I_{L(peak)} = I_{L(max)} + \frac{I_{L(ripple)}}{2} \quad (14)$$

$$I_{L(rms)} = \sqrt{I_{L(max)}^2 + \frac{I_{L(ripple)}^2}{12}} \quad (15)$$

In this design, $V_{IN(max)} = 24V$, $V_{OUT} = 12V$, $I_{LED} = 0.5A$, $f_{SW} = 1MHz$, choose $K_{IND} = 0.3$, the calculated inductance is $35\mu H$. A $33\mu H$ inductor is chosen. With this inductor, the ripple, peak, and rms currents of the inductor are 0.24A, 0.87A, and 0.76A, respectively.

8.2.2.2.2 Input Capacitor Selection

An input capacitor is required to reduce the surge current drawn from the input supply and the switching noise coming from the device. Electrolytic capacitors are recommended for energy storage. Ceramic capacitors with X5R or X7R dielectrics are highly recommended because of their low ESR and small temperature coefficients. For most applications, it is recommended to place a $10\mu F$ capacitor along with a $0.1\mu F$ capacitor from VIN to GND to provide high-frequency filtering. The input capacitor voltage rating must be greater than the maximum input voltage. Use the equation below to calculate the input ripple voltage, where ESR_{CIN} is the ESR of input capacitor, and K_{DR} is the derating coefficient of ceramic capacitance at the applied DC voltage.

$$V_{IN(ripple)} = \frac{I_{L(max)}}{2\pi \times f_{PWM} \times C_{OUT}} \quad (16)$$

In this design, a 10µF, 50V electrolytic capacitor, a 22µF, 50V X7R ceramic capacitor and a 0.1µF, 50V X7R ceramic capacitor are chosen, yielding around 270mV input ripple voltage.

8.2.2.2.3 Output Capacitor Selection

The output capacitor reduces the high-frequency current ripple through the LED string. Excessive current ripple increases the RMS current in the LED string, therefore increasing the LED temperature.

1. Calculate the total dynamic resistance of the LED string (R_{LED}) using the LED manufacturer's datasheet.
2. Calculate the required impedance of the output capacitor (Z_{COUT}) given the acceptable peak-to-peak ripple current through the LED string, $I_{LED(ripple)}$. $I_{L(ripple)}$ is the peak-to-peak inductor ripple current as calculated with the selected inductor.
3. Calculate the minimum effective output capacitance required.
4. Increase the output capacitance appropriately due to the derating effect of applied DC voltage.

See the equations below.

$$R_{LED} = \frac{\Delta V_F}{\Delta I_F} \times \# \text{ of LEDs} \quad (17)$$

$$Z_{COUT} = \frac{R_{LED} \times I_{LED(ripple)}}{I_{L(max)} - I_{LED(ripple)}} \quad (18)$$

$$C_{COUT} = \frac{1}{2\pi \times f_{SW} \times Z_{COUT}} \quad (19)$$

Once the output capacitor is chosen, the equation below can be used to estimate the peak-to-peak ripple current through the LED string.

$$I_{LED(ripple)} = \frac{Z_{COUT} \times I_{L(max)}}{Z_{COUT} + R_{LED}} \quad (20)$$

Osram WLED is used here. The dynamic resistance of the LED is 0.67Ω at 1A forward current. Ceramic capacitors with X5R or X7R dielectrics are highly recommended because of their low ESR and small temperature coefficients. In this design, a 4.7µF, 100V X7R ceramic capacitor and a 0.1µF, 100V X7R ceramic capacitor are chosen. The calculated ripple current of the LED is about 10mA.

8.2.2.2.4 Sense Resistor Selection

The maximum LED current is 0.5A at 100% PWM duty and the corresponding V_{REF} is 200mV. By using the equation below, the sense resistance is calculated as 400mΩ.

Note that the power consumption of the sense resistor is 100mW, requiring enough margin of the resistor's power rating in selection.

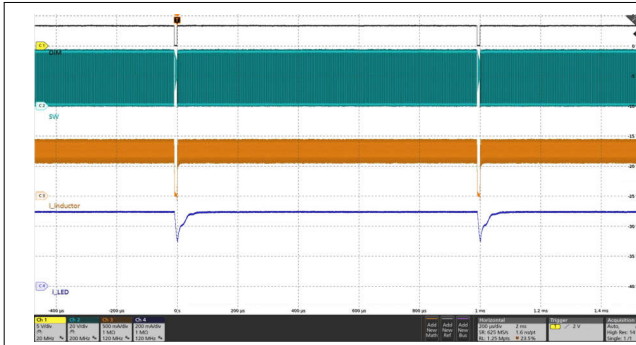
8.2.2.2.5 Other External Components Selection

In this design, a 100Ω resistor is recommended for R_{FLT} at CSN pin to avoid noise injection and increase robustness. An optional 1nF, 50V X7R ceramic capacitor is chosen for C_{FLT} across CSP-CSN pins to filter high-frequency noise of sense feedback. Using the equation below, a 2.2µF, 50V X7R ceramic capacitor is chosen for C_{SNS} to suppress the ac magnitude of sense feedback less than 200mV.

$$C_{SNS} = \frac{0.25 \times I_{L(max)}}{200mV \times f_{SW}} \quad (21)$$

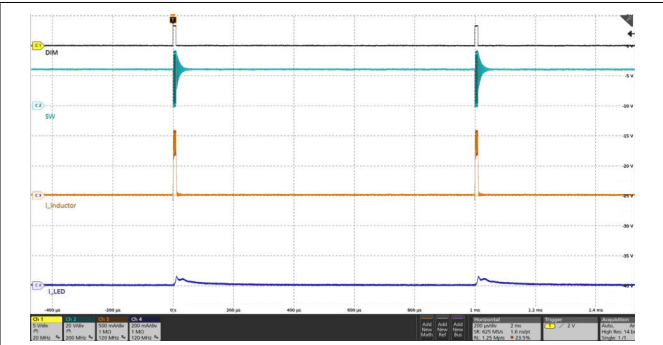
For loop stability, it is recommended to select a 10nF, 10V X7R ceramic capacitor for C_{COMP} and an optional 100Ω resistor for R_{COMP} . A 20MΩ resistor is chosen for R_{DAMP} to suppress the overshoot current at rising edge of PWM on.

8.2.2.3 Application Curves



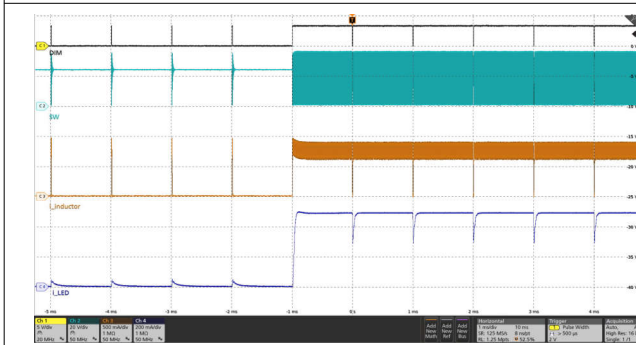
Black: DIM_{PWM}, Light Blue: SW, Orange: Inductor Current, Deep Blue: LED Current

Figure 8-13. LED Current Ripple at DIM_{PWM} = 99%, 1kHz and F_{SW} = 1MHz



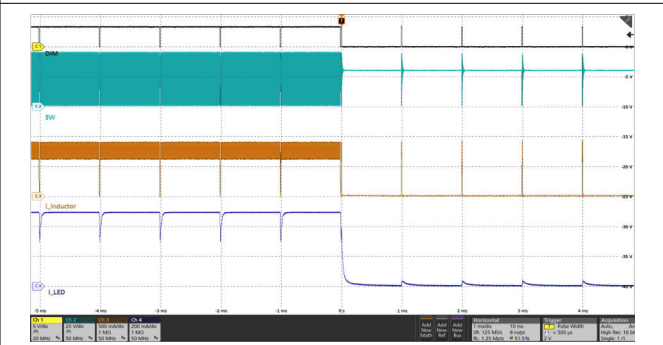
Black: DIM_{PWM}, Light Blue: SW, Orange: Inductor Current, Deep Blue: LED Current

Figure 8-14. LED PWM Dimming at DIM_{PWM} = 1%, 1kHz



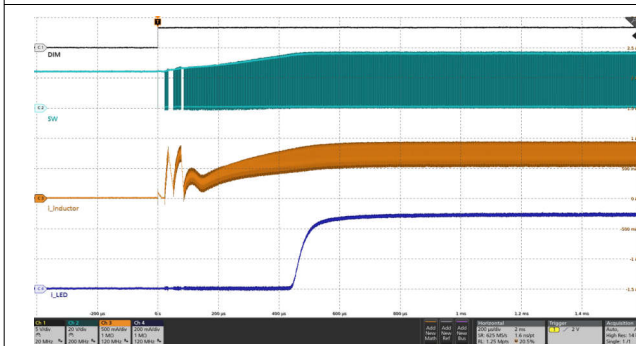
Black: DIM_{PWM}, Light Blue: SW, Orange: Inductor Current, Deep Blue: LED Current

Figure 8-15. LED Current Transient for a DIM_{PWM} Transition from 1% to 99%, 1kHz



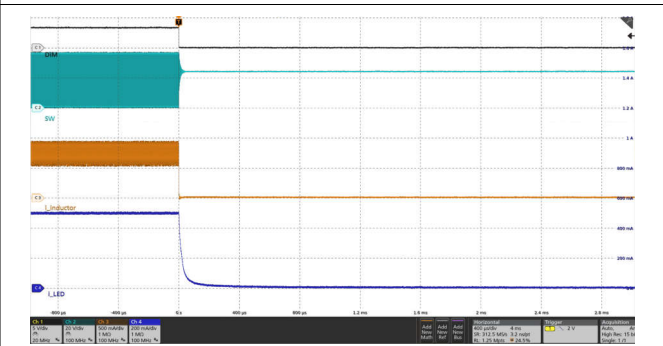
Black: DIM_{PWM}, Light Blue: SW, Orange: Inductor Current, Deep Blue: LED Current

Figure 8-16. LED Current Transient for a DIM_{PWM} Transition from 99% to 1%, 1kHz



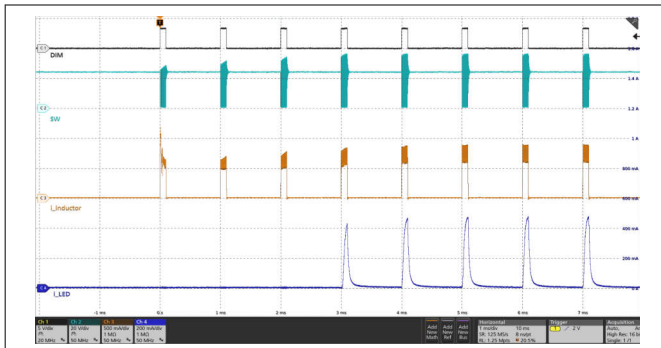
Black: DIM_{PWM}, Light Blue: SW, Orange: Inductor Current, Deep Blue: LED Current

Figure 8-17. Start-Up at DIM_{PWM} = 100%, 1kHz



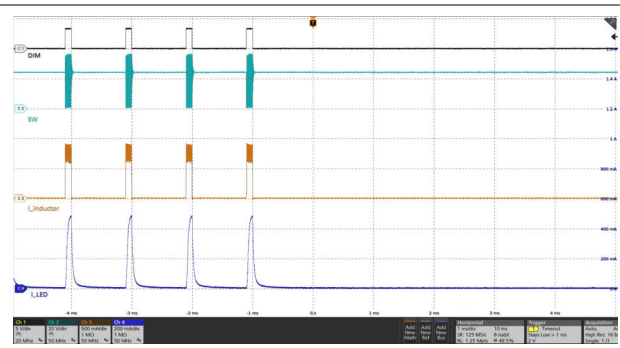
Black: DIM_{PWM}, Light Blue: SW, Orange: Inductor Current, Deep Blue: LED Current

Figure 8-18. Shutdown at DIM_{PWM} = 100%, 1kHz



Black: DIM_{PWM}, Light Blue: SW, Orange: Inductor Current,
 Deep Blue: LED Current

Figure 8-19. Start-Up at DIM_{PWM} = 10%, 1kHz



Black: DIM_{PWM}, Light Blue: SW, Orange: Inductor Current,
 Deep Blue: LED Current

Figure 8-20. Shutdown at DIM_{PWM} = 10%, 1kHz

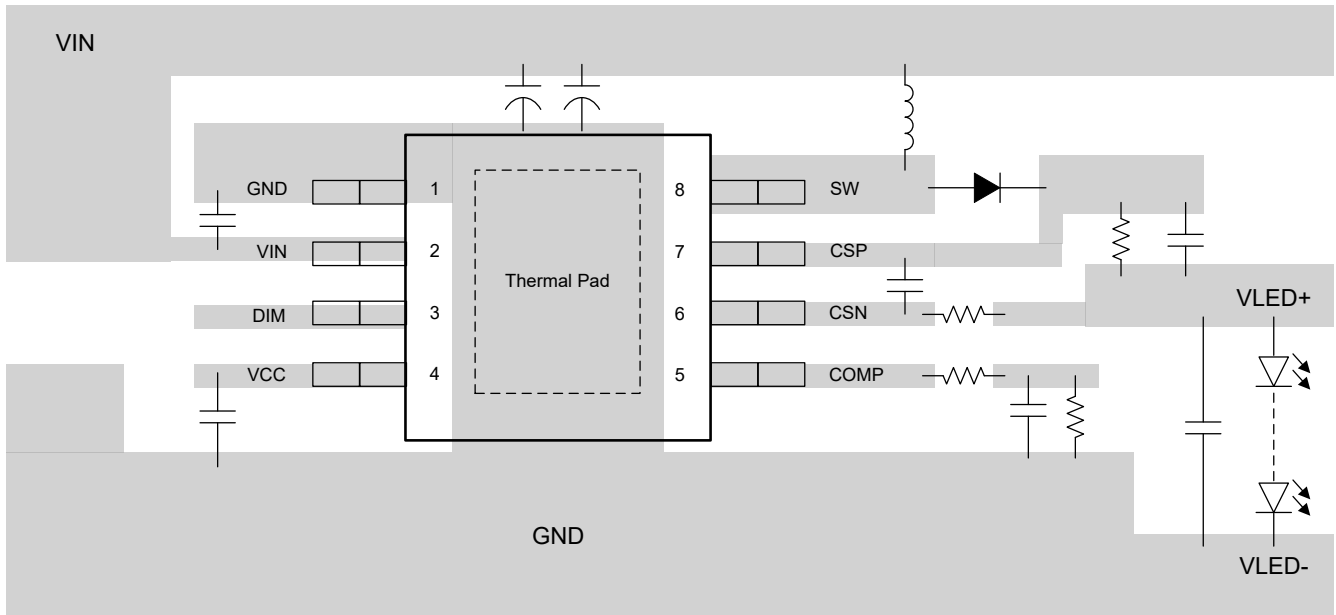


Figure 8-22. 8-Pin HVSSOP Top View Layout Example

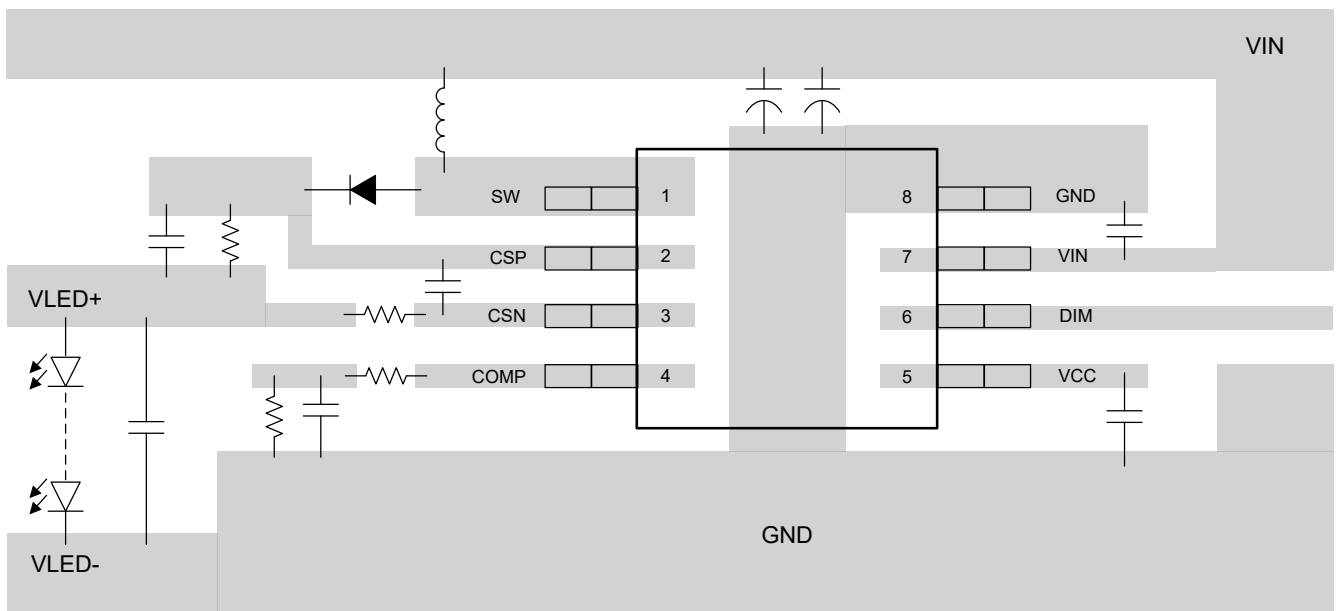


Figure 8-23. 8-Pin SOT583 Top View Layout Example

9 Device and Documentation Support

9.1 Receiving Notification of Documentation Updates

To receive notification of documentation updates, navigate to the device product folder on [ti.com](https://www.ti.com). Click on *Notifications* to register and receive a weekly digest of any product information that has changed. For change details, review the revision history included in any revised document.

9.2 Support Resources

[TI E2E™ support forums](#) are an engineer's go-to source for fast, verified answers and design help — straight from the experts. Search existing answers or ask your own question to get the quick design help you need.

Linked content is provided "AS IS" by the respective contributors. They do not constitute TI specifications and do not necessarily reflect TI's views; see TI's [Terms of Use](#).

9.3 Trademarks

TI E2E™ is a trademark of Texas Instruments.
All trademarks are the property of their respective owners.

9.4 Electrostatic Discharge Caution



This integrated circuit can be damaged by ESD. Texas Instruments recommends that all integrated circuits be handled with appropriate precautions. Failure to observe proper handling and installation procedures can cause damage.

ESD damage can range from subtle performance degradation to complete device failure. Precision integrated circuits may be more susceptible to damage because very small parametric changes could cause the device not to meet its published specifications.

9.5 Glossary

[TI Glossary](#) This glossary lists and explains terms, acronyms, and definitions.

10 Revision History

| DATE | REVISION | NOTES |
|---------------|----------|------------------|
| November 2024 | * | Initial release. |

11 Mechanical, Packaging, and Orderable Information

The following pages include mechanical, packaging, and orderable information. This information is the most-current data available for the designated devices. This data is subject to change without notice and without revision of this document. For browser-based versions of this data sheet, see the left-hand navigation pane.

11.1 Package Option Addendum

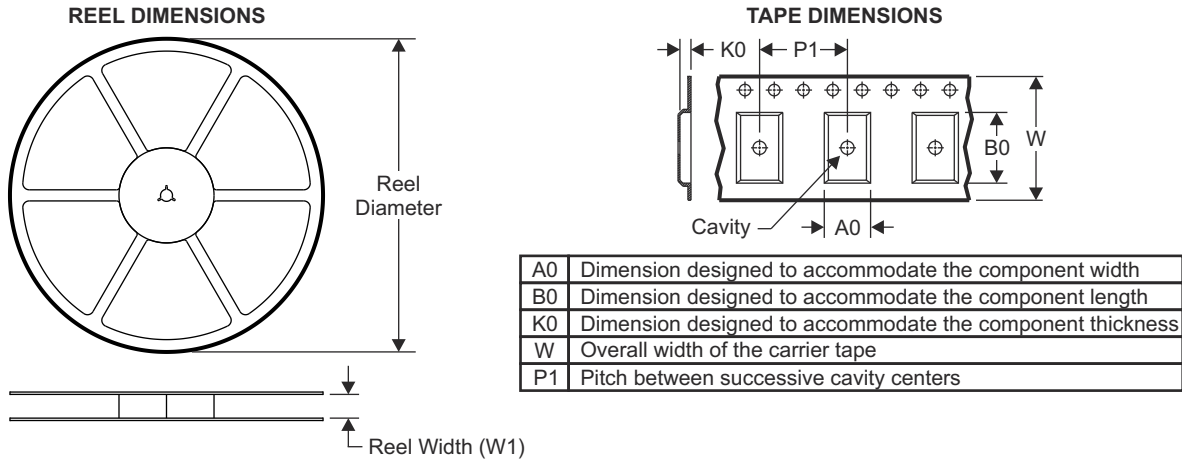
Packaging Information

| Orderable Device | Status ⁽¹⁾ | Package Type | Package Drawing | Pins | Package Qty | Eco Plan ⁽²⁾ | Lead/Ball Finish ⁽⁴⁾ | MSL Peak Temp ⁽³⁾ | Op Temp (°C) | Device Marking ⁽⁵⁾ ⁽⁶⁾ |
|------------------|-----------------------|--------------|-----------------|------|-------------|---------------------------|---------------------------------|------------------------------|--------------|---|
| TPS923651D1DSGR | ACTIVE | WS0N | DSG | 8 | 3000 | Green (RoHS and no Sb/Br) | Cu NiPdAu | LEVEL1-260C-UNLIM | -40 to 85 | 2311 |
| TPS923651D2DSGR | ACTIVE | WS0N | DSG | 8 | 3000 | Green (RoHS and no Sb/Br) | Cu NiPdAu | LEVEL1-260C-UNLIM | -40 to 85 | 2312 |
| TPS923651D1DGNR | ACTIVE | HVSSOP | DGN | 8 | 2500 | Green (RoHS and no Sb/Br) | Cu NiPdAu | LEVEL1-260C-UNLIM | -40 to 85 | 2311 |
| TPS923651D2DGNR | ACTIVE | HVSSOP | DGN | 8 | 2500 | Green (RoHS and no Sb/Br) | Cu NiPdAu | LEVEL1-260C-UNLIM | -40 to 85 | 2312 |

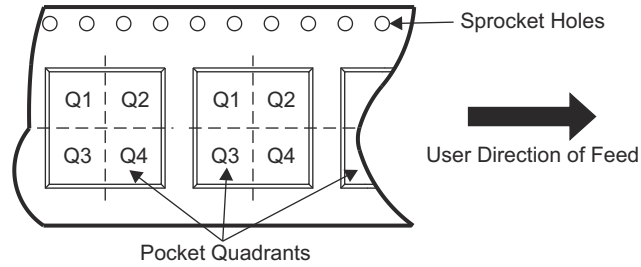
| Orderable Device | Status ⁽¹⁾ | Package Type | Package Drawing | Pins | Package Qty | Eco Plan ⁽²⁾ | Lead/Ball Finish ⁽⁴⁾ | MSL Peak Temp ⁽³⁾ | Op Temp (°C) | Device Marking ⁽⁵⁾ ₍₆₎ |
|------------------|-----------------------|--------------|-----------------|------|-------------|---------------------------|---------------------------------|------------------------------|--------------|---|
| TPS923650D1DSGR | ACTIVE | WSON | DSG | 8 | 3000 | Green (RoHS and no Sb/Br) | Cu NiPdAu | LEVEL1-260C-UNLIM | -40 to 85 | 2301 |
| TPS923650D2DSGR | ACTIVE | WSON | DSG | 8 | 3000 | Green (RoHS and no Sb/Br) | Cu NiPdAu | LEVEL1-260C-UNLIM | -40 to 85 | 2302 |
| TPS923650D1DGNR | ACTIVE | HVSSOP | DGN | 8 | 2500 | Green (RoHS and no Sb/Br) | Cu NiPdAu | LEVEL1-260C-UNLIM | -40 to 85 | 2301 |
| TPS923650D2DGNR | ACTIVE | HVSSOP | DGN | 8 | 2500 | Green (RoHS and no Sb/Br) | Cu NiPdAu | LEVEL1-260C-UNLIM | -40 to 85 | 2302 |
| TPS923650D1DRLR | ACTIVE | SOT583 | DRL | 8 | 4000 | Green (RoHS and no Sb/Br) | Cu NiPdAu | LEVEL1-260C-UNLIM | -40 to 85 | 2301 |
| TPS923650D2DRLR | ACTIVE | SOT583 | DRL | 8 | 4000 | Green (RoHS and no Sb/Br) | Cu NiPdAu | LEVEL1-260C-UNLIM | -40 to 85 | 2302 |

- (1) The marketing status values are defined as follows:
ACTIVE: Product device recommended for new designs.
LIFEBUY: TI has announced that the device will be discontinued, and a lifetime-buy period is in effect.
NRND: Not recommended for new designs. Device is in production to support existing customers, but TI does not recommend using this part in a new design.
PRE_PROD Unannounced device, not in production, not available for mass market, nor on the web, samples not available.
PREVIEW: Device has been announced but is not in production. Samples may or may not be available.
OBSOLETE: TI has discontinued the production of the device.
- (2) Eco Plan - The planned eco-friendly classification: Pb-Free (RoHS), Pb-Free (RoHS Exempt), or Green (RoHS & no Sb/Br) - please check <http://www.ti.com/productcontent> for the latest availability information and additional product content details.
TBD: The Pb-Free/Green conversion plan has not been defined.
Pb-Free (RoHS): TI's terms "Lead-Free" or "Pb-Free" mean semiconductor products that are compatible with the current RoHS requirements for all 6 substances, including the requirement that lead not exceed 0.1% by weight in homogeneous materials. Where designed to be soldered at high temperatures, TI Pb-Free products are suitable for use in specified lead-free processes.
Pb-Free (RoHS Exempt): This component has a RoHS exemption for either 1) lead-based flip-chip solder bumps used between the die and package, or 2) lead-based die adhesive used between the die and leadframe. The component is otherwise considered Pb-Free (RoHS compatible) as defined above.
Green (RoHS & no Sb/Br): TI defines "Green" to mean Pb-Free (RoHS compatible), and free of Bromine (Br) and Antimony (Sb) based flame retardants (Br or Sb do not exceed 0.1% by weight in homogeneous material)
- (3) MSL, Peak Temp. -- The Moisture Sensitivity Level rating according to the JEDEC industry standard classifications, and peak solder temperature.
- (4) Lead/Ball Finish - Orderable Devices may have multiple material finish options. Finish options are separated by a vertical ruled line. Lead/Ball Finish values may wrap to two lines if the finish value exceeds the maximum column width.
- (5) There may be additional marking, which relates to the logo, the lot trace code information, or the environmental category on the device
- (6) Multiple Device markings will be inside parentheses. Only one Device Marking contained in parentheses and separated by a "~" will appear on a device. If a line is indented then it is a continuation of the previous line and the two combined represent the entire Device Marking for that device.
Important Information and Disclaimer: The information provided on this page represents TI's knowledge and belief as of the date that it is provided. TI bases its knowledge and belief on information provided by third parties, and makes no representation or warranty as to the accuracy of such information. Efforts are underway to better integrate information from third parties. TI has taken and continues to take reasonable steps to provide representative and accurate information but may not have conducted destructive testing or chemical analysis on incoming materials and chemicals. TI and TI suppliers consider certain information to be proprietary, and thus CAS numbers and other limited information may not be available for release.
 In no event shall TI's liability arising out of such information exceed the total purchase price of the TI part(s) at issue in this document sold by TI to Customer on an annual basis.

11.2 Tape and Reel Information

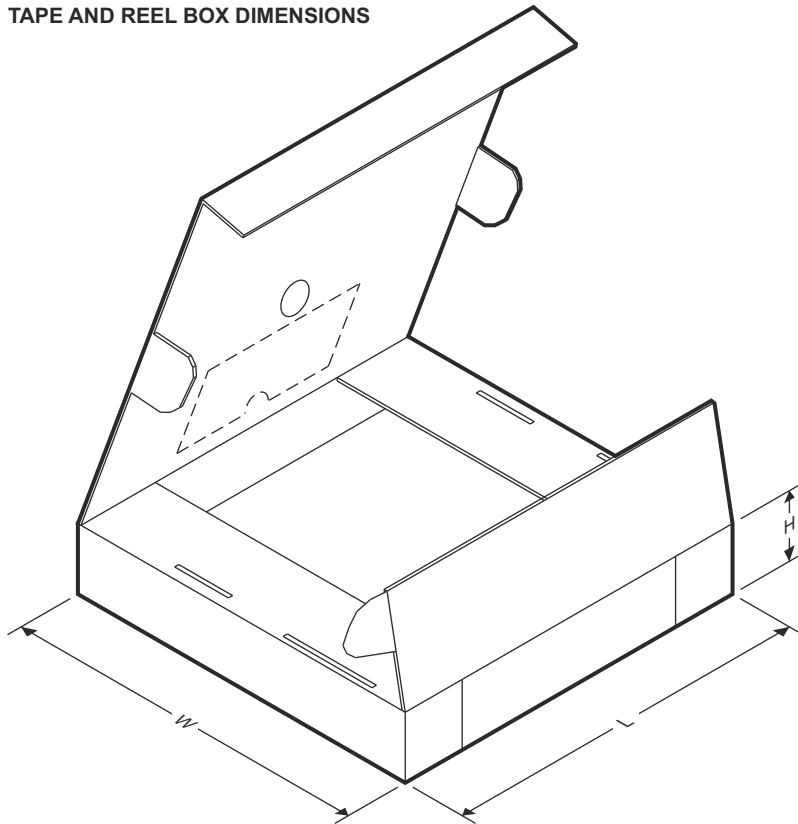


QUADRANT ASSIGNMENTS FOR PIN 1 ORIENTATION IN TAPE



| Device | Package Type | Package Drawing | Pins | SPQ | Reel Diameter (mm) | Reel Width W1 (mm) | A0 (mm) | B0 (mm) | K0 (mm) | P1 (mm) | W (mm) | Pin1 Quadrant |
|-----------------|--------------|-----------------|------|------|--------------------|--------------------|---------|---------|---------|---------|--------|---------------|
| TPS923651D1DSGR | WSO | DSG | 8 | 3000 | 180.0 | 8.4 | 2.3 | 2.3 | 1.15 | 4.0 | 8.0 | Q2 |
| TPS923651D2DSGR | WSO | DSG | 8 | 3000 | 180.0 | 8.4 | 2.3 | 2.3 | 1.15 | 4.0 | 8.0 | Q2 |
| TPS923651D1DGNR | HVSSOP | DGN | 8 | 2500 | 330.0 | 12.4 | 5.3 | 3.4 | 1.4 | 8.0 | 12.0 | Q1 |
| TPS923651D2DGNR | HVSSOP | DGN | 8 | 2500 | 330.0 | 12.4 | 5.3 | 3.4 | 1.4 | 8.0 | 12.0 | Q1 |
| TPS923650D1DSGR | WSO | DSG | 8 | 3000 | 180.0 | 8.4 | 2.3 | 2.3 | 1.15 | 4.0 | 8.0 | Q2 |
| TPS923650D2DSGR | WSO | DSG | 8 | 3000 | 180.0 | 8.4 | 2.3 | 2.3 | 1.15 | 4.0 | 8.0 | Q2 |
| TPS923650D1DGNR | HVSSOP | DGN | 8 | 2500 | 330.0 | 12.4 | 5.3 | 3.4 | 1.4 | 8.0 | 12.0 | Q1 |
| TPS923650D2DGNR | HVSSOP | DGN | 8 | 2500 | 330.0 | 12.4 | 5.3 | 3.4 | 1.4 | 8.0 | 12.0 | Q1 |
| TPS923650D1DRLR | SOT583 | DRL | 8 | 4000 | 180.0 | 8.4 | 2.75 | 1.9 | 0.8 | 4.0 | 8.0 | Q3 |
| TPS923650D2DRLR | SOT583 | DRL | 8 | 4000 | 180.0 | 8.4 | 2.75 | 1.9 | 0.8 | 4.0 | 8.0 | Q3 |

TAPE AND REEL BOX DIMENSIONS



| Device | Package Type | Package Drawing | Pins | SPQ | Length (mm) | Width (mm) | Height (mm) |
|-----------------|--------------|-----------------|------|------|-------------|------------|-------------|
| TPS923651D1DSGR | WSON | DSG | 8 | 3000 | 210.0 | 185.0 | 35.0 |
| TPS923651D2DSGR | WSON | DSG | 8 | 3000 | 210.0 | 185.0 | 35.0 |
| TPS923651D1DGNR | HVSSOP | DGN | 8 | 2500 | 356.0 | 356.0 | 35.0 |
| TPS923651D2DGNR | HVSSOP | DGN | 8 | 2500 | 356.0 | 356.0 | 35.0 |
| TPS923650D1DSGR | WSON | DSG | 8 | 3000 | 210.0 | 185.0 | 35.0 |
| TPS923650D2DSGR | WSON | DSG | 8 | 3000 | 210.0 | 185.0 | 35.0 |
| TPS923650D1DGNR | HVSSOP | DGN | 8 | 2500 | 356.0 | 356.0 | 35.0 |
| TPS923650D2DGNR | HVSSOP | DGN | 8 | 2500 | 356.0 | 356.0 | 35.0 |
| TPS923650D1DRLR | SOT583 | DRL | 8 | 4000 | 210.0 | 185.0 | 35.0 |
| TPS923650D2DRLR | SOT583 | DRL | 8 | 4000 | 210.0 | 185.0 | 35.0 |

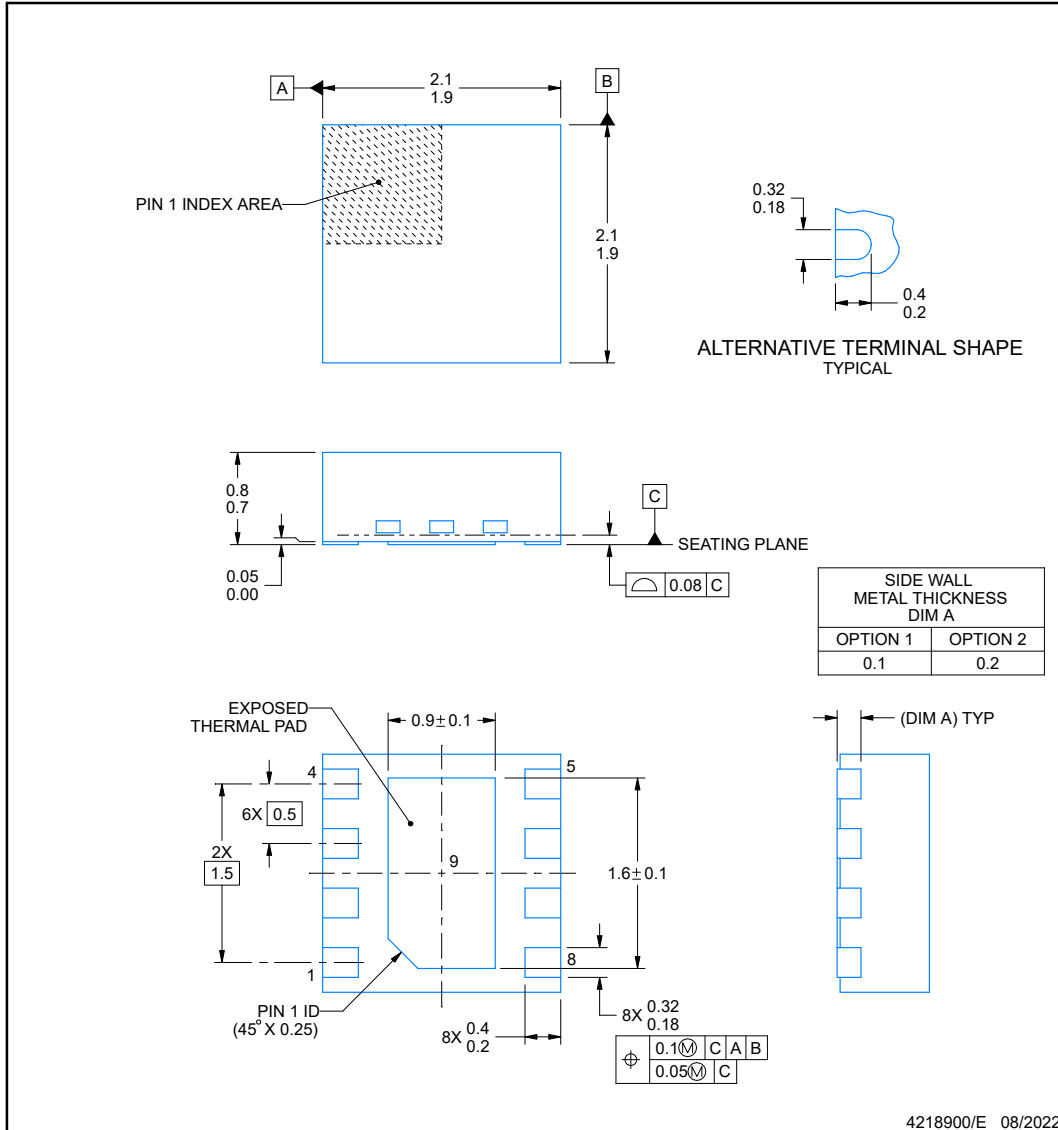


DSG0008A

PACKAGE OUTLINE

WSON - 0.8 mm max height

PLASTIC SMALL OUTLINE - NO LEAD



NOTES:

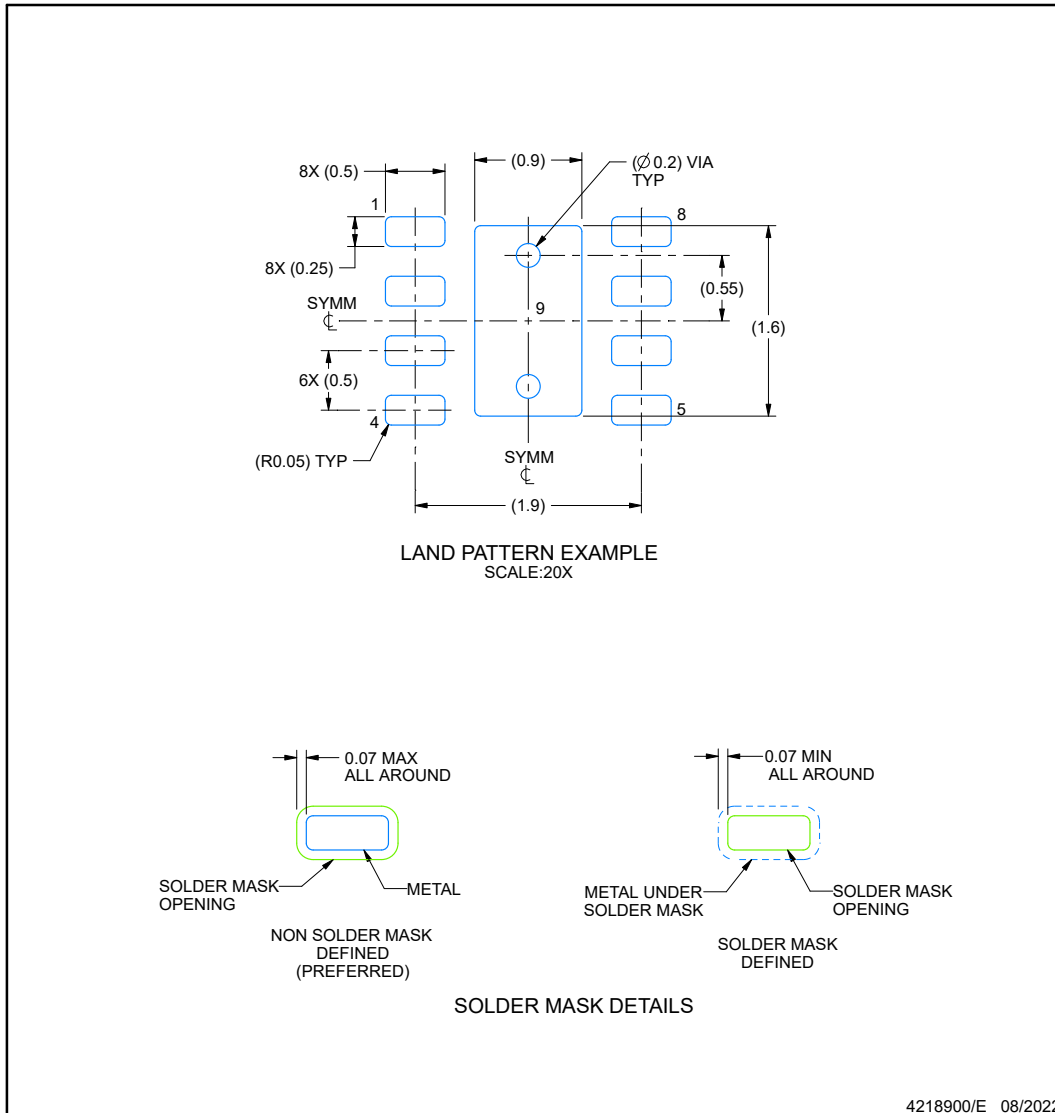
1. All linear dimensions are in millimeters. Any dimensions in parenthesis are for reference only. Dimensioning and tolerancing per ASME Y14.5M.
2. This drawing is subject to change without notice.
3. The package thermal pad must be soldered to the printed circuit board for thermal and mechanical performance.

EXAMPLE BOARD LAYOUT

DSG0008A

WSON - 0.8 mm max height

PLASTIC SMALL OUTLINE - NO LEAD



NOTES: (continued)

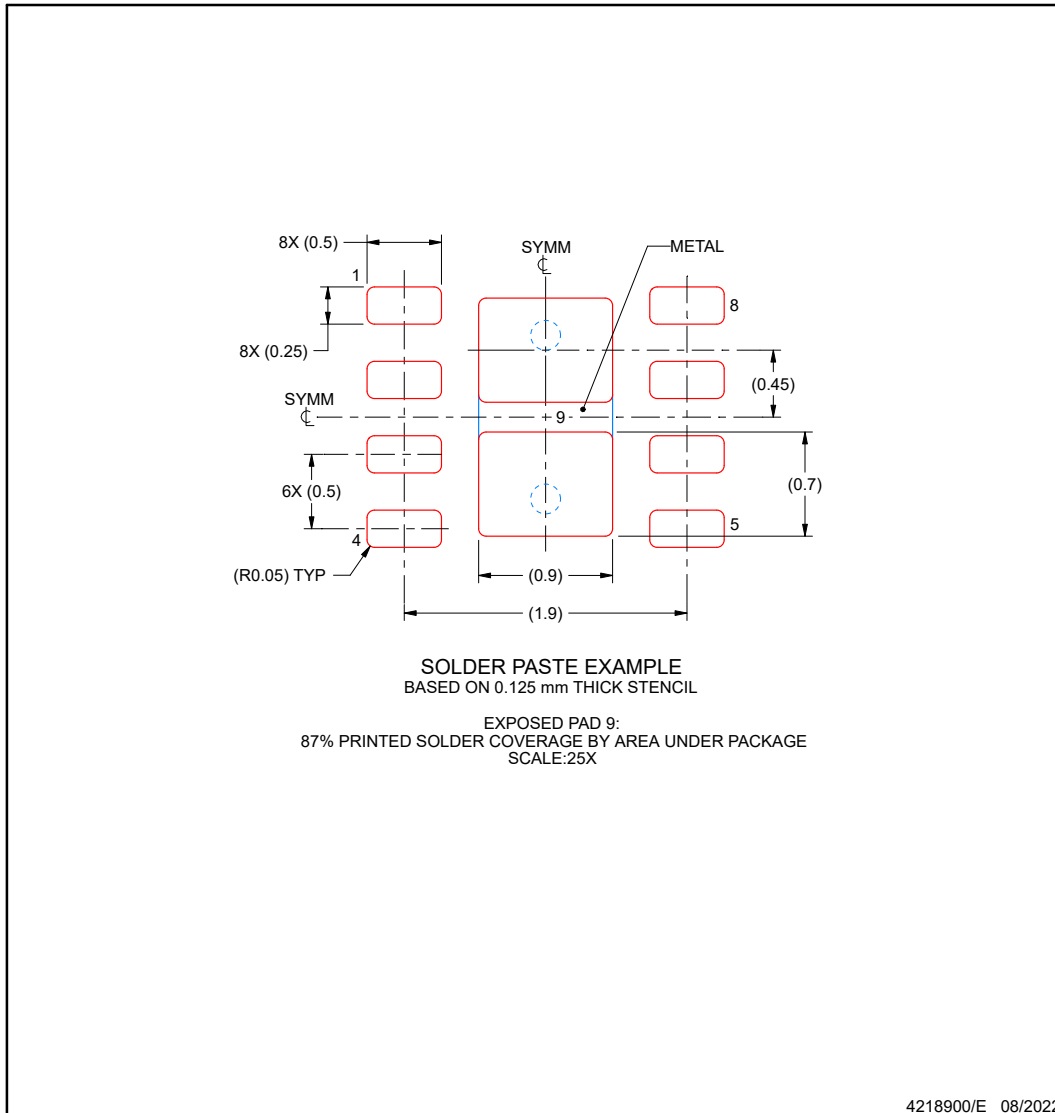
4. This package is designed to be soldered to a thermal pad on the board. For more information, see Texas Instruments literature number SLUA271 (www.ti.com/lit/slua271).
5. Vias are optional depending on application, refer to device data sheet. If any vias are implemented, refer to their locations shown on this view. It is recommended that vias under paste be filled, plugged or tented.

EXAMPLE STENCIL DESIGN

DSG0008A

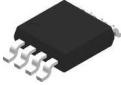
WSON - 0.8 mm max height

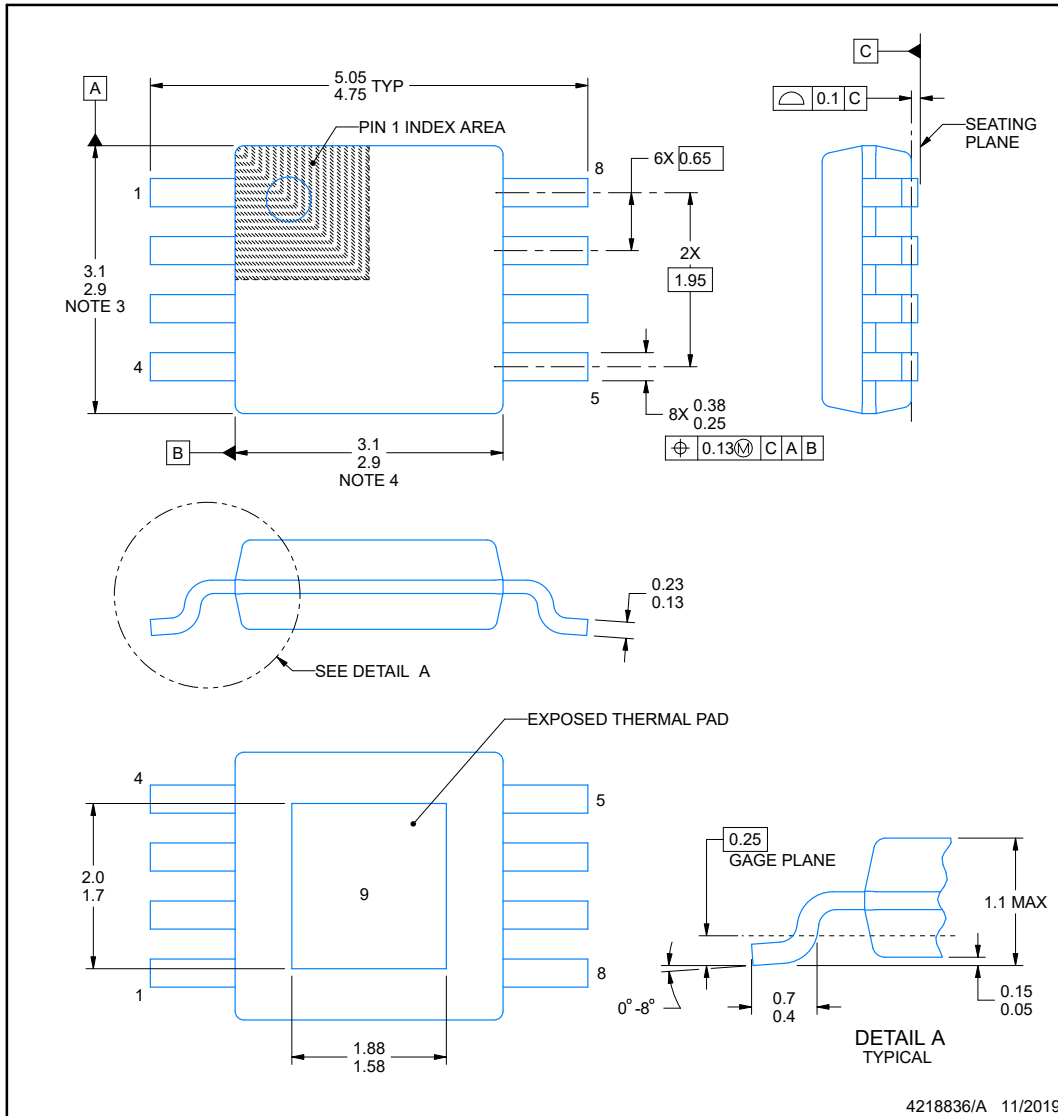
PLASTIC SMALL OUTLINE - NO LEAD



NOTES: (continued)

6. Laser cutting apertures with trapezoidal walls and rounded corners may offer better paste release. IPC-7525 may have alternate design recommendations.

DGN0008A  **PACKAGE OUTLINE**
PowerPAD™ VSSOP - 1.1 mm max height
SMALL OUTLINE PACKAGE



NOTES:

PowerPAD is a trademark of Texas Instruments.

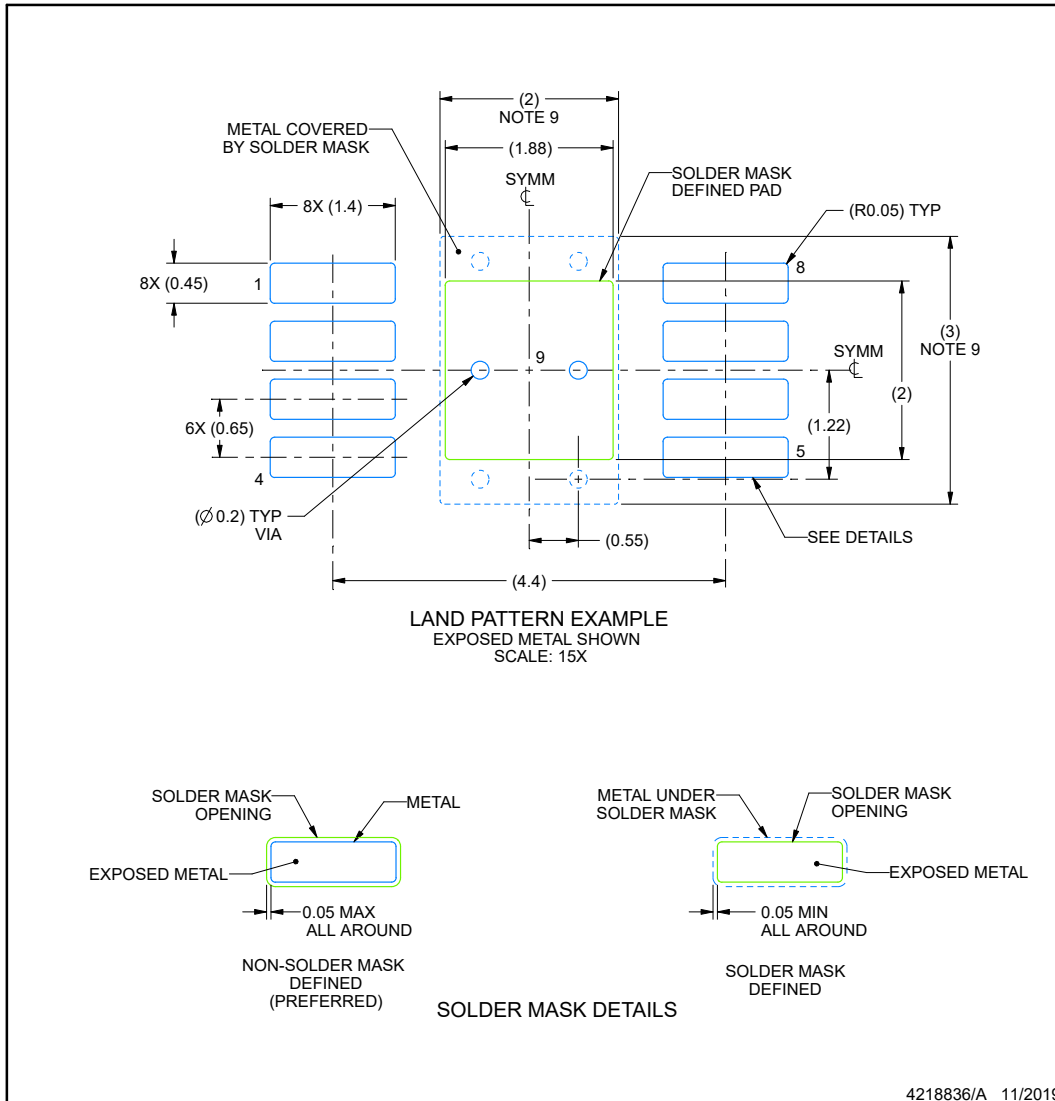
1. All linear dimensions are in millimeters. Any dimensions in parenthesis are for reference only. Dimensioning and tolerancing per ASME Y14.5M.
2. This drawing is subject to change without notice.
3. This dimension does not include mold flash, protrusions, or gate burrs. Mold flash, protrusions, or gate burrs shall not exceed 0.15 mm per side.
4. This dimension does not include interlead flash. Interlead flash shall not exceed 0.25 mm per side.
5. Reference JEDEC registration MO-187.

EXAMPLE BOARD LAYOUT

DGN0008A

PowerPAD™ VSSOP - 1.1 mm max height

SMALL OUTLINE PACKAGE



NOTES: (continued)

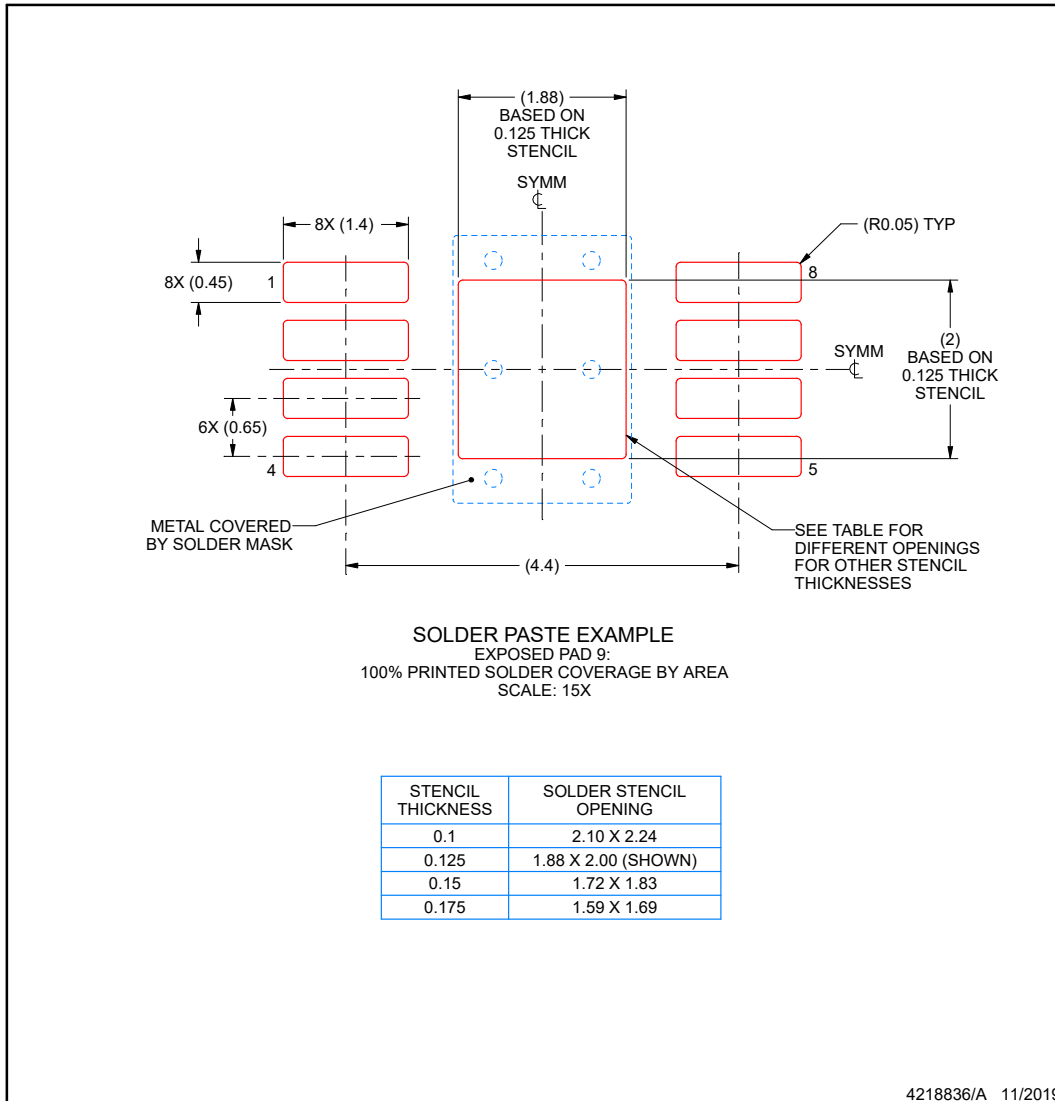
6. Publication IPC-7351 may have alternate designs.
7. Solder mask tolerances between and around signal pads can vary based on board fabrication site.
8. Vias are optional depending on application, refer to device data sheet. If any vias are implemented, refer to their locations shown on this view. It is recommended that vias under paste be filled, plugged or tented.
9. Size of metal pad may vary due to creepage requirement.

EXAMPLE STENCIL DESIGN

DGN0008A

PowerPAD™ VSSOP - 1.1 mm max height

SMALL OUTLINE PACKAGE



NOTES: (continued)

10. Laser cutting apertures with trapezoidal walls and rounded corners may offer better paste release. IPC-7525 may have alternate design recommendations.
11. Board assembly site may have different recommendations for stencil design.

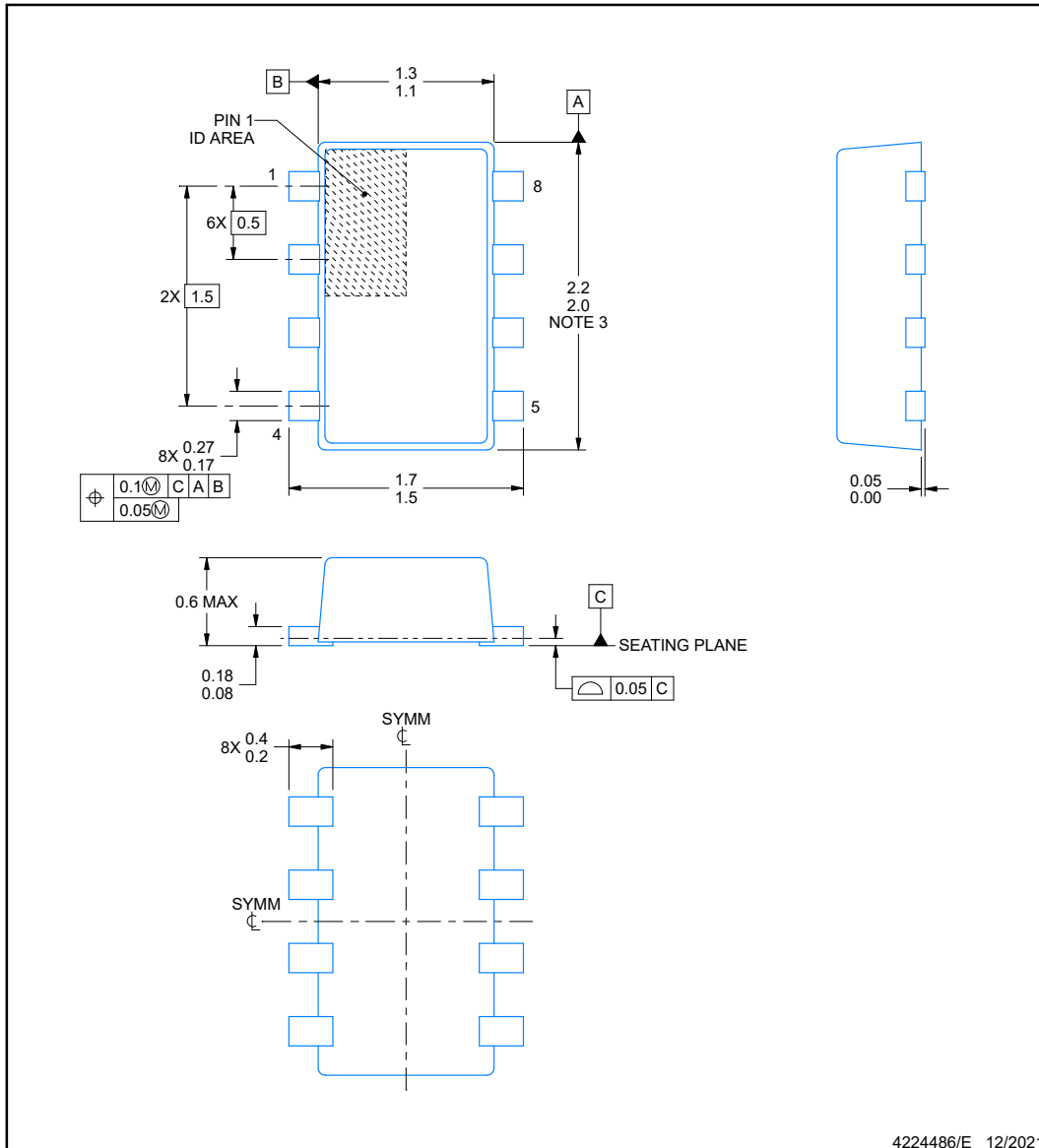


DRL0008A

PACKAGE OUTLINE

SOT-5X3 - 0.6 mm max height

PLASTIC SMALL OUTLINE



4224486/E 12/2021

NOTES:

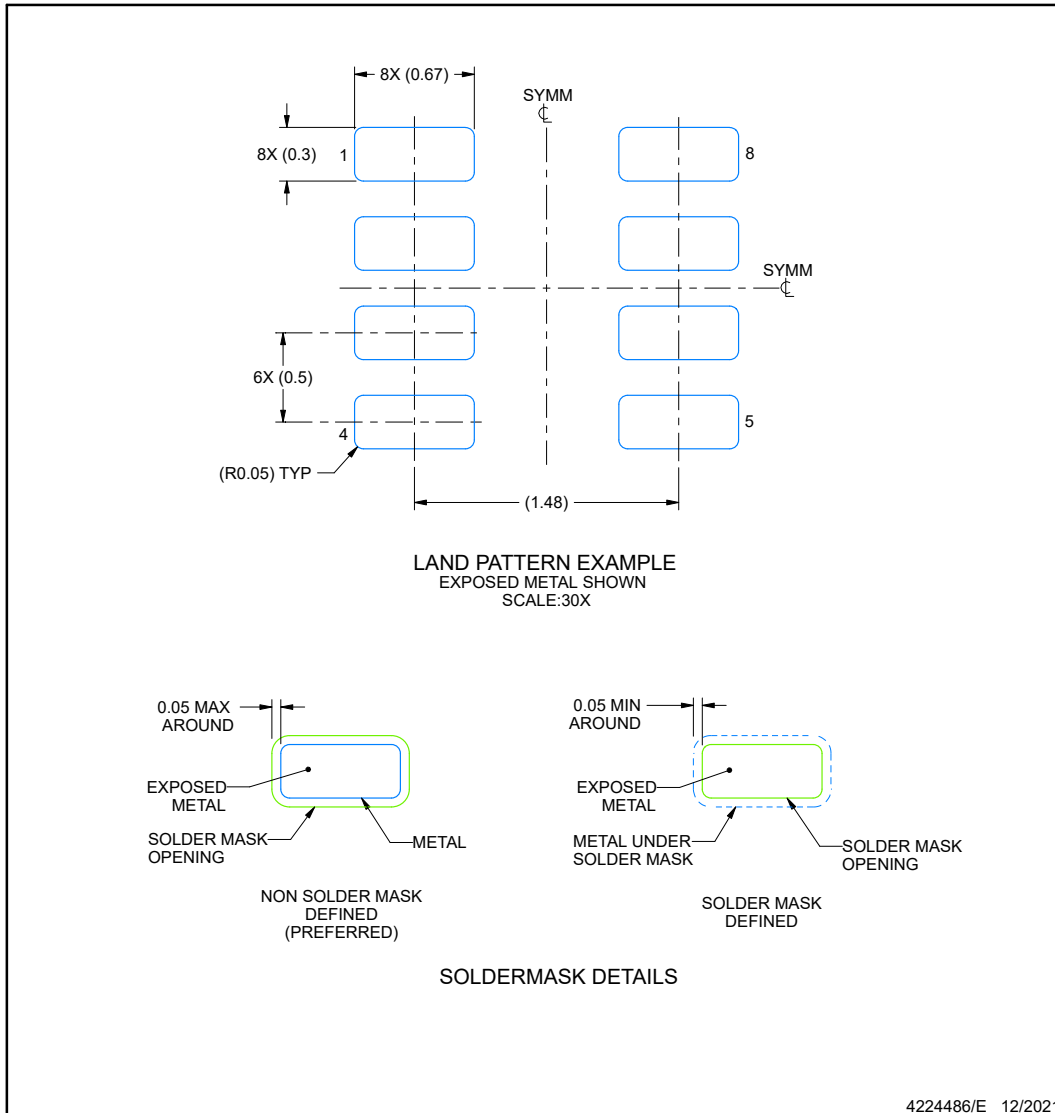
1. All linear dimensions are in millimeters. Any dimensions in parenthesis are for reference only. Dimensioning and tolerancing per ASME Y14.5M.
2. This drawing is subject to change without notice.
3. This dimension does not include mold flash, protrusions, or gate burrs. Mold flash, interlead flash, protrusions, or gate burrs shall not exceed 0.15 mm per side.
4. Reference JEDEC Registration MO-293, Variation UDAD

EXAMPLE BOARD LAYOUT

DRL0008A

SOT-5X3 - 0.6 mm max height

PLASTIC SMALL OUTLINE



NOTES: (continued)

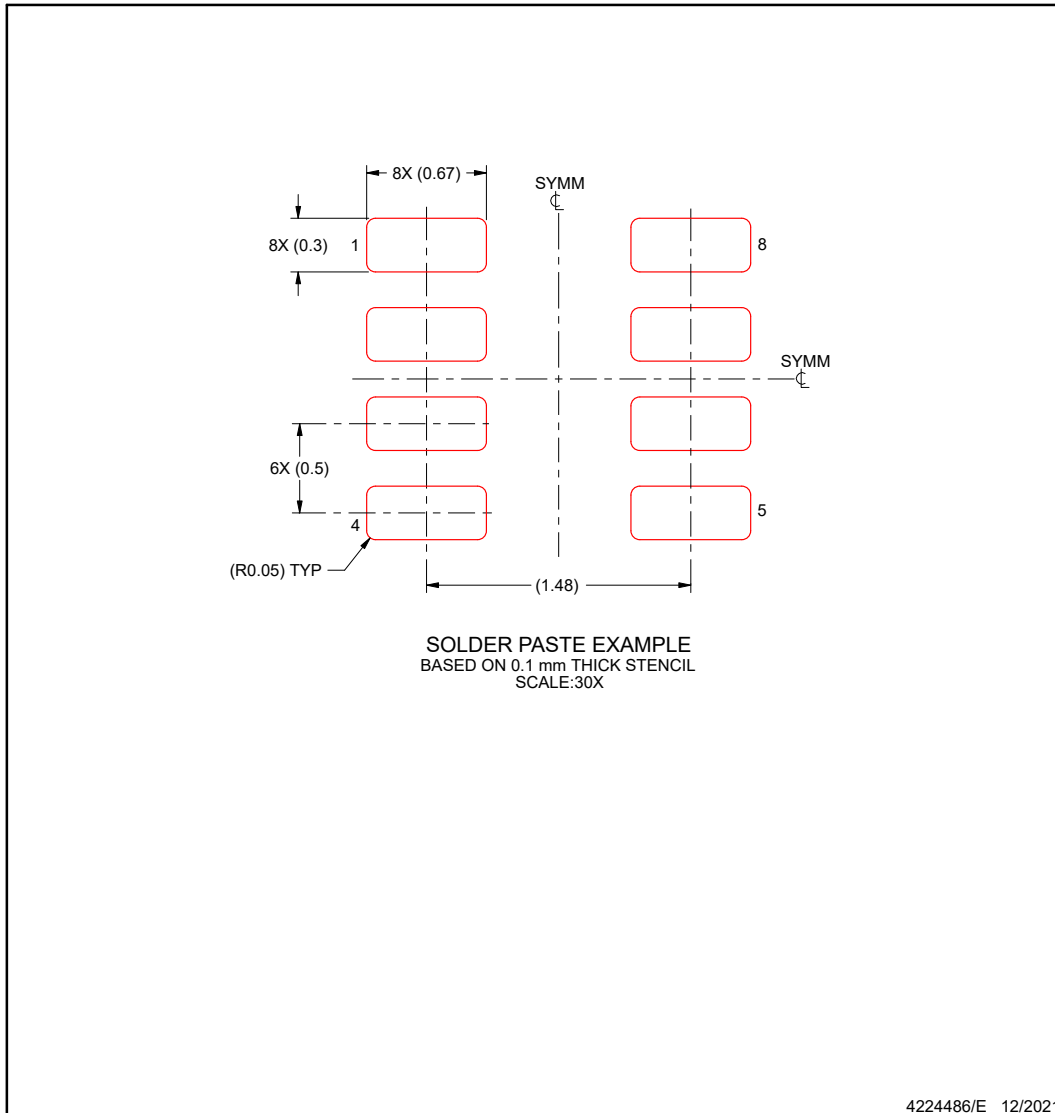
5. Publication IPC-7351 may have alternate designs.
6. Solder mask tolerances between and around signal pads can vary based on board fabrication site.
7. Land pattern design aligns to IPC-610, Bottom Termination Component (BTC) solder joint inspection criteria.

EXAMPLE STENCIL DESIGN

DRL0008A

SOT-5X3 - 0.6 mm max height

PLASTIC SMALL OUTLINE



NOTES: (continued)

- 8. Laser cutting apertures with trapezoidal walls and rounded corners may offer better paste release. IPC-7525 may have alternate design recommendations.
- 9. Board assembly site may have different recommendations for stencil design.

PACKAGING INFORMATION

| Orderable part number | Status (1) | Material type (2) | Package Pins | Package qty Carrier | RoHS (3) | Lead finish/ Ball material (4) | MSL rating/ Peak reflow (5) | Op temp (°C) | Part marking (6) |
|---------------------------------|---------------|----------------------|-------------------|-----------------------|-------------|--------------------------------------|-----------------------------------|------------------------|---------------------|
| TPS923650D1DGNR | Active | Production | HVSSOP (DGN) 8 | 2500 LARGE T&R | Yes | NIPDAU | Level-1-260C-UNLIM | - | 2301 |
| TPS923650D1DRLR | Active | Production | SOT-5X3 (DRL) 8 | 4000 LARGE T&R | Yes | SN | Level-1-260C-UNLIM | - | 2301 |
| TPS923650D1DRLR.A | Active | Production | SOT-5X3 (DRL) 8 | 4000 LARGE T&R | Yes | SN | Level-1-260C-UNLIM | See TPS923650D1DRLR | 2301 |
| TPS923650D1DSGR | Active | Production | WSON (DSG) 8 | 3000 LARGE T&R | Yes | NIPDAU | Level-1-260C-UNLIM | - | 2301 |
| TPS923650D1DSGR.A | Active | Production | WSON (DSG) 8 | 3000 LARGE T&R | Yes | NIPDAU | Level-1-260C-UNLIM | See TPS923650D1DSGR | 2301 |
| TPS923650D2DGNR | Active | Production | HVSSOP (DGN) 8 | 2500 LARGE T&R | Yes | NIPDAU | Level-1-260C-UNLIM | - | 2302 |
| TPS923650D2DRLR | Active | Production | SOT-5X3 (DRL) 8 | 4000 LARGE T&R | Yes | SN | Level-1-260C-UNLIM | - | 2302 |
| TPS923650D2DRLR.A | Active | Production | SOT-5X3 (DRL) 8 | 4000 LARGE T&R | Yes | SN | Level-1-260C-UNLIM | See TPS923650D2DRLR | 2302 |
| TPS923650D2DSGR | Active | Production | WSON (DSG) 8 | 3000 LARGE T&R | Yes | NIPDAU | Level-1-260C-UNLIM | - | 2302 |
| TPS923650D2DSGR.A | Active | Production | WSON (DSG) 8 | 3000 LARGE T&R | Yes | NIPDAU | Level-1-260C-UNLIM | See TPS923650D2DSGR | 2302 |
| TPS923651D1DGNR | Active | Production | HVSSOP (DGN) 8 | 2500 LARGE T&R | Yes | NIPDAU | Level-1-260C-UNLIM | -40 to 85 | 2311 |
| TPS923651D1DSGR | Active | Production | WSON (DSG) 8 | 3000 LARGE T&R | Yes | NIPDAU | Level-1-260C-UNLIM | -40 to 85 | 2311 |
| TPS923651D1DSGR.A | Active | Production | WSON (DSG) 8 | 3000 LARGE T&R | Yes | NIPDAU | Level-1-260C-UNLIM | -40 to 85 | 2311 |
| TPS923651D2DGNR | Active | Production | HVSSOP (DGN) 8 | 2500 LARGE T&R | Yes | NIPDAU | Level-1-260C-UNLIM | -40 to 85 | 2312 |
| TPS923651D2DSGR | Active | Production | WSON (DSG) 8 | 3000 LARGE T&R | Yes | NIPDAU | Level-1-260C-UNLIM | -40 to 85 | 2312 |
| TPS923651D2DSGR.A | Active | Production | WSON (DSG) 8 | 3000 LARGE T&R | Yes | NIPDAU | Level-1-260C-UNLIM | -40 to 85 | 2312 |

(1) **Status:** For more details on status, see our [product life cycle](#).

(2) **Material type:** When designated, preproduction parts are prototypes/experimental devices, and are not yet approved or released for full production. Testing and final process, including without limitation quality assurance, reliability performance testing, and/or process qualification, may not yet be complete, and this item is subject to further changes or possible discontinuation. If available for ordering, purchases will be subject to an additional waiver at checkout, and are intended for early internal evaluation purposes only. These items are sold without warranties of any kind.

(3) **RoHS values:** Yes, No, RoHS Exempt. See the [TI RoHS Statement](#) for additional information and value definition.

(4) **Lead finish/Ball material:** Parts may have multiple material finish options. Finish options are separated by a vertical ruled line. Lead finish/Ball material values may wrap to two lines if the finish value exceeds the maximum column width.

⁽⁵⁾ **MSL rating/Peak reflow:** The moisture sensitivity level ratings and peak solder (reflow) temperatures. In the event that a part has multiple moisture sensitivity ratings, only the lowest level per JEDEC standards is shown. Refer to the shipping label for the actual reflow temperature that will be used to mount the part to the printed circuit board.

⁽⁶⁾ **Part marking:** There may be an additional marking, which relates to the logo, the lot trace code information, or the environmental category of the part.

Multiple part markings will be inside parentheses. Only one part marking contained in parentheses and separated by a "~" will appear on a part. If a line is indented then it is a continuation of the previous line and the two combined represent the entire part marking for that device.

Important Information and Disclaimer: The information provided on this page represents TI's knowledge and belief as of the date that it is provided. TI bases its knowledge and belief on information provided by third parties, and makes no representation or warranty as to the accuracy of such information. Efforts are underway to better integrate information from third parties. TI has taken and continues to take reasonable steps to provide representative and accurate information but may not have conducted destructive testing or chemical analysis on incoming materials and chemicals. TI and TI suppliers consider certain information to be proprietary, and thus CAS numbers and other limited information may not be available for release.

In no event shall TI's liability arising out of such information exceed the total purchase price of the TI part(s) at issue in this document sold by TI to Customer on an annual basis.

GENERIC PACKAGE VIEW

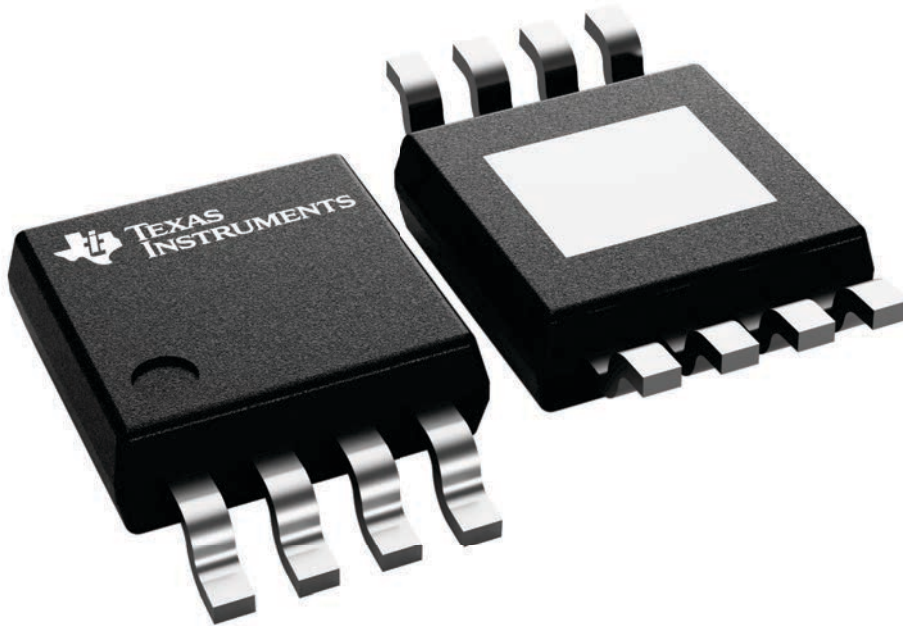
DGN 8

PowerPAD™ HVSSOP - 1.1 mm max height

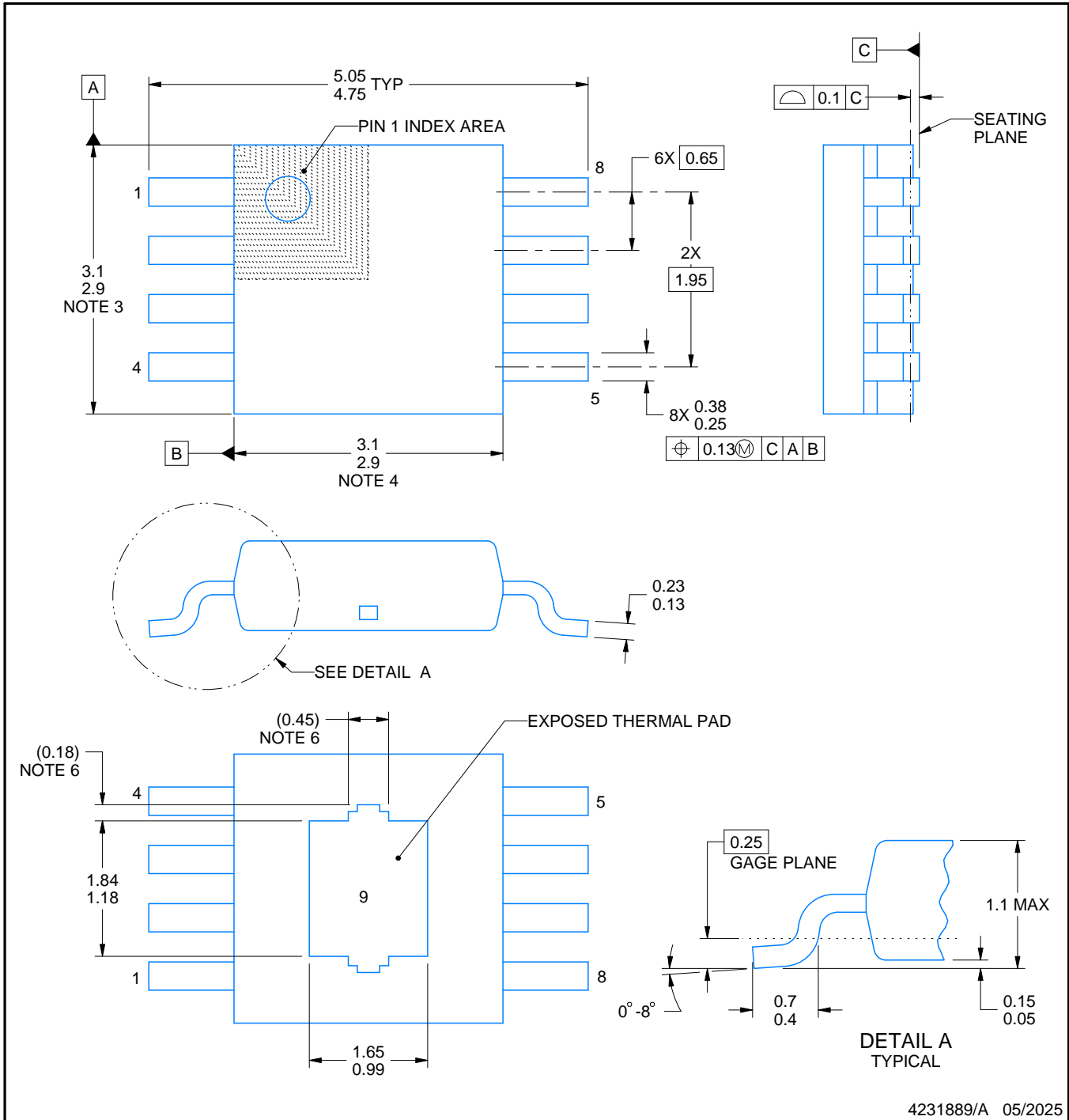
3 x 3, 0.65 mm pitch

SMALL OUTLINE PACKAGE

This image is a representation of the package family, actual package may vary.
Refer to the product data sheet for package details.



4225482/B



4231889/A 05/2025

NOTES:

PowerPAD is a trademark of Texas Instruments.

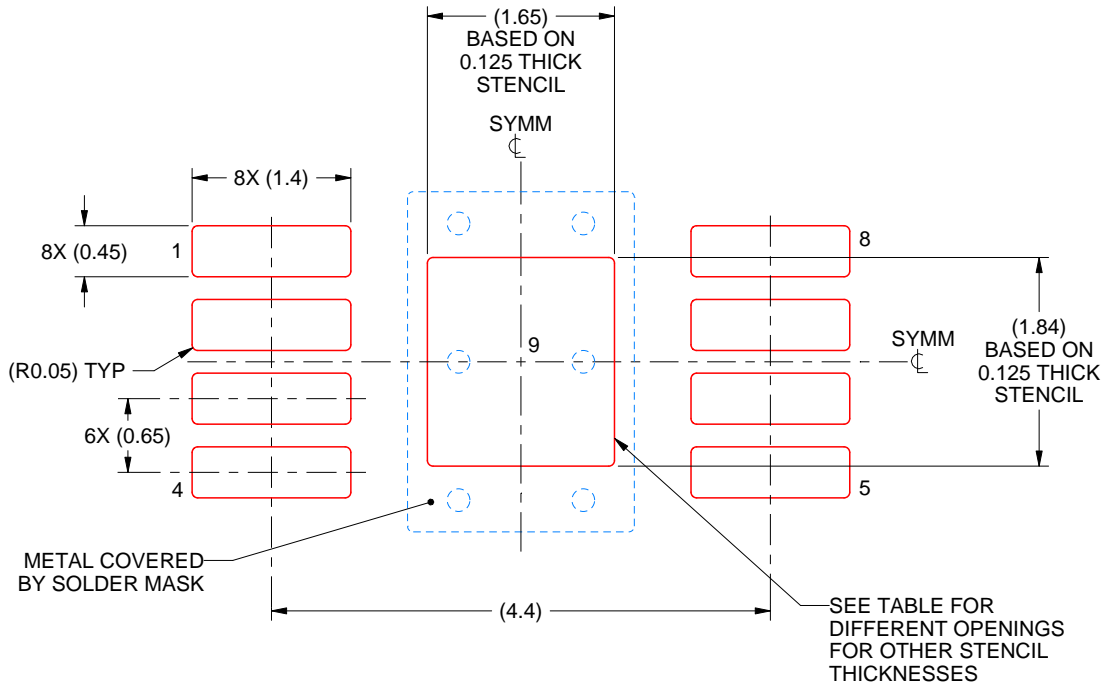
1. All linear dimensions are in millimeters. Any dimensions in parenthesis are for reference only. Dimensioning and tolerancing per ASME Y14.5M.
2. This drawing is subject to change without notice.
3. This dimension does not include mold flash, protrusions, or gate burrs. Mold flash, protrusions, or gate burrs shall not exceed 0.15 mm per side.
4. This dimension does not include interlead flash. Interlead flash shall not exceed 0.25 mm per side.
5. Reference JEDEC registration MO-187.
6. Features may differ or may not be present.

EXAMPLE STENCIL DESIGN

DGN0008K

PowerPAD™ VSSOP - 1.1 mm max height

SMALL OUTLINE PACKAGE



SOLDER PASTE EXAMPLE
 EXPOSED PAD 9:
 100% PRINTED SOLDER COVERAGE BY AREA
 SCALE: 15X

| STENCIL THICKNESS | SOLDER STENCIL OPENING |
|-------------------|------------------------|
| 0.1 | 1.84 X 2.06 |
| 0.125 | 1.65 X 1.84 (SHOWN) |
| 0.15 | 1.51 X 1.68 |
| 0.175 | 1.39 X 1.56 |

4231889/A 05/2025

NOTES: (continued)

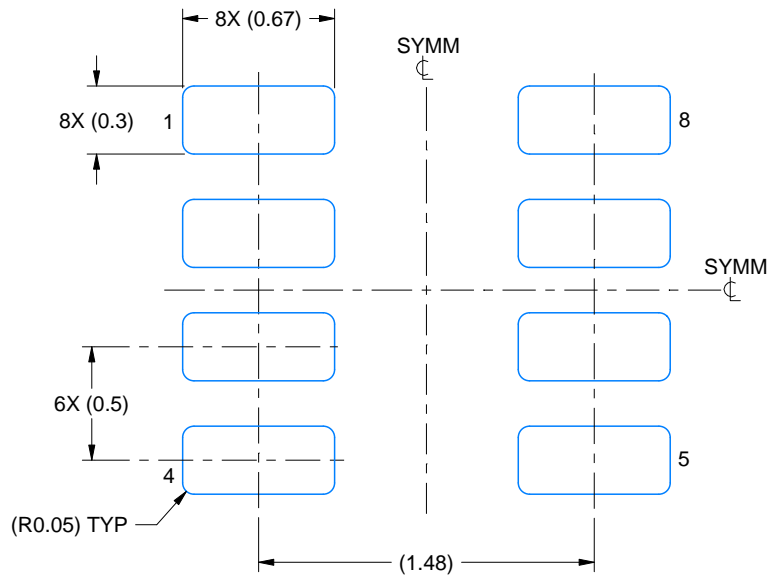
11. Laser cutting apertures with trapezoidal walls and rounded corners may offer better paste release. IPC-7525 may have alternate design recommendations.
12. Board assembly site may have different recommendations for stencil design.

EXAMPLE BOARD LAYOUT

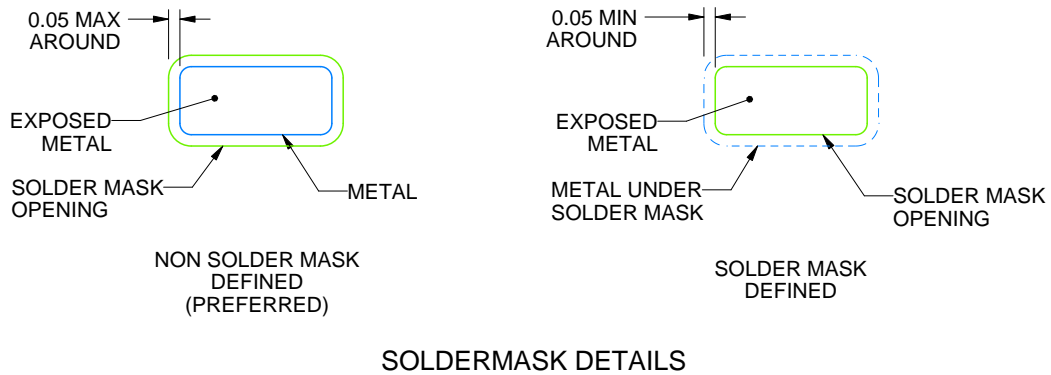
DRL0008A

SOT-5X3 - 0.6 mm max height

PLASTIC SMALL OUTLINE



LAND PATTERN EXAMPLE
EXPOSED METAL SHOWN
SCALE:30X



SOLDERMASK DETAILS

4224486/G 11/2024

NOTES: (continued)

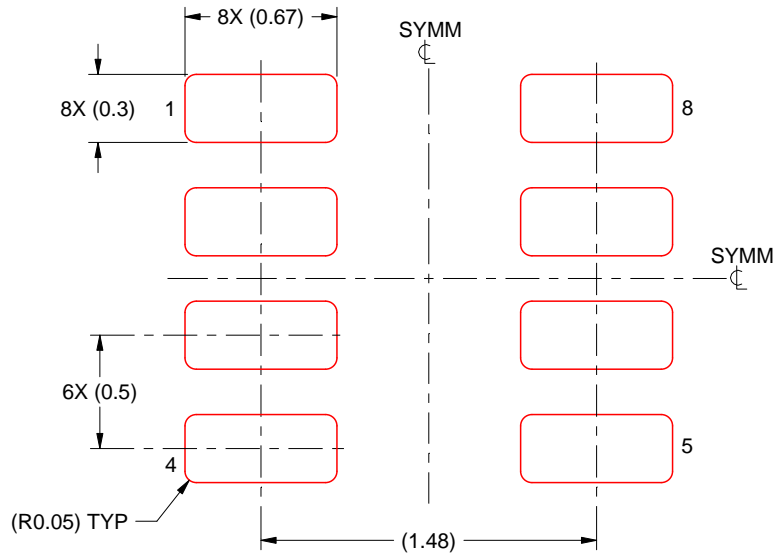
- 5. Publication IPC-7351 may have alternate designs.
- 6. Solder mask tolerances between and around signal pads can vary based on board fabrication site.
- 7. Land pattern design aligns to IPC-610, Bottom Termination Component (BTC) solder joint inspection criteria.

EXAMPLE STENCIL DESIGN

DRL0008A

SOT-5X3 - 0.6 mm max height

PLASTIC SMALL OUTLINE



SOLDER PASTE EXAMPLE
BASED ON 0.1 mm THICK STENCIL
SCALE:30X

4224486/G 11/2024

NOTES: (continued)

8. Laser cutting apertures with trapezoidal walls and rounded corners may offer better paste release. IPC-7525 may have alternate design recommendations.
9. Board assembly site may have different recommendations for stencil design.

GENERIC PACKAGE VIEW

DSG 8

WSON - 0.8 mm max height

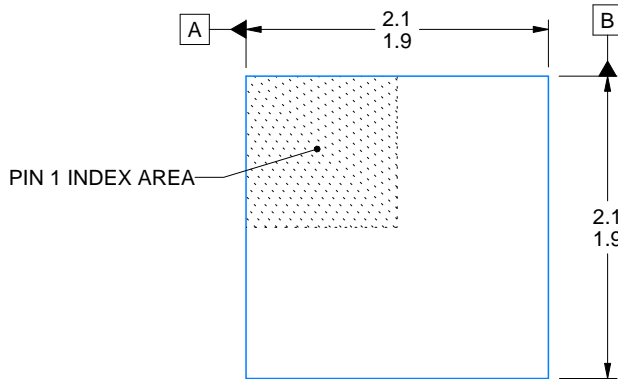
2 x 2, 0.5 mm pitch

PLASTIC SMALL OUTLINE - NO LEAD

This image is a representation of the package family, actual package may vary.
Refer to the product data sheet for package details.



4224783/A



ALTERNATIVE TERMINAL SHAPE TYPICAL



| SIDE WALL METAL THICKNESS DIM A | |
|---------------------------------|----------|
| OPTION 1 | OPTION 2 |
| 0.1 | 0.2 |



4218900/E 08/2022

NOTES:

1. All linear dimensions are in millimeters. Any dimensions in parenthesis are for reference only. Dimensioning and tolerancing per ASME Y14.5M.
2. This drawing is subject to change without notice.
3. The package thermal pad must be soldered to the printed circuit board for thermal and mechanical performance.

EXAMPLE BOARD LAYOUT

DSG0008A

WSON - 0.8 mm max height

PLASTIC SMALL OUTLINE - NO LEAD



LAND PATTERN EXAMPLE
SCALE:20X



SOLDER MASK DETAILS

4218900/E 08/2022

NOTES: (continued)

4. This package is designed to be soldered to a thermal pad on the board. For more information, see Texas Instruments literature number SLUA271 (www.ti.com/lit/slua271).
5. Vias are optional depending on application, refer to device data sheet. If any vias are implemented, refer to their locations shown on this view. It is recommended that vias under paste be filled, plugged or tented.

IMPORTANT NOTICE AND DISCLAIMER

TI PROVIDES TECHNICAL AND RELIABILITY DATA (INCLUDING DATASHEETS), DESIGN RESOURCES (INCLUDING REFERENCE DESIGNS), APPLICATION OR OTHER DESIGN ADVICE, WEB TOOLS, SAFETY INFORMATION, AND OTHER RESOURCES "AS IS" AND WITH ALL FAULTS, AND DISCLAIMS ALL WARRANTIES, EXPRESS AND IMPLIED, INCLUDING WITHOUT LIMITATION ANY IMPLIED WARRANTIES OF MERCHANTABILITY, FITNESS FOR A PARTICULAR PURPOSE OR NON-INFRINGEMENT OF THIRD PARTY INTELLECTUAL PROPERTY RIGHTS.

These resources are intended for skilled developers designing with TI products. You are solely responsible for (1) selecting the appropriate TI products for your application, (2) designing, validating and testing your application, and (3) ensuring your application meets applicable standards, and any other safety, security, regulatory or other requirements.

These resources are subject to change without notice. TI grants you permission to use these resources only for development of an application that uses the TI products described in the resource. Other reproduction and display of these resources is prohibited. No license is granted to any other TI intellectual property right or to any third party intellectual property right. TI disclaims responsibility for, and you fully indemnify TI and its representatives against any claims, damages, costs, losses, and liabilities arising out of your use of these resources.

TI's products are provided subject to [TI's Terms of Sale](#), [TI's General Quality Guidelines](#), or other applicable terms available either on ti.com or provided in conjunction with such TI products. TI's provision of these resources does not expand or otherwise alter TI's applicable warranties or warranty disclaimers for TI products. Unless TI explicitly designates a product as custom or customer-specified, TI products are standard, catalog, general purpose devices.

TI objects to and rejects any additional or different terms you may propose.

Copyright © 2026, Texas Instruments Incorporated

Last updated 10/2025