

# Two-Device mmWave Cascade Automotive 4D Imaging Radar



## Description

This automotive radar is a cascaded 76GHz to 81GHz radar sensor module. This includes two-device cascaded array of AWR2243 devices and an AM2732R radar processor. In this cascaded radar configuration, a primary device distributes a 20GHz local-oscillator (LO) signal to both the primary and secondary devices, allowing these two devices to operate as a single RF transceiver. This enables support for up to 6 transmit (TX) and 8 receive (RX) antenna elements, giving a total number of 48 virtual channels in the MIMO virtual array.

## Get Started

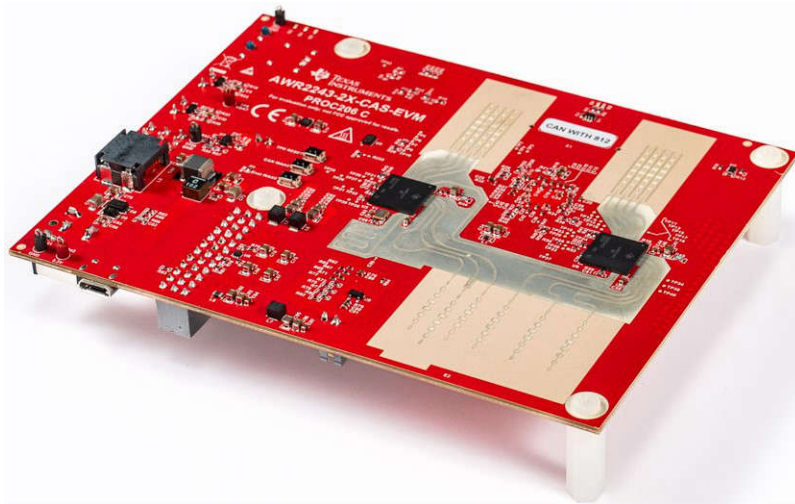
1. Visit [AWR2243-2X-CAS-EVM](#) product page.
2. Navigate to the [Radar Toolbox](#) and install the toolbox to your PC.

## Features

- Imaging radar
- Longer-range TX beamforming and beamsteering
- High angular resolution MIMO
- Power Supply Optimized for Small Size and High Efficiency
- Two-device 76 to 81GHz Automotive Radar Sensor Integrates DSP and MCU and Provides Object Data Over CAN-FD, Ethernet or LVDS
- Wide VIN 36V OFF Battery Supply Tolerates up to 42V
- Diagnostic and Monitoring Functions for ASIL B

## Applications

- [Imaging Radar](#)
- [Long Range Radar](#)
- [Medium or Short Range Radar](#)



# 1 Evaluation Module Overview

## 1.1 Introduction

High resolution images of vehicle surroundings are a requirement for many automotive safety systems. This cascade radar addresses these concerns by combining two 76 to 81GHz radar transceivers, a radar processor, two CAN-FD PHYs, an Ethernet PHY and a low noise power supply. The only two connections that the system requires are the battery power input and CAN-FD or Ethernet for data output.

The radar section of this design utilizes a printed-circuit-board (PCB) etched antenna with 6 transmit elements and 8 receive elements. By using this antenna, a modulated chirp is transmitted and reflections are sampled into the onboard digital signal processor (DSP). With this information, the sensor can record distance, angle, and velocity measurements from objects within the antenna field of view. The design offers a feature to write out the object data to a central electronic control unit (ECU) on the CAN-FD bus at a rate of 5Mb/s, raw data to the LVDS port, or any data up to 100Mb/s over Ethernet PHY.

The two chip AWR2243 cascade Evaluation Module (EVM) uses the AWR2243 mmWave sensing device as a 4D Imaging Radar. Designed with Rogers RO3003, this evaluation board offers high performance and has seamless integration with the DCA1000EVM for direct connectivity, facilitating raw ADC capture and signal processing development. With a focus on user-friendliness and versatility, the EVM can operate in stand alone mode and includes all features that streamline the initiation of software development.

Key attributes of this EVM include longer-range TX beamforming and beamsteering, High angular resolution MIMO, Power Supply Optimized for Small Size and High Efficiency, Two-device 76 to 81GHz Automotive Radar Sensor Integrates DSP and MCU and Provides Object Data Over CAN-FD, Ethernet or LVDS, Wide VIN 36V OFF Battery Supply Tolerates up to 42V, and Diagnostic/Monitoring Functions for ASIL B. Additionally, the EVM incorporates a serial port for programming the onboard QSPI flash and features a 60-pin high-density (HD) connector designed for the capture of raw ADC data from the mmWave radar device.

## 1.2 Kit Contents

AWR2243-2X-CAS-EVM kit includes the following:

- AWR2243-2X-CAS-EVM
- Micro USB cable
- Quick Start Guide
- Warranty card (disclaimer sheet)
- Head Screws
- Hexagon Spacers
- Plain Washers

## 1.3 Specifications

Detect and track objects (such as cars and trucks) up to 250 meters away with velocity of  $\pm 45$  meters per second (m/s).

Antenna azimuth field of view  $\pm 75^\circ$  with azimuth angular resolution of approximately  $3.5^\circ$ .

Demonstrates the following AWR2243 capabilities:

- TX phase shift
- Data compression
- HWA with Doppler division multiple access
- (DDMA) processing chain provided by mmWave SDK

**Table 1-1. Key System Specifications**

FOV azimuth	$\pm 75$ degrees
FOV elevation	$\pm 10$ degrees
Azimuth angle resolution	3.5 degrees
Max range detection (car)	250 meters at $\pm 30$ degrees 100 meters at $\pm 75$ degrees
Range resolution	1.07

**Table 1-1. Key System Specifications (continued)**

<b>FOV azimuth</b>	<b>± 75 degrees</b>
Velocity resolution	0.09m/s
Max velocity	± 45.6m/s
Radar data cube (0.5 compression)	2MB

## 1.4 Device Information

The AWR2243 device is an integrated single-chip FMCW transceiver capable of operation in the 76GHz to 81GHz band. The device enables unprecedented levels of integration in an extremely small form factor. AWR2243 is designed for low power, self-monitored, ultra-accurate radar systems in the automotive space. The AWR2243 device is a self-contained FMCW transceiver single-chip device that simplifies the implementation of Automotive Radar sensors in the band of 76GHz to 81GHz. The device is built on TI's low-power 45nm RFCMOS process, which enables a monolithic implementation of a 3TX, 4RX system with built-in PLL and ADC converters. Simple programming model changes can enable a wide variety of sensor implementation (Short, Mid, Long) with the possibility of dynamic reconfiguration for implementing a multimode sensor. Additionally, the device is provided as a complete platform device including reference hardware design, software drivers, sample configurations, API guide, and user documentation.

The RF and analog subsystem includes the RF and analog circuitry – namely, the synthesizer, PA, LNA, mixer, IF, and ADC. This subsystem also includes the crystal oscillator and temperature sensors. The three transmit channels can be operated simultaneously for transmit beamforming purpose as required; whereas the four receive channels can all be operated simultaneously. The AWR2243 device supports simultaneous operation of 3 transmitters.

## 2 Hardware

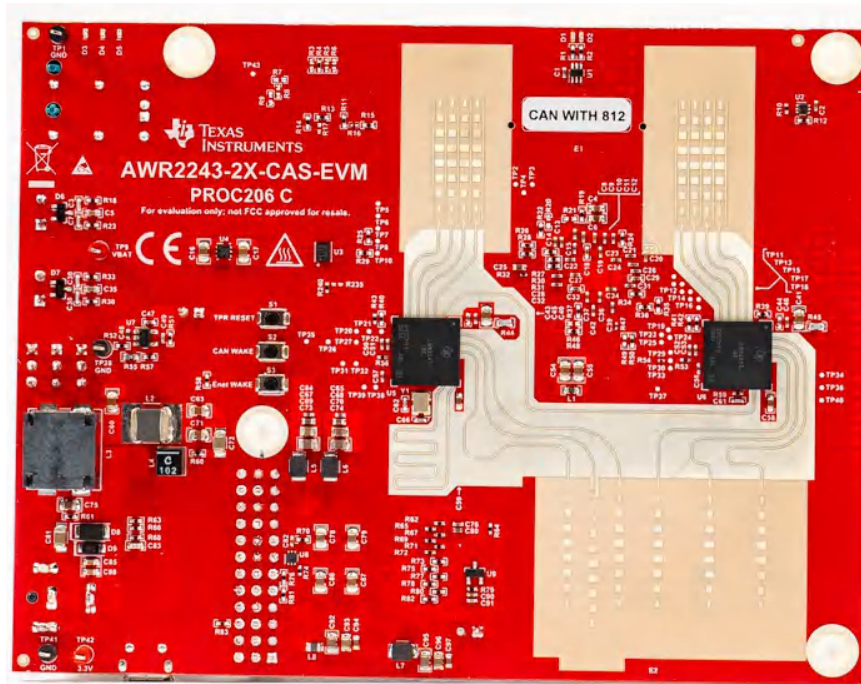


Figure 2-1. Board Side A

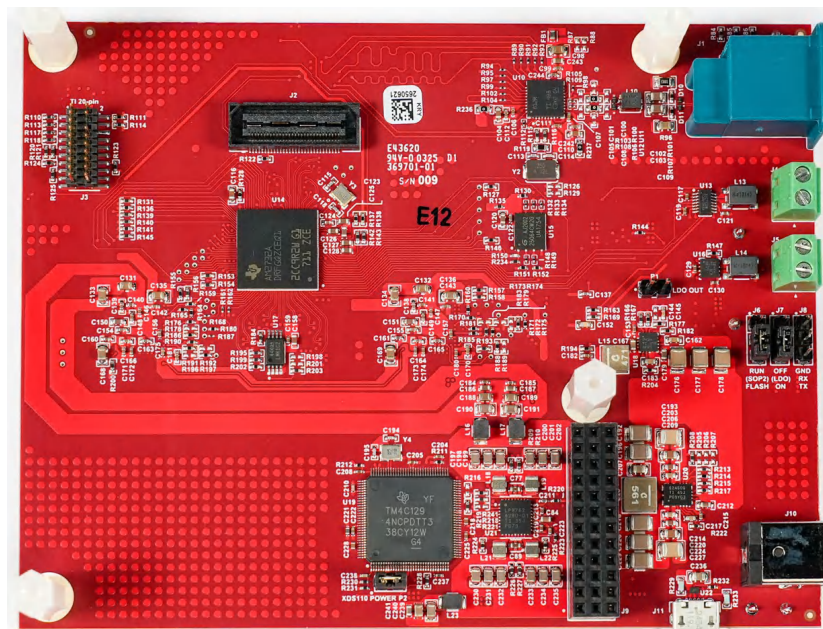
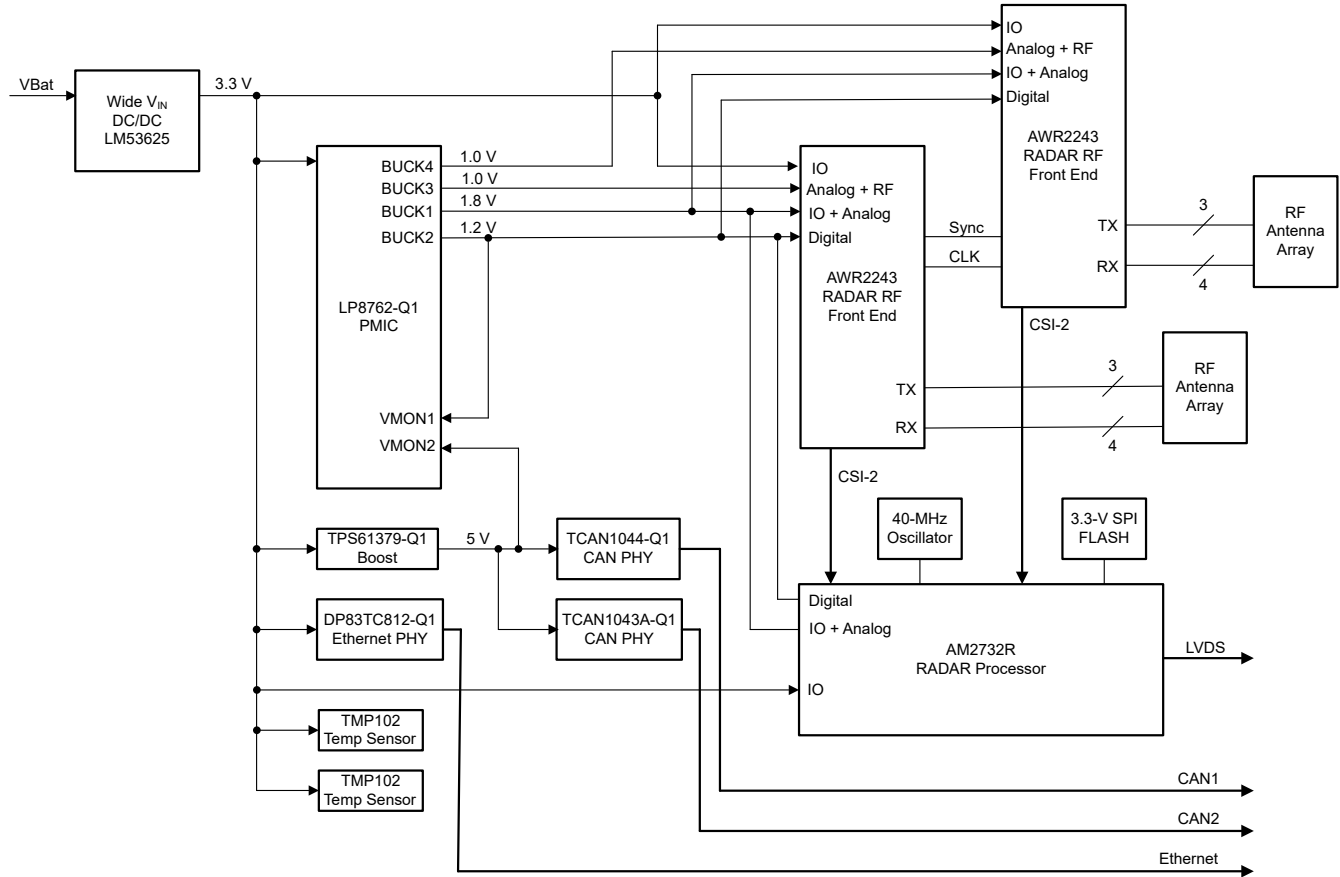


Figure 2-2. Board Side B

## 2.1 Block Diagram



### 2.1.1 Design Considerations

In TX beamforming, beamsteering, and multiple-input, multiple-output/single-input, multiple-output (MIMO/SIMO) use cases, the larger number of antenna elements allows for higher signal-to-noise ratio (SNR) and superior angular resolution compared to a single-device sensor.

This application focuses on corner and front long-range radar systems for multiple functions such as adaptive cruise control (ACC), automated emergency braking (AEB), blind spot detection, front cross-traffic assist, and lane change assist. The design also demonstrates the TI compression engine and hardware accelerator (HWA) capabilities.

The Cascade Radar evaluation board, when combined with a compatible host/data capture board, contains everything needed to start evaluating a single-device, or 2-device cascaded radar solution.

## 2.2 Power Requirements

The battery power connects to the 12V input terminal, J10. The wide VIN buck, LM62460Q1, is used to convert this 12V input to a 3.3V output. The LP876242-Q1 then takes the 3.3V input and creates, 1.8V, 1.2V and 1.0V rails. To maintain a low-noise supply, the 1V rail is filtered to create a clean input rail for the radio frequency (RF) section of the radar.

### 2.2.1 System Design Theory

For systems with additional safety requirements, diagnostic and monitoring features have been included in this reference design.

- **Voltage Monitors (VMON):** The voltage monitoring pins within the LP876242-Q1 have been connected to the 1V2\_FILTERED and 5V rails. In the event of an under voltage or over voltage event, this allows the PMIC to monitor these rails and using SOC\_nRESET\_FROM\_PMIC (GPIO10) issue a hard reset to the SOC. These inputs are low pass filtered to eliminate any short term events that would not adversely affect the operation of the system. The connection of these monitors is made directly at the connection to the radar. This avoids the situation where the ferrite bead in the power filters could fail and not be detected. The VMON thresholds and the actions taken during an OV/UV condition are configured in the Non-Volatile Memory (NVM) settings of the PMIC, and are re-configurable over SPI.
- **Additional Voltage Monitoring:** To monitor the VIN\_RF1 and VIN\_RF2 rails, they are connected to ADC inputs on the SOC. If the rails monitored by the PMIC are functioning correctly, the SOC will be powered and the ADC will be able to monitor the RF rails. The action(s) taken by the SOC during a failure are configurable in software.

## 2.3 Highlighted Products

### 2.3.1 AWR2243

The AWR2243 device is an integrated single-chip FMCW transceiver capable of operation in the 76 to 81GHz band. The device enables unprecedented levels of integration in an extremely small form factor. AWR2243 is an ideal solution for low power, self-monitored, ultra-accurate radar systems in the automotive space.

The AWR2243 device is a self-contained FMCW transceiver single-chip solution that simplifies the implementation of Automotive Radar sensors in the band of 76 to 81GHz. It is built on TI's low-power 45nm RFCMOS process, which enables a monolithic implementation of a 3TX, 4RX system with built-in PLL and ADC converters. Simple programming model changes can enable a wide variety of sensor implementation (Short, Mid, Long) with the possibility of dynamic reconfiguration for implementing a multimode sensor.

### 2.3.2 AM2732R

The AM273x family of microcontrollers is a highly-integrated, high-performance microcontroller based on the Arm Cortex-R5F and a C66x floating-point DSP cores. The device enables Original-Equipment Manufacturers (OEM) and Original-Design Manufacturers (ODM) to quickly bring to market devices with robust software support, rich user interfaces, and high performance, through the maximum flexibility of a fully integrated, mixed processor solution.

With an integrated Hardware Security Module (HSM) and functional safety support built in, large, integrated RAM on die and a wide temperature range, the AM273x offers a safe, secure and cost-effective solution for many industrial and automotive applications

### 2.3.3 LP876242-Q1

The LP876242-Q1 device is designed to meet the power management requirements of the latest processors and platforms in various safety-relevant automotive and industrial applications. The device has four step-down DC/DC converter cores, generating four 1-phase outputs. The device settings can be changed by I2C-compatible serial interface or by a SPI serial interface.

The switching clock is forced to PWM mode and the phases are interleaved. The switching can be synchronized to an external clock and spread-spectrum mode can be enabled to minimize the disturbances.

The LP876242-Q1 device is a power-management integrated circuit (PMIC), available in a 32-pin, 0.5-mm pitch, 5.5-mm × 5-mm QFN HotRod package. The device is designed for powering embedded systems or system on chip (SoC) in Automotive or Industrial applications. All buck converters have the capability to sink up to 1 A, and support dynamic voltage scaling. Double buffered voltage scaling registers enable each BUCK to transition to different voltages during operation by SPI, I2C or state transition. A DPLL enables the BUCK converters to synchronizing to an external clock input, with phase delays between the output rails.

Two I2C interface channels or one SPI channel can be used to configure the power rails and the power state of the LP876242-Q1 device. I2C channel 1 (I2C1) is the main channel with access to the registers that control the configurable power sequencer, the states and the outputs of power rails, and the device operating states.

I2C channel 2 (I2C2), which is available through GPIO2 and GPIO3 pins, is dedicated for accessing the Q&A Watchdog communication registers. When the SPI is configured instead of the two I2C interfaces, the SPI can access all of the registers, including the Q&A Watchdog registers. An NVM option is available to enable I2C1 to access all of the registers as well, including the Q&A Watchdog registers.

LP876242-Q1 device has ten GPIOs each with multiple functions and configurable features. All of the GPIOs, when configured as a general-purpose output pin, can be included in the power-up and power-down sequence and used as enable signals for external resources. In addition, each GPIO can be configured as a wake-up input or a sleep mode trigger. The default configuration of the GPIO port comes from the NVM memory, and can be re-configured by software if the external connection permits.

The LP876242-Q1 device includes a Q&A watchdog to monitor software lockup, and a system error monitoring input (nERR\_MCU) with fault injection option to monitor the lock-step signal of the attached MCU. The device includes protection and diagnostic mechanisms such as short-circuit protection, thermal monitoring

and shutdown. The PMIC can notify the processor of these events through the interrupt signal, allowing the processor to act in response.

### **2.3.4 LM62460-Q1**

The LM6x4xx-Q1 buck regulator family are automotive-focused regulators providing either fixed or an adjustable output voltage which can be set from 1V to 95% of expected input voltage. These regulators operate under a wide input voltage range of 3 to 36V and has transient tolerance up to 42V.

### **2.3.5 TCAN1043A-Q1**

The TCAN1043A-Q1 is a high-speed Controller Area Network (CAN) transceiver that meets the physical layer requirements of the ISO 11898-2:2016 highspeed CAN specification. The device supports both classical CAN and CAN FD data rates up to 8 megabits per second (Mbps).

The TCAN1043A-Q1 allows for system-level reductions in battery current consumption by selectively enabling the various power supplies that may be present on a system via the INH output pin. This allows a low-current sleep state in which power is gated to all system components except for the TCAN1043A-Q1, while monitoring the CAN bus. When a wake-up event is detected, the TCAN1043AQ1 initiates system start-up by driving INH high.

The TCAN1043A-Q1 features an SWE timer that enables a safe transition to Sleep mode after 4 minutes (tINACTIVE) of inactivity in Standby mode. This is designed so that the device is transitioned to low-power Sleep mode if the MCU fails to transition the device to Normal mode.

### **2.3.6 TCAN1044A-Q1**

The TCAN1044A-Q1 is a high speed controller area network (CAN) transceiver that meets the physical layer requirements of the ISO 11898-2:2016 highspeed CAN specification.

The TCAN1044A-Q1 transceiver supports both classical CAN and CAN FD networks up to 8 megabits per second (Mbps). The TCAN1044A-Q1 includes internal logic level translation via the VIO terminal to allow for interfacing the transceiver I/Os directly to 1.8V, 2.5V, 3.3V, or 5V logic I/Os. The transceiver supports a low-power standby mode and wake over CAN compliant to the ISO 11898-2:2016 defined wake-up pattern (WUP). The TCAN1044A-Q1 transceiver also includes protection and diagnostic features supporting thermal-shutdown (TSD), TXDdominant time-out (DTO), supply undervoltage detection, and bus fault protection up to  $\pm 58V$ .

### **2.3.7 TMP102-Q1**

The TMP102-Q1 device is a digital temperature sensor ideal for NTC and PTC thermistor replacement where high accuracy is required. The device offers an accuracy of  $\pm 0.5^{\circ}C$  without requiring calibration or external component signal conditioning. Device temperature sensors are highly linear and do not require complex calculations or lookup tables to derive the temperature. The on-chip 12-bit ADC offers resolutions down to  $0.0625^{\circ}C$ .

The  $1.6mm \times 1.6mm$  SOT563 package is 68% smaller footprint than an SOT23 package. The TMP102-Q1 device features SMBus, two-wire, and I<sup>2</sup>C interface compatibility, and allows up to four devices on one bus. The device also features an SMBus alert function. The device is specified to operate over supply voltages from 1.4V to 3.6V with the maximum quiescent current of 10 $\mu A$  over the full operating range.

The TMP102-Q1 device is designed for extended temperature measurement in a variety of communication, computer, consumer, environmental, industrial, and instrumentation applications. The device is specified for operation over a temperature range of  $-40^{\circ}C$  to  $125^{\circ}C$ .

The TMP102-Q1 production units are 100% tested against sensors that are NIST-traceable and are verified with equipment that are NIST-traceable through ISO/IEC 17025 accredited calibrations.

### **2.3.8 TPS61379-Q1**

The TPS61379-Q1 is a fully integrated synchronous boost converter with load disconnect function integrated. The input voltage covers 2.3V to 14V, while the maximal output voltage is up to 18.5V. The switching current limit is 2A typical. It consumes 25 $\mu A$  quiescent current from VIN.



The TPS61379-Q1 employs the peak current mode control with the switching frequency programmable from 200kHz to 2.2MHz. The device works in fixed frequency PWM operation in medium to heavy load. There are two optional modes in light load by configuring the MODE pin: auto PFM mode and forced PWM to balance the efficiency and noise immunity in light load. The switching frequency can be synchronized to an external clock. The TPS61379-Q1 uses the spread spectrum of the internal clock to be more EMI friendly at FPWM mode. In addition, there is an internal soft-start time to limit the inrush current.

The TPS61379-Q1 has various fixed output voltage versions to save the external feedback resistor. It supports the external loop compensation so that the stability and transient response can be optimized at wider VOUT/VIN ranges. It also integrates robust protection features including the output short protection, output overvoltage protection, and thermal shutdown protection. The TPS61379-Q1 is available in a 3mm × 3mm 16-pin QFN package with wettable flank.

### **2.3.9 DP83TC812-Q1**

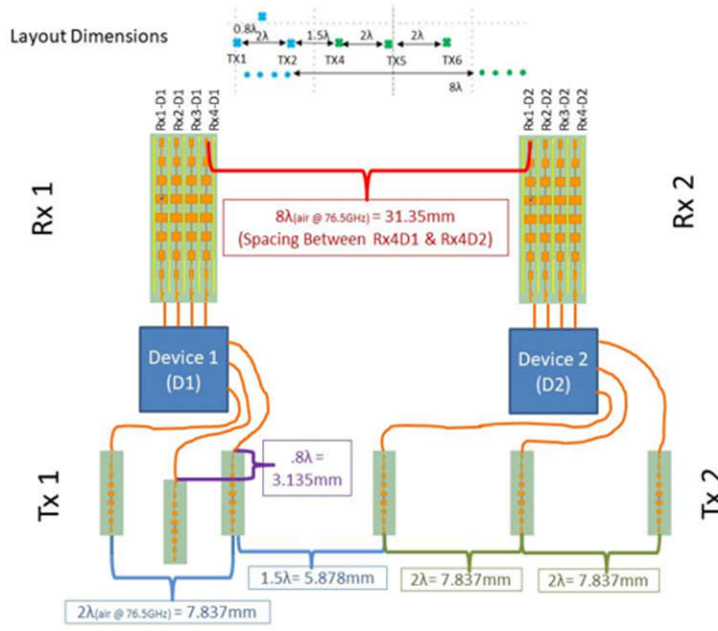
The DP83TC812-Q1 device is an IEEE 802.3bwcompliant automotive PHYTER™ Ethernet physical layer transceiver which can work with Unshielded Twisted Pair cable. The PHY supports TC10 sleep and wake features. It provides all physical layer functions needed to transmit and receive data over unshielded single twisted-pair cables. The device provides xMII flexibility with support for standard MII, RMII, RGMII, and SGMII MAC interfaces. The PHY also integrates a low pass filter on the MDI side to reduce emissions.

This device includes the Diagnostic Tool Kit, providing an extensive list of real-time monitoring tools, debug tools and test modes. Within the tool kit is the first integrated electrostatic discharge (ESD) monitoring tool. It is capable of counting ESD events on MDI as well as providing real-time monitoring through the use of a programmable interrupt. Additionally, the DP83TC812-Q1 includes a pseudo random binary sequence (PRBS) frame generation tool, which is fully compatible with internal loopbacks, to transmit and receive data without the use of a MAC. The device is housed in a 6.00-mm × 6.00-mm, 36-pin VQFN wettable flank package. This device is pin-2-pin compatible with DP83TG720 (1000BASE-T1). It is also form factor compatible with DP83TC811. This would allow for a single PCB layout to be used for DP83TC811, DP83TC812, DP83TC814, and DP83TG720.

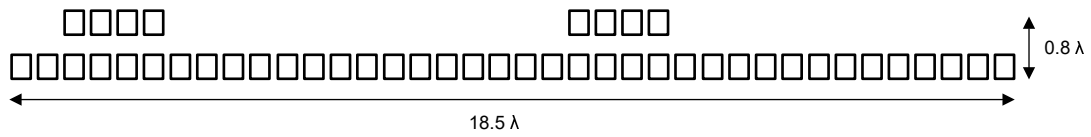
## **2.4 Virtual Antenna Array**

The two-chip cascade EVM consists of 6-TX channels and 8-RX channels as shown in [Figure 2-3](#) giving a total number of 48 virtual channels in the MIMO virtual array. The arrangement of the channels is shown in [Figure 2-4](#) where the MIMO array gives an aperture limited angle resolution of about 3 deg in the azimuth direction.

The antenna element design is shown in [Figure 2-3](#).



**Figure 2-3. TX and RX Channel Spacings**



**Figure 2-4. MIMO Virtual Array**

### 3 Implementation Results

#### 3.1 Performance Data and Results

##### 3.1.1 Angle Resolution Measurement

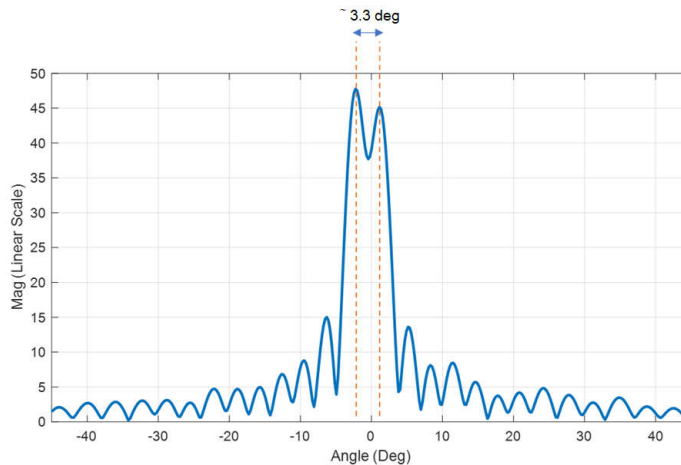
The azimuth angle resolution was measured by using two 10dBsm corner reflectors placed in the same range-bin at a radial distance of about 9.5 meter from the radar. Boresight calibration is applied prior to angle estimation (for example, measurements from a single corner reflector placed at boresight are used to compensate for the inter-channel phase gain mismatch).

The angle estimation was performed using a 512-point FFT. The measured angular spectrum from the range-Doppler bin corresponding to the reflection of the corner reflectors is shown in [Figure 3-1](#) where we can see the peaks corresponding to the two corner reflectors. The measured angular separation between the peaks is about 3.3 deg which is close to the theoretical angular resolution of about 3 deg. Higher angular resolution can be obtained by using more computationally extensive angle estimation methods such as Capon Beamformer or MUSIC.



**Figure 3-1. Corner Reflectors**

Angular spectrum from the range bin corresponding to the two corner reflectors is shown in [Figure 3-2](#).



**Figure 3-2. Angular Resolution Measurement**

## 4 Hardware Design Files

### 4.1 Schematics

To download the schematics, see the design files at [AWR2243-2X-CAS-EVM](#).

### 4.2 PCB Layout Recommendations

#### 4.2.1 20GHz (FMCW) RF LO Sync

This reference design is based on TI's AWR2243 radar chip. Using the 20GHz LO input and output paths, two of these chips are cascaded together and operated synchronously. This requires that the RF LO frequencies of each chip be synchronized. The AWR2243 synthesizer generates LO between 19GHz and 20.25GHz, depending on the programmed chirp RF output frequencies.

The AWR2243 that is designated as the primary, generates a common Local Oscillator (LO) signal (19GHz to 20.25GHz) to be shared across all the transmitters and receivers in the entire cascade system.

The primary AWR2243 is capable of supplying the shared LO signal on two different output pins through two different delay matched amplifiers. Either or both of these signals, FM\_CW\_CLKOUT and FM\_CW\_SYNCOUT, can be used as the source of the LO from the primary to the secondary device. To avoid skew between the LO signals used in both devices, the LO signal input into the primary needs to pass through a trace that is length-matched to the trace between the primary and the secondary devices. As shown in [Figure 4-2](#), one LO signal output is routed with a trace between devices. Then, the other output LO signal from the primary device is looped back to the LO signal input on the primary device using a trace that is the same length.

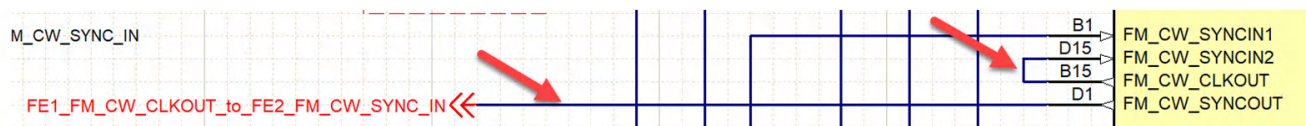


Figure 4-1. LO Clock Signals

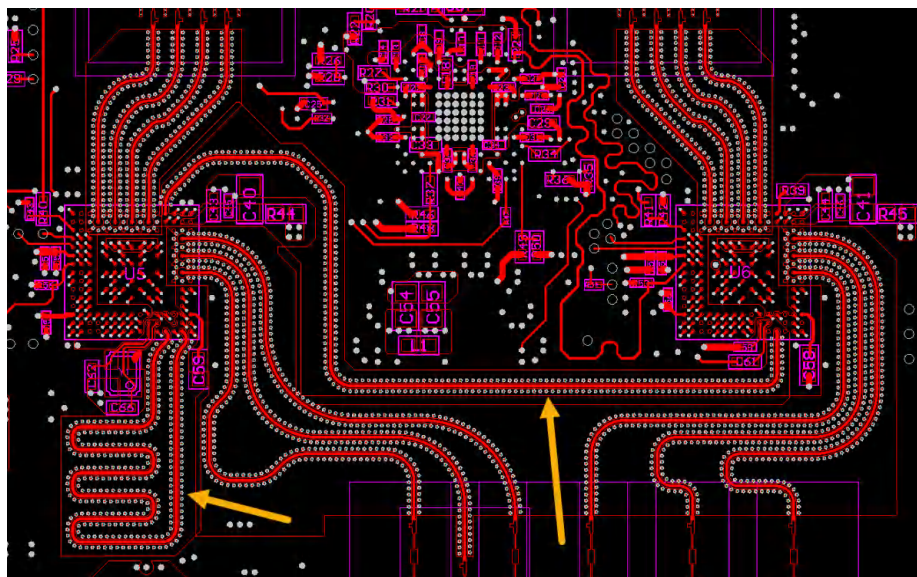


Figure 4-2. LO Clock Routing

### 4.2.2 PCB Layer Stackup

A normal FR4 board material results in unacceptable losses for the 77GHz antenna included in the top two layers of this design. This design uses ceramic material from Rogers Corporation to meet the dielectric requirements. This selection of material results in a lower variation in etched-feature dimensions. With wavelengths of less than 4mm, these tolerances are very important. By routing the 20GHz LO clock (FM\_CW) on the same layer as the antennas, only one RO3003 core is required.

#	Name	Material	Type	Weight	Thickness	Dk
	Top Overlay		Overlay			
	Top Solder	Solder Resist	Solder Mask		1mil	3.5
1	Layer 1 - Top La...		Signal	1oz	1.6mil	
	Dielectric 1	RO3003	Core		5mil	3
2	Layer 2 - GND		Signal	1oz	1.4mil	
	Dielectric 2	370HR	Prepreg		4.8mil	4.2
3	Layer 3 - Signal...		Signal	1/2oz	0.7mil	
	Dielectric 3	370HR	Core		10mil	3.66
4	Layer 4 - GND /...		Signal	1oz	1.4mil	
	Dielectric 4	370HR	Prepreg		5mil	4.2
5	Layer 5 - Signal		Signal	1oz	1.4mil	
	Dielectric 5	370HR	Core		10mil	4.34
6	Layer 6 - PWR /...		Signal	1/2oz	0.7mil	
	Dielectric 6	370HR	Prepreg		4.8mil	4.2
7	Layer 7 - GND		Signal	1oz	1.4mil	
	Dielectric 7	370HR	Core		5mil	4.34
8	Layer 8 - Bottom...		Signal	1oz	1.6mil	
	Bottom Solder	Solder Resist	Solder Mask		1mil	3.5
	Bottom Overlay		Overlay			

Figure 4-3. PCB Layer Stackup

### 4.3 BOM

To download the bill of materials (BOM), see the design files at [AWR2243-2X-CAS-EVM](#).

## 5 Tools and Software

### Tools

[DCA1000EVM](#) Real-time data-capture adapter for radar sensing evaluation module

### Software

[PROCESSOR-SDK-TDAX](#) Processor SDK for TDAx ADAS SoCs – Linux and TI-RTOS Support

[MMWAVE-DEMO-VISUALIZER-CLOUD](#)

[TI RESOURCE EXPLORER](#)

## 6 Related Documentation

1. Texas Instruments, [mmWave Device Firmware Package \(DFP\)](#)
2. Texas Instruments, [AM273x Technical Reference Manual](#)
3. Texas Instruments, [The Fundamentals of Millimeter Wave Radar Sensors](#)
4. Texas Instruments, [Programming Chirp Parameters in TI Radar Devices](#) application note

## Supplemental Content

<a href="#">AWR2243-2X-CAS-EVM</a>	Design Folder
<a href="#">AWR2243, AM2732-Q1</a>	Product Folder
<a href="#">LP876242-Q1, LM62460-Q1</a>	Product Folder
<a href="#">DP83TC812-Q1, DP83TC811-Q1</a>	Product Folder
<a href="#">TCAN1043A-Q1, TCAN1044A-Q1</a>	Product Folder
<a href="#">TMP112-Q1, TPS78401-Q1</a>	Product Folder
<a href="#">TPS61379-Q1, TPS7B8133-Q1</a>	Product Folder

## 7 Additional Information

### 7.1 Trademarks

All trademarks are the property of their respective owners.

## 8 Revision History

NOTE: Page numbers for previous revisions may differ from page numbers in the current version.

DATE	REVISION	NOTES
February 2025	*	Initial release

## STANDARD TERMS FOR EVALUATION MODULES

1. *Delivery:* TI delivers TI evaluation boards, kits, or modules, including any accompanying demonstration software, components, and/or documentation which may be provided together or separately (collectively, an "EVM" or "EVMs") to the User ("User") in accordance with the terms set forth herein. User's acceptance of the EVM is expressly subject to the following terms.
  - 1.1 EVMs are intended solely for product or software developers for use in a research and development setting to facilitate feasibility evaluation, experimentation, or scientific analysis of TI semiconductors products. EVMs have no direct function and are not finished products. EVMs shall not be directly or indirectly assembled as a part or subassembly in any finished product. For clarification, any software or software tools provided with the EVM ("Software") shall not be subject to the terms and conditions set forth herein but rather shall be subject to the applicable terms that accompany such Software
  - 1.2 EVMs are not intended for consumer or household use. EVMs may not be sold, sublicensed, leased, rented, loaned, assigned, or otherwise distributed for commercial purposes by Users, in whole or in part, or used in any finished product or production system.
2. *Limited Warranty and Related Remedies/Disclaimers:*
  - 2.1 These terms do not apply to Software. The warranty, if any, for Software is covered in the applicable Software License Agreement.
  - 2.2 TI warrants that the TI EVM will conform to TI's published specifications for ninety (90) days after the date TI delivers such EVM to User. Notwithstanding the foregoing, TI shall not be liable for a nonconforming EVM if (a) the nonconformity was caused by neglect, misuse or mistreatment by an entity other than TI, including improper installation or testing, or for any EVMs that have been altered or modified in any way by an entity other than TI, (b) the nonconformity resulted from User's design, specifications or instructions for such EVMs or improper system design, or (c) User has not paid on time. Testing and other quality control techniques are used to the extent TI deems necessary. TI does not test all parameters of each EVM. User's claims against TI under this Section 2 are void if User fails to notify TI of any apparent defects in the EVMs within ten (10) business days after delivery, or of any hidden defects with ten (10) business days after the defect has been detected.
  - 2.3 TI's sole liability shall be at its option to repair or replace EVMs that fail to conform to the warranty set forth above, or credit User's account for such EVM. TI's liability under this warranty shall be limited to EVMs that are returned during the warranty period to the address designated by TI and that are determined by TI not to conform to such warranty. If TI elects to repair or replace such EVM, TI shall have a reasonable time to repair such EVM or provide replacements. Repaired EVMs shall be warranted for the remainder of the original warranty period. Replaced EVMs shall be warranted for a new full ninety (90) day warranty period.

### **WARNING**

**Evaluation Kits are intended solely for use by technically qualified, professional electronics experts who are familiar with the dangers and application risks associated with handling electrical mechanical components, systems, and subsystems.**

**User shall operate the Evaluation Kit within TI's recommended guidelines and any applicable legal or environmental requirements as well as reasonable and customary safeguards. Failure to set up and/or operate the Evaluation Kit within TI's recommended guidelines may result in personal injury or death or property damage. Proper set up entails following TI's instructions for electrical ratings of interface circuits such as input, output and electrical loads.**

**NOTE:**

**EXPOSURE TO ELECTROSTATIC DISCHARGE (ESD) MAY CAUSE DEGRADATION OR FAILURE OF THE EVALUATION KIT; TI RECOMMENDS STORAGE OF THE EVALUATION KIT IN A PROTECTIVE ESD BAG.**



### 3 Regulatory Notices:

#### 3.1 United States

##### 3.1.1 Notice applicable to EVMs not FCC-Approved:

**FCC NOTICE:** This kit is designed to allow product developers to evaluate electronic components, circuitry, or software associated with the kit to determine whether to incorporate such items in a finished product and software developers to write software applications for use with the end product. This kit is not a finished product and when assembled may not be resold or otherwise marketed unless all required FCC equipment authorizations are first obtained. Operation is subject to the condition that this product not cause harmful interference to licensed radio stations and that this product accept harmful interference. Unless the assembled kit is designed to operate under part 15, part 18 or part 95 of this chapter, the operator of the kit must operate under the authority of an FCC license holder or must secure an experimental authorization under part 5 of this chapter.

##### 3.1.2 For EVMs annotated as FCC – FEDERAL COMMUNICATIONS COMMISSION Part 15 Compliant:

#### **CAUTION**

This device complies with part 15 of the FCC Rules. Operation is subject to the following two conditions: (1) This device may not cause harmful interference, and (2) this device must accept any interference received, including interference that may cause undesired operation.

Changes or modifications not expressly approved by the party responsible for compliance could void the user's authority to operate the equipment.

#### **FCC Interference Statement for Class A EVM devices**

*NOTE: This equipment has been tested and found to comply with the limits for a Class A digital device, pursuant to part 15 of the FCC Rules. These limits are designed to provide reasonable protection against harmful interference when the equipment is operated in a commercial environment. This equipment generates, uses, and can radiate radio frequency energy and, if not installed and used in accordance with the instruction manual, may cause harmful interference to radio communications. Operation of this equipment in a residential area is likely to cause harmful interference in which case the user will be required to correct the interference at his own expense.*

#### **FCC Interference Statement for Class B EVM devices**

*NOTE: This equipment has been tested and found to comply with the limits for a Class B digital device, pursuant to part 15 of the FCC Rules. These limits are designed to provide reasonable protection against harmful interference in a residential installation. This equipment generates, uses and can radiate radio frequency energy and, if not installed and used in accordance with the instructions, may cause harmful interference to radio communications. However, there is no guarantee that interference will not occur in a particular installation. If this equipment does cause harmful interference to radio or television reception, which can be determined by turning the equipment off and on, the user is encouraged to try to correct the interference by one or more of the following measures:*

- Reorient or relocate the receiving antenna.
- Increase the separation between the equipment and receiver.
- Connect the equipment into an outlet on a circuit different from that to which the receiver is connected.
- Consult the dealer or an experienced radio/TV technician for help.

#### 3.2 Canada

##### 3.2.1 For EVMs issued with an Industry Canada Certificate of Conformance to RSS-210 or RSS-247

#### **Concerning EVMs Including Radio Transmitters:**

This device complies with Industry Canada license-exempt RSSs. Operation is subject to the following two conditions:

(1) this device may not cause interference, and (2) this device must accept any interference, including interference that may cause undesired operation of the device.

#### **Concernant les EVMs avec appareils radio:**

Le présent appareil est conforme aux CNR d'Industrie Canada applicables aux appareils radio exempts de licence. L'exploitation est autorisée aux deux conditions suivantes: (1) l'appareil ne doit pas produire de brouillage, et (2) l'utilisateur de l'appareil doit accepter tout brouillage radioélectrique subi, même si le brouillage est susceptible d'en compromettre le fonctionnement.

#### **Concerning EVMs Including Detachable Antennas:**

Under Industry Canada regulations, this radio transmitter may only operate using an antenna of a type and maximum (or lesser) gain approved for the transmitter by Industry Canada. To reduce potential radio interference to other users, the antenna type and its gain should be so chosen that the equivalent isotropically radiated power (e.i.r.p.) is not more than that necessary for successful communication. This radio transmitter has been approved by Industry Canada to operate with the antenna types listed in the user guide with the maximum permissible gain and required antenna impedance for each antenna type indicated. Antenna types not included in this list, having a gain greater than the maximum gain indicated for that type, are strictly prohibited for use with this device.

### Concernant les EVMs avec antennes détachables

Conformément à la réglementation d'Industrie Canada, le présent émetteur radio peut fonctionner avec une antenne d'un type et d'un gain maximal (ou inférieur) approuvé pour l'émetteur par Industrie Canada. Dans le but de réduire les risques de brouillage radioélectrique à l'intention des autres utilisateurs, il faut choisir le type d'antenne et son gain de sorte que la puissance isotrope rayonnée équivalente (p.i.r.e.) ne dépasse pas l'intensité nécessaire à l'établissement d'une communication satisfaisante. Le présent émetteur radio a été approuvé par Industrie Canada pour fonctionner avec les types d'antenne énumérés dans le manuel d'usage et ayant un gain admissible maximal et l'impédance requise pour chaque type d'antenne. Les types d'antenne non inclus dans cette liste, ou dont le gain est supérieur au gain maximal indiqué, sont strictement interdits pour l'exploitation de l'émetteur.

#### 3.3 Japan

3.3.1 *Notice for EVMs delivered in Japan:* Please see [http://www.tij.co.jp/lstds/ti\\_ja/general/eStore/notice\\_01.page](http://www.tij.co.jp/lstds/ti_ja/general/eStore/notice_01.page) 日本国内に輸入される評価用キット、ボードについては、次のところをご覧ください。

<https://www.ti.com/ja-jp/legal/notice-for-evaluation-kits-delivered-in-japan.html>

3.3.2 *Notice for Users of EVMs Considered "Radio Frequency Products" in Japan:* EVMs entering Japan may not be certified by TI as conforming to Technical Regulations of Radio Law of Japan.

If User uses EVMs in Japan, not certified to Technical Regulations of Radio Law of Japan, User is required to follow the instructions set forth by Radio Law of Japan, which includes, but is not limited to, the instructions below with respect to EVMs (which for the avoidance of doubt are stated strictly for convenience and should be verified by User):

1. Use EVMs in a shielded room or any other test facility as defined in the notification #173 issued by Ministry of Internal Affairs and Communications on March 28, 2006, based on Sub-section 1.1 of Article 6 of the Ministry's Rule for Enforcement of Radio Law of Japan,
2. Use EVMs only after User obtains the license of Test Radio Station as provided in Radio Law of Japan with respect to EVMs, or
3. Use of EVMs only after User obtains the Technical Regulations Conformity Certification as provided in Radio Law of Japan with respect to EVMs. Also, do not transfer EVMs, unless User gives the same notice above to the transferee. Please note that if User does not follow the instructions above, User will be subject to penalties of Radio Law of Japan.

【無線電波を送信する製品の開発キットをお使いになる際の注意事項】 開発キットの中には技術基準適合証明を受けていないものがあります。技術適合証明を受けていないものご使用に際しては、電波法遵守のため、以下のいずれかの措置を取っていただく必要がありますのでご注意ください。

1. 電波法施行規則第6条第1項第1号に基づく平成18年3月28日総務省告示第173号で定められた電波暗室等の試験設備でご使用いただく。
2. 実験局の免許を取得後ご使用いただく。
3. 技術基準適合証明を取得後ご使用いただく。

なお、本製品は、上記の「ご使用にあたっての注意」を譲渡先、移転先に通知しない限り、譲渡、移転できないものとします。

上記を遵守頂けない場合は、電波法の罰則が適用される可能性があることをご留意ください。日本テキサス・イ

ンスツルメンツ株式会社

東京都新宿区西新宿 6 丁目 2 4 番 1 号

西新宿三井ビル

3.3.3 *Notice for EVMs for Power Line Communication:* Please see [http://www.tij.co.jp/lstds/ti\\_ja/general/eStore/notice\\_02.page](http://www.tij.co.jp/lstds/ti_ja/general/eStore/notice_02.page)

電力線搬送波通信についての開発キットをお使いになる際の注意事項については、次のところをご覧ください。 <https://www.ti.com/ja-jp/legal/notice-for-evaluation-kits-for-power-line-communication.html>

#### 3.4 European Union

3.4.1 *For EVMs subject to EU Directive 2014/30/EU (Electromagnetic Compatibility Directive):*

This is a class A product intended for use in environments other than domestic environments that are connected to a low-voltage power-supply network that supplies buildings used for domestic purposes. In a domestic environment this product may cause radio interference in which case the user may be required to take adequate measures.

- 
- 4 *EVM Use Restrictions and Warnings:*
    - 4.1 EVMS ARE NOT FOR USE IN FUNCTIONAL SAFETY AND/OR SAFETY CRITICAL EVALUATIONS, INCLUDING BUT NOT LIMITED TO EVALUATIONS OF LIFE SUPPORT APPLICATIONS.
    - 4.2 User must read and apply the user guide and other available documentation provided by TI regarding the EVM prior to handling or using the EVM, including without limitation any warning or restriction notices. The notices contain important safety information related to, for example, temperatures and voltages.
    - 4.3 *Safety-Related Warnings and Restrictions:*
      - 4.3.1 User shall operate the EVM within TI's recommended specifications and environmental considerations stated in the user guide, other available documentation provided by TI, and any other applicable requirements and employ reasonable and customary safeguards. Exceeding the specified performance ratings and specifications (including but not limited to input and output voltage, current, power, and environmental ranges) for the EVM may cause personal injury or death, or property damage. If there are questions concerning performance ratings and specifications, User should contact a TI field representative prior to connecting interface electronics including input power and intended loads. Any loads applied outside of the specified output range may also result in unintended and/or inaccurate operation and/or possible permanent damage to the EVM and/or interface electronics. Please consult the EVM user guide prior to connecting any load to the EVM output. If there is uncertainty as to the load specification, please contact a TI field representative. During normal operation, even with the inputs and outputs kept within the specified allowable ranges, some circuit components may have elevated case temperatures. These components include but are not limited to linear regulators, switching transistors, pass transistors, current sense resistors, and heat sinks, which can be identified using the information in the associated documentation. When working with the EVM, please be aware that the EVM may become very warm.
      - 4.3.2 EVMs are intended solely for use by technically qualified, professional electronics experts who are familiar with the dangers and application risks associated with handling electrical mechanical components, systems, and subsystems. User assumes all responsibility and liability for proper and safe handling and use of the EVM by User or its employees, affiliates, contractors or designees. User assumes all responsibility and liability to ensure that any interfaces (electronic and/or mechanical) between the EVM and any human body are designed with suitable isolation and means to safely limit accessible leakage currents to minimize the risk of electrical shock hazard. User assumes all responsibility and liability for any improper or unsafe handling or use of the EVM by User or its employees, affiliates, contractors or designees.
    - 4.4 User assumes all responsibility and liability to determine whether the EVM is subject to any applicable international, federal, state, or local laws and regulations related to User's handling and use of the EVM and, if applicable, User assumes all responsibility and liability for compliance in all respects with such laws and regulations. User assumes all responsibility and liability for proper disposal and recycling of the EVM consistent with all applicable international, federal, state, and local requirements.
  5. *Accuracy of Information:* To the extent TI provides information on the availability and function of EVMs, TI attempts to be as accurate as possible. However, TI does not warrant the accuracy of EVM descriptions, EVM availability or other information on its websites as accurate, complete, reliable, current, or error-free.
  6. *Disclaimers:*
    - 6.1 EXCEPT AS SET FORTH ABOVE, EVMS AND ANY MATERIALS PROVIDED WITH THE EVM (INCLUDING, BUT NOT LIMITED TO, REFERENCE DESIGNS AND THE DESIGN OF THE EVM ITSELF) ARE PROVIDED "AS IS" AND "WITH ALL FAULTS." TI DISCLAIMS ALL OTHER WARRANTIES, EXPRESS OR IMPLIED, REGARDING SUCH ITEMS, INCLUDING BUT NOT LIMITED TO ANY EPIDEMIC FAILURE WARRANTY OR IMPLIED WARRANTIES OF MERCHANTABILITY OR FITNESS FOR A PARTICULAR PURPOSE OR NON-INFRINGEMENT OF ANY THIRD PARTY PATENTS, COPYRIGHTS, TRADE SECRETS OR OTHER INTELLECTUAL PROPERTY RIGHTS.
    - 6.2 EXCEPT FOR THE LIMITED RIGHT TO USE THE EVM SET FORTH HEREIN, NOTHING IN THESE TERMS SHALL BE CONSTRUED AS GRANTING OR CONFERRING ANY RIGHTS BY LICENSE, PATENT, OR ANY OTHER INDUSTRIAL OR INTELLECTUAL PROPERTY RIGHT OF TI, ITS SUPPLIERS/LICENSORS OR ANY OTHER THIRD PARTY, TO USE THE EVM IN ANY FINISHED END-USER OR READY-TO-USE FINAL PRODUCT, OR FOR ANY INVENTION, DISCOVERY OR IMPROVEMENT, REGARDLESS OF WHEN MADE, CONCEIVED OR ACQUIRED.
  7. *USER'S INDEMNITY OBLIGATIONS AND REPRESENTATIONS.* USER WILL DEFEND, INDEMNIFY AND HOLD TI, ITS LICENSORS AND THEIR REPRESENTATIVES HARMLESS FROM AND AGAINST ANY AND ALL CLAIMS, DAMAGES, LOSSES, EXPENSES, COSTS AND LIABILITIES (COLLECTIVELY, "CLAIMS") ARISING OUT OF OR IN CONNECTION WITH ANY HANDLING OR USE OF THE EVM THAT IS NOT IN ACCORDANCE WITH THESE TERMS. THIS OBLIGATION SHALL APPLY WHETHER CLAIMS ARISE UNDER STATUTE, REGULATION, OR THE LAW OF TORT, CONTRACT OR ANY OTHER LEGAL THEORY, AND EVEN IF THE EVM FAILS TO PERFORM AS DESCRIBED OR EXPECTED.
-

8. *Limitations on Damages and Liability:*

8.1 *General Limitations.* IN NO EVENT SHALL TI BE LIABLE FOR ANY SPECIAL, COLLATERAL, INDIRECT, PUNITIVE, INCIDENTAL, CONSEQUENTIAL, OR EXEMPLARY DAMAGES IN CONNECTION WITH OR ARISING OUT OF THESE TERMS OR THE USE OF THE EVMS , REGARDLESS OF WHETHER TI HAS BEEN ADVISED OF THE POSSIBILITY OF SUCH DAMAGES. EXCLUDED DAMAGES INCLUDE, BUT ARE NOT LIMITED TO, COST OF REMOVAL OR REINSTALLATION, ANCILLARY COSTS TO THE PROCUREMENT OF SUBSTITUTE GOODS OR SERVICES, RETESTING, OUTSIDE COMPUTER TIME, LABOR COSTS, LOSS OF GOODWILL, LOSS OF PROFITS, LOSS OF SAVINGS, LOSS OF USE, LOSS OF DATA, OR BUSINESS INTERRUPTION. NO CLAIM, SUIT OR ACTION SHALL BE BROUGHT AGAINST TI MORE THAN TWELVE (12) MONTHS AFTER THE EVENT THAT GAVE RISE TO THE CAUSE OF ACTION HAS OCCURRED.

8.2 *Specific Limitations.* IN NO EVENT SHALL TI'S AGGREGATE LIABILITY FROM ANY USE OF AN EVM PROVIDED HEREUNDER, INCLUDING FROM ANY WARRANTY, INDEMNITY OR OTHER OBLIGATION ARISING OUT OF OR IN CONNECTION WITH THESE TERMS, , EXCEED THE TOTAL AMOUNT PAID TO TI BY USER FOR THE PARTICULAR EVM(S) AT ISSUE DURING THE PRIOR TWELVE (12) MONTHS WITH RESPECT TO WHICH LOSSES OR DAMAGES ARE CLAIMED. THE EXISTENCE OF MORE THAN ONE CLAIM SHALL NOT ENLARGE OR EXTEND THIS LIMIT.

9. *Return Policy.* Except as otherwise provided, TI does not offer any refunds, returns, or exchanges. Furthermore, no return of EVM(s) will be accepted if the package has been opened and no return of the EVM(s) will be accepted if they are damaged or otherwise not in a resalable condition. If User feels it has been incorrectly charged for the EVM(s) it ordered or that delivery violates the applicable order, User should contact TI. All refunds will be made in full within thirty (30) working days from the return of the components(s), excluding any postage or packaging costs.

10. *Governing Law:* These terms and conditions shall be governed by and interpreted in accordance with the laws of the State of Texas, without reference to conflict-of-laws principles. User agrees that non-exclusive jurisdiction for any dispute arising out of or relating to these terms and conditions lies within courts located in the State of Texas and consents to venue in Dallas County, Texas. Notwithstanding the foregoing, any judgment may be enforced in any United States or foreign court, and TI may seek injunctive relief in any United States or foreign court.

Mailing Address: Texas Instruments, Post Office Box 655303, Dallas, Texas 75265  
Copyright © 2023, Texas Instruments Incorporated

## IMPORTANT NOTICE AND DISCLAIMER

TI PROVIDES TECHNICAL AND RELIABILITY DATA (INCLUDING DATASHEETS), DESIGN RESOURCES (INCLUDING REFERENCE DESIGNS), APPLICATION OR OTHER DESIGN ADVICE, WEB TOOLS, SAFETY INFORMATION, AND OTHER RESOURCES "AS IS" AND WITH ALL FAULTS, AND DISCLAIMS ALL WARRANTIES, EXPRESS AND IMPLIED, INCLUDING WITHOUT LIMITATION ANY IMPLIED WARRANTIES OF MERCHANTABILITY, FITNESS FOR A PARTICULAR PURPOSE OR NON-INFRINGEMENT OF THIRD PARTY INTELLECTUAL PROPERTY RIGHTS.

These resources are intended for skilled developers designing with TI products. You are solely responsible for (1) selecting the appropriate TI products for your application, (2) designing, validating and testing your application, and (3) ensuring your application meets applicable standards, and any other safety, security, regulatory or other requirements.

These resources are subject to change without notice. TI grants you permission to use these resources only for development of an application that uses the TI products described in the resource. Other reproduction and display of these resources is prohibited. No license is granted to any other TI intellectual property right or to any third party intellectual property right. TI disclaims responsibility for, and you fully indemnify TI and its representatives against any claims, damages, costs, losses, and liabilities arising out of your use of these resources.

TI's products are provided subject to [TI's Terms of Sale](#), [TI's General Quality Guidelines](#), or other applicable terms available either on [ti.com](http://ti.com) or provided in conjunction with such TI products. TI's provision of these resources does not expand or otherwise alter TI's applicable warranties or warranty disclaimers for TI products. Unless TI explicitly designates a product as custom or customer-specified, TI products are standard, catalog, general purpose devices.

TI objects to and rejects any additional or different terms you may propose.

Copyright © 2025, Texas Instruments Incorporated

Last updated 10/2025